

www.xcmg.com

XGC85履带起重机 XGC85 Crawler Crane

Официальный дилер
спецтехники XCMG в России
+7 (495) 641-80-47
info@techno-xcmg.ru

XGC85 履带起重机 XGC85 Crawler Crane

Официальный дилер
спецтехники XCMG в России
+7 (495) 641-80-47
info@techno-xcmg.ru

Официальный дилер
спецтехники XCMG в России
+7 (495) 641-80-47
info@techno-xcmg.ru

Официальный дилер
спецтехники XCMG в России
+7 (495) 641-80-47
info@techno-xcmg.ru

徐工集团工程机械股份有限公司 XCMG CONSTRUCTION MACHINERY CO.,LTD.

地址(Add): 中国江苏省徐州市金山桥经济开发区桃山路19号 邮编(Post Code): 221001
No.19 Taoshan Road, Economic development zone of jinshangqiao,Xuzhou,Jiangsu Province,China
销售电话(Sale Tel): 86 0516-87892094 销售传真(Sale Fax): 86 0516-87892015
服务电话(Service Tel): 86 400-001-5678 服务传真(Service Fax): 86 0516-87892080
备件电话(Service Tel): 86 0516-87892086 备件传真(Service Fax): 86 0516-87892083
服务质量投诉电话(Quality Supervision Tel): 86 0516-87892587
统一服务热线(Unified service hotline): 86 400-110-9999

本印刷品所包含的数据,会随着产品的不断升级而改变,请以实际产品为准
Pictures and data in this catalog will change with the update and modification of products,so please take the actual vehicle as reference.

请垂询
CONTACT

201504



Официальный дилер
спецтехники XCMG в России
+7 (495) 641-80-47
info@techno-xcmg.ru

Официальный дилер
спецтехники XCMG в России
+7 (495) 641-80-47
info@techno-xcmg.ru

Contents 目录

产品亮点 Product highlights	(P02-P02)
主要技术参数 Main technical specification	(P03-P03)
主要零部件 Main parts	(P04-P05)
详细介绍 Detailed introduction	(P06-P11)
工况示意图/标准工况 Working mode illustration/standard mode	(P12-P12)
主臂作业范围图 Boom working area	(P13-P13)
主臂起重性能表 (不带臂端单滑轮及吊钩) Boom lifting capacity (without boom single pulley and hook block)	(P14-P14)
主臂起重性能表 (带臂端单滑轮及吊钩) Boom lifting capacity (with boom single pulley and hook block)	(P15-P15)
臂端单滑轮起重性能表 Boom single pulley lifting capacity	(P16-P17)
主臂起重性能表 (带固定副臂及吊钩) Boom lifting capacity (with fixed jib and hook block)	(P18-P19)
固定副臂作业范围图 Fixed jib working area	(P20-P20)
固定副臂起重性能表 Fixed jib lifting capacity	(P21-P22)
固定副臂起重性能表 (带主臂及吊钩) Fixed jib lifting capacity (with boom and hook block)	(P23-P24)
工作条件及注意 Working conditions and Cautions	(P25-P25)
备忘录 Memo	(P26-P26)



产品亮点 Product highlights

01 运输、拆装优化设计

Optimized design of transport and assembly/disassembly

本机采用一体化运输设计，无需拆解履带梁和底节臂，大大节省运输成本，提高拆装效率。
Basic machine is an integrated transport design, without disassembling track frame and boom base, greatly save transport costs and improve the assembly/disassembly efficiency.

独创人字架自扳起技术，无需油缸，可实现自扳起，实现快速组装。
Unique A-frame gantry self-erection technology, no need of cylinder can achieve self-erection, to realize crane quick assembly.

平衡重单件重量不超过5t，小型辅助起重设备即可完成平衡重组装。
Single counterweight weighing no more than 5t, small auxiliary lifting equipment can achieve complete counterweight assembly.

02 液压系统优化设计

Optimized hydraulic system design

采用集成设计，减少故障点，同时预留开阔的拆装、维修空间。
Integrated design to reduce failure points, while reserve open space for assembly/ disassembly and maintenance.

采用高集成度LUDV主阀，具备多复合操作、合流控制、高低速选择功能，效率保证。
Use of highly integrated LUDV main valve, with the functions of multi-complex operation, control of combined flow, high/low speed selection, to ensure operation efficiency.

可选装行业独有的独立旁路过滤、强力磁性吸附装置，强化液压系统过滤、抗乳化能力。
Optional unique independent bypass filtration in the industry, strong magnetic adsorption device, strengthened hydraulic system filtration, and anti-emulsifying ability.

03 通用化、模块化设计

Universal and modular design

同平台产品固定副臂、臂端单滑轮、两侧平衡重、吊钩、变幅机构、液压泵及主要阀块均能实现通用、互换，大大降低购买、运输及维修成本。
Common platform products with fixed jib, single top, both-sided counterweight hook block, luffing mechanism, hydraulic pump and main valve block can achieve universal and interchangeable use, greatly reduce purchase, transport and maintenance costs.

04 主、副钩一键切换功能(选配)

Main / auxiliary hook one-key-switch-over function (Optional)

可通过一个开关轻松实现主副钩工况的切换，应用范围更广。
One-key-switch is used to easily achieve main/auxiliary hook switch-over, for wider range of applications.



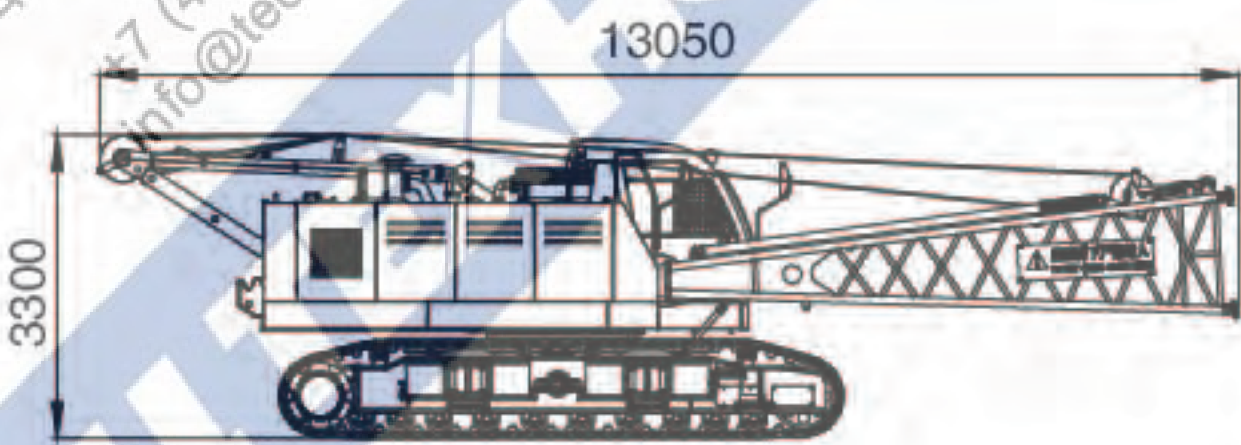
主要技术参数 The main technical parameters



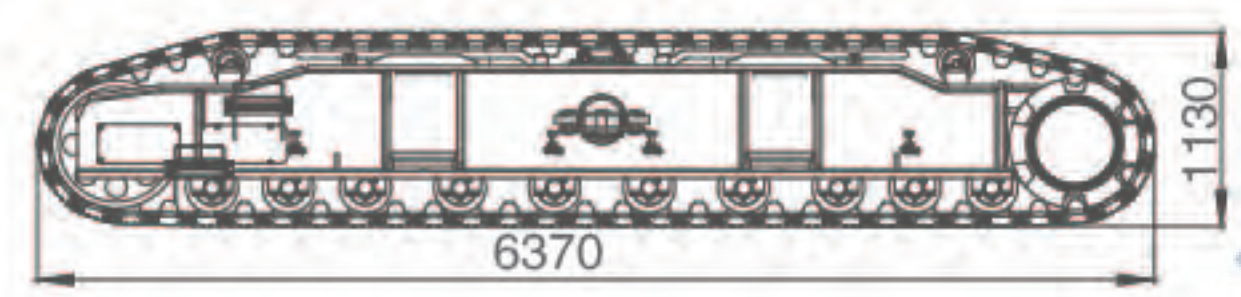
主要零部件 Main parts

项目(Item)	单位(Unit)	数值(Value)
主臂工况 Boom working condition	t	85
管端单滑轮工况 Boom single pulley working condition	t	8
最大额定起重重量 Max. rated lifting capacity	t	12
固定副臂工况 (不带主钩) Fixed jib working condition (without main hook block)	t	12
固定副臂工况 (带主钩) Fixed jib working condition (with main hook block)	t	12
最大起重力矩 Max. load moment	t·m	341
主臂长度 Boom length	m	13-58
主臂变幅角度 Boom luffing angle	°	-3~80
固定副臂长度 Fixed jib length	m	7~19
主臂与固定副臂夹角 Angle between boom and fixed jib	°	10、30
起升机构最大单绳速度 Hoist winch max. single line speed	m/min	120
主臂变幅机构最大单绳速度 Boom luffing winch max. single line speed	m/min	70
最大回转速度 Max. slewing speed	rpm	2.0
最高行驶速度 Max. travelling speed	km/h	0.9
整机质量(基于13m基本臂,85t起重钩) Total vehicle mass (85t hook block, 13m boom)	t	71.5
平均接地比压 Mean ground pressure	MPa	0.087
爬坡度 Grade-ability	-	30%
运输状态单件最大质量 Max. mass of single unit in transport state	t	41.2
运输状态单件(转台)最大尺寸 (长×宽×高) Max. dimension of single unit in transport state (L×W×H)	m	13.05×3.4×3.3

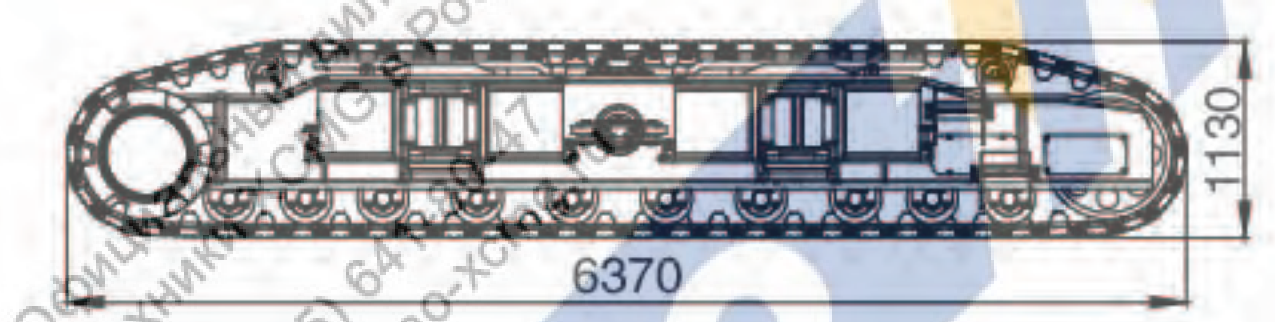
名称	长L(mm)	宽W(mm)	高H(mm)	重量W(t)	数量Quantity
主机运输方案 Basic machine transport plan	13050	3400	3300	41.2	1



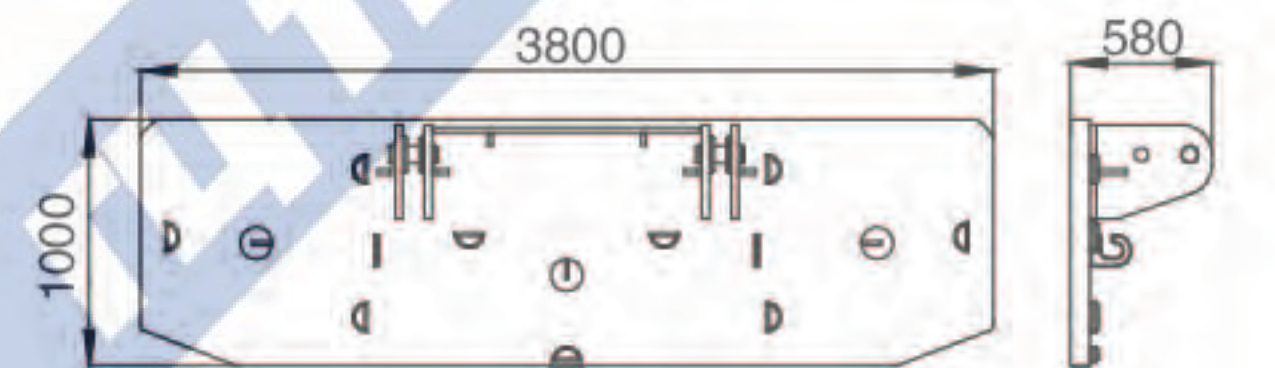
名称	长L(mm)	宽W(mm)	高H(mm)	重量W(t)	数量Quantity
右履带架 Right track frame	6370	1180	1130	9.5	1



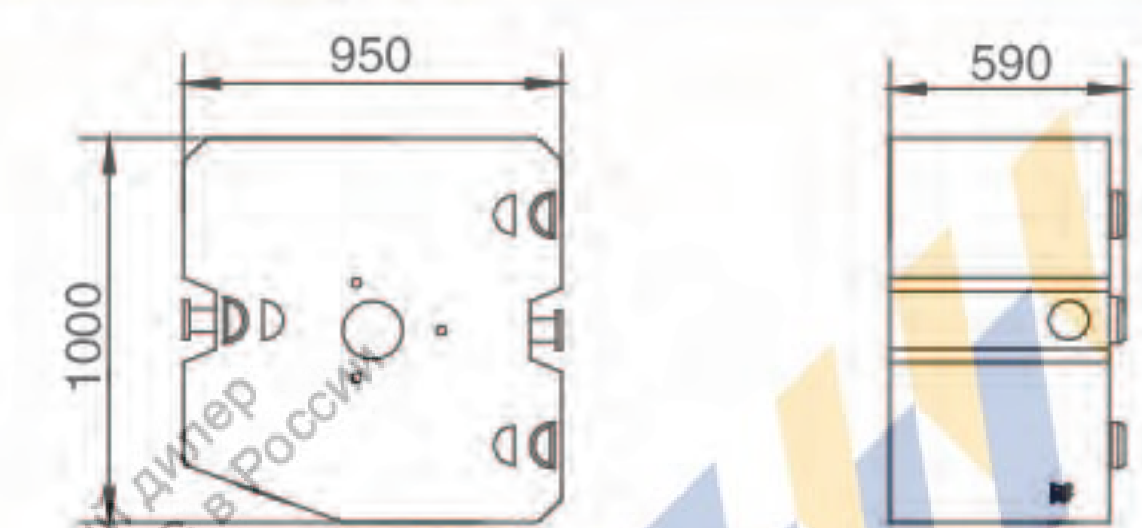
名称	长L(mm)	宽W(mm)	高H(mm)	重量W(t)	数量Quantity
左履带架 Left track frame	6370	1180	1130	9.5	1



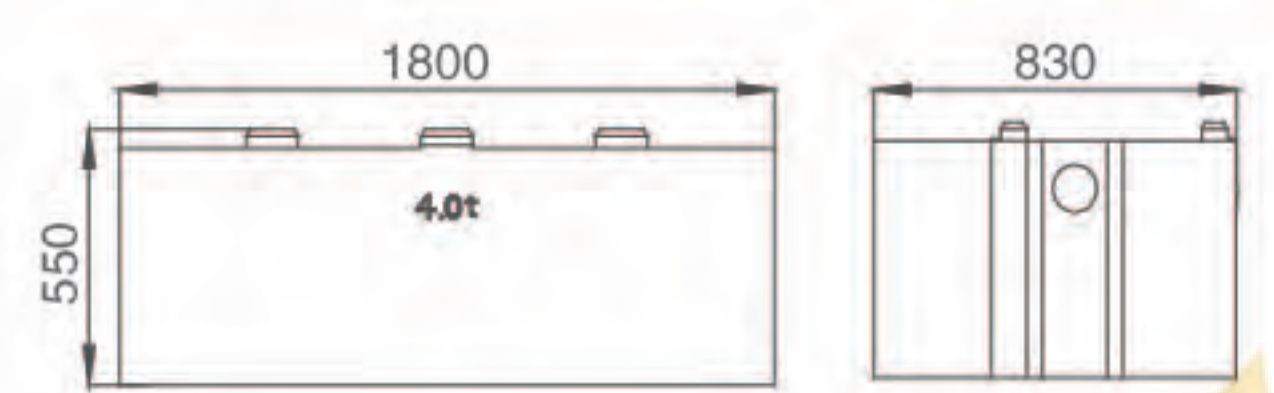
名称	长L(mm)	宽W(mm)	高H(mm)	重量W(t)	数量Quantity
平衡重托盘 Counterweight tray	3800	1000	580	4.8	1



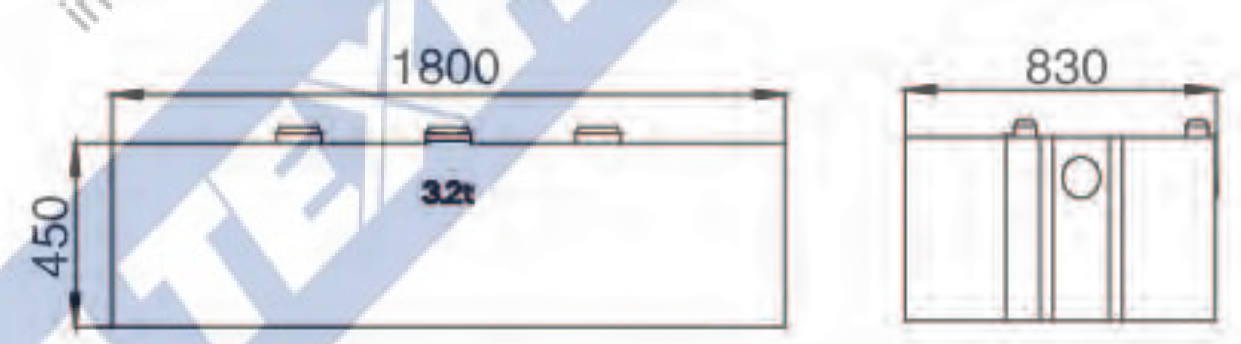
名称	长L(mm)	宽W(mm)	高H(mm)	重量W(t)	数量Quantity
左右平衡重块 Left and counterweight slab	1000	950	590	2.0	6



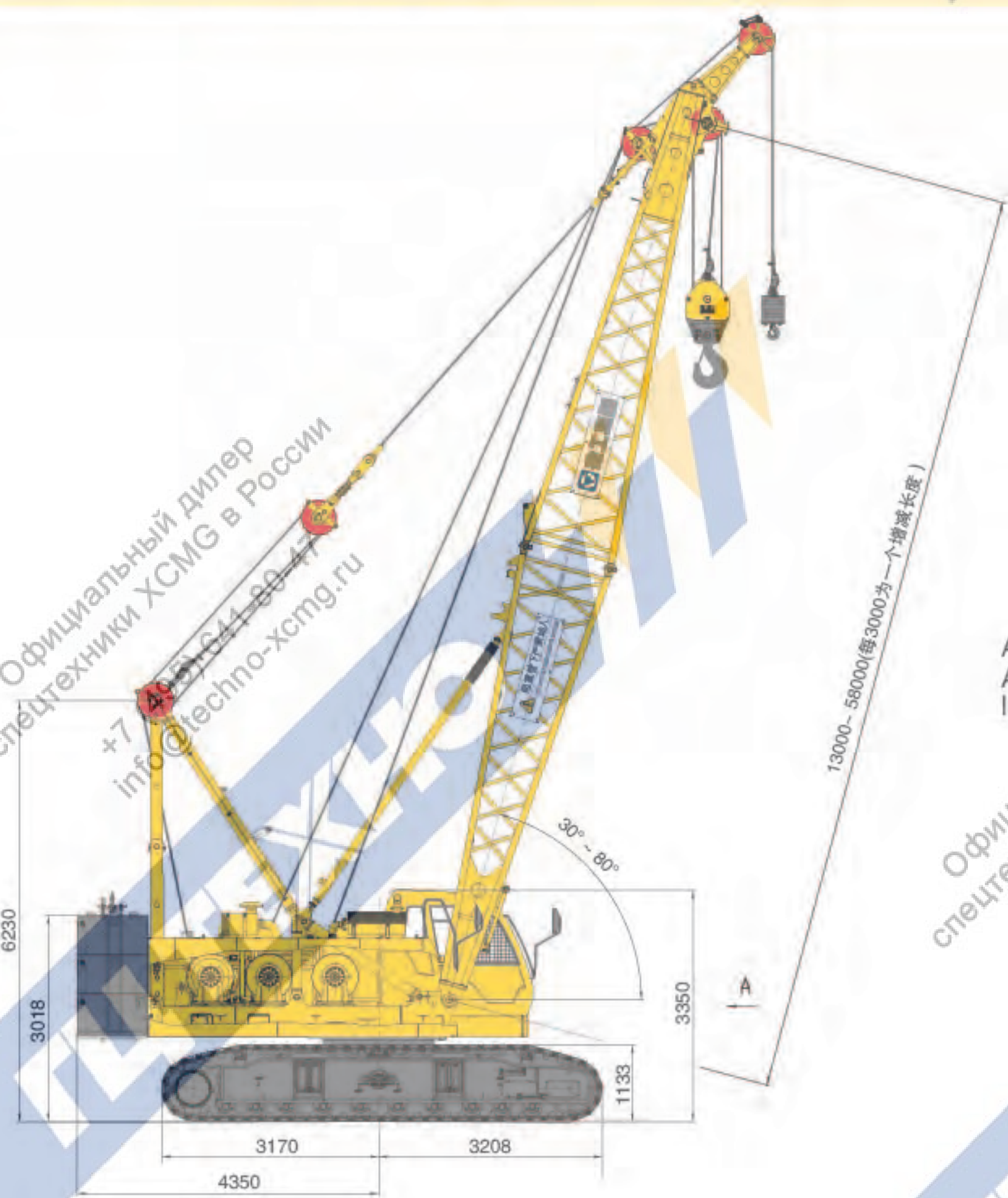
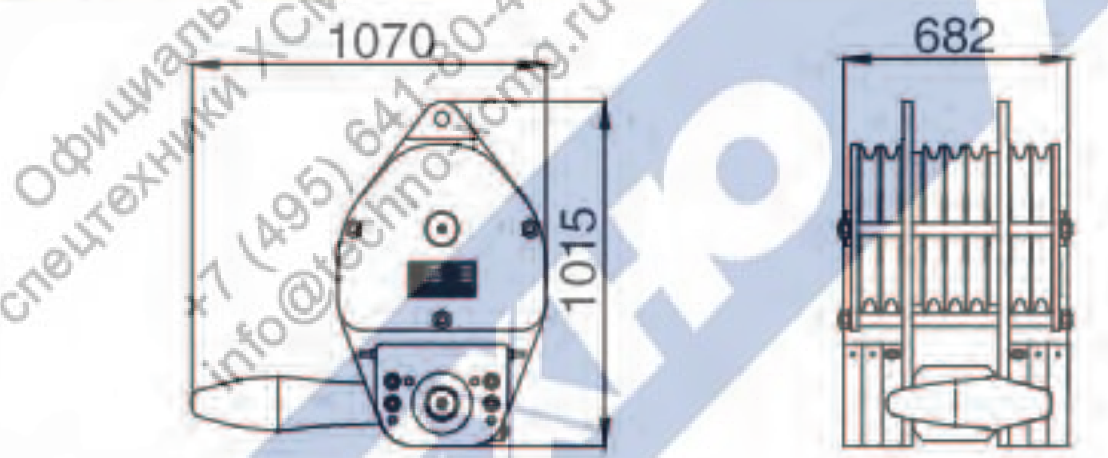
名称	长L(mm)	宽W(mm)	高H(mm)	重量W(t)	数量Quantity
中央平衡重块 Central counterweight slab	1800	830	550	4.0	2



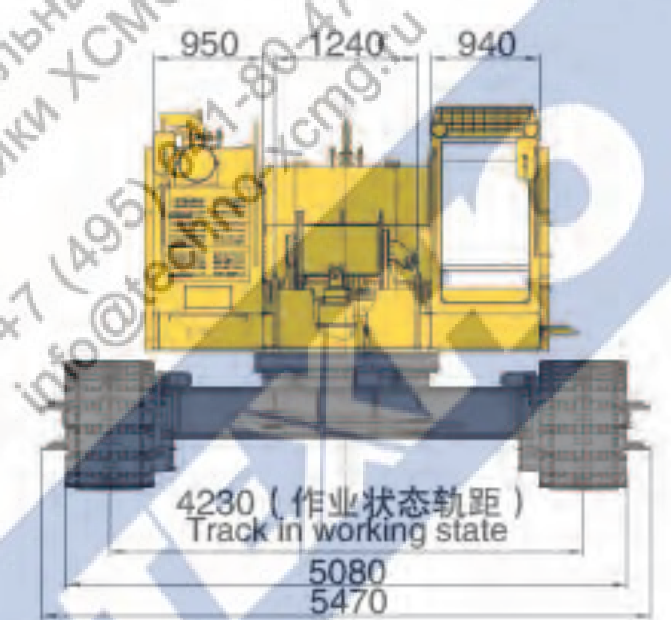
名称	长L(mm)	宽W(mm)	高H(mm)	重量W(t)	数量Quantity
中央平衡重块 Central counterweight slab	1800	830	450	3.2	1



名称	长L(mm)	宽W(mm)	高H(mm)	重量W(t)	数量Quantity
85t吊钩 (选配) 85t hook assy	1070	680	1020	1.16	1

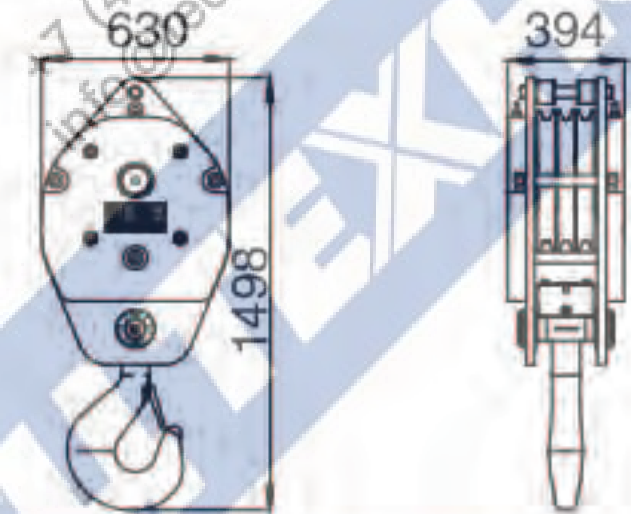


A向 (拆去主起重臂、人字架、变幅滑轮组等)
A direction (main lifting boom, A-frame and luffing pulley block are removed away)



主要零部件 Main parts

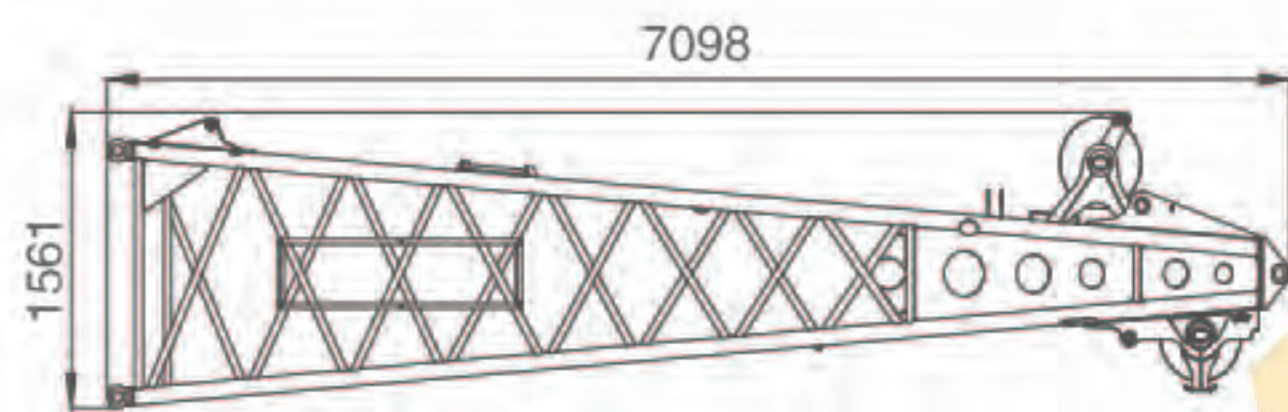
名称	长L(mm)	宽W(mm)	高H(mm)	重量W(t)	数量Quantity
50t吊钩 50t hook block	1500	630	400	0.77	1



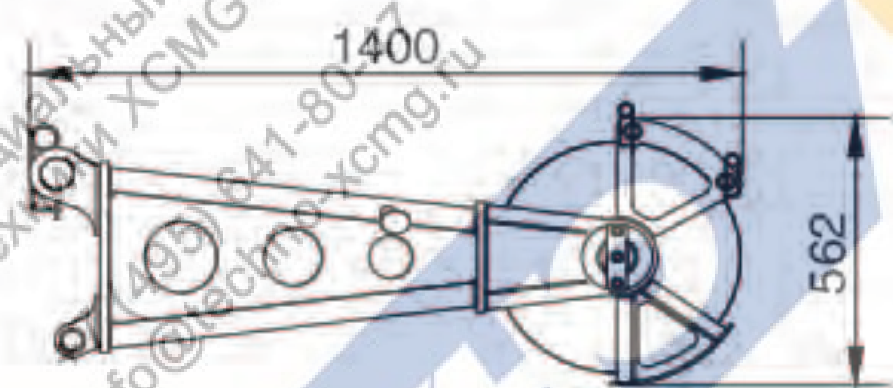
名称	长L(mm)	宽W(mm)	高H(mm)	重量W(t)	数量Quantity
8t吊钩 8t hook block	750	320	320	0.26	1



名称	长L(mm)	宽W(mm)	高H(mm)	重量W(t)	数量Quantity
主臂6.5m顶节 Boom 6.5m top	7100	1690	1600	1.047	1

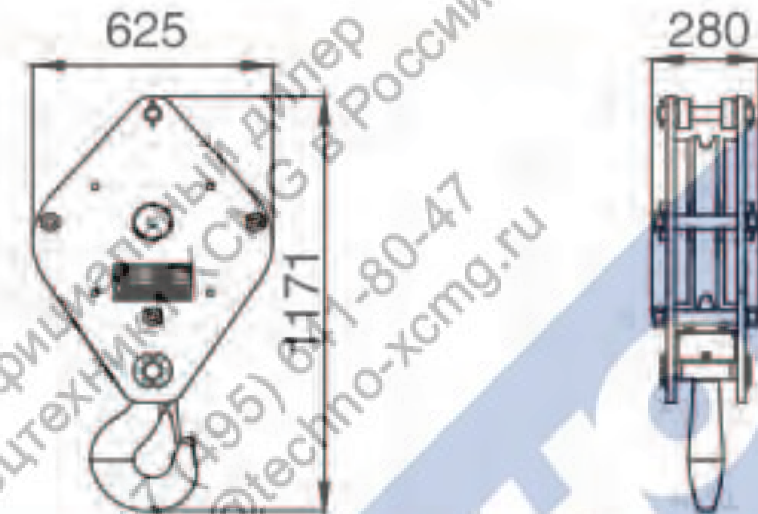


名称	长L(mm)	宽W(mm)	高H(mm)	重量W(t)	数量Quantity
臂端滑轮总成 Boom end pulley assembly	1400	625	562	0.093	1

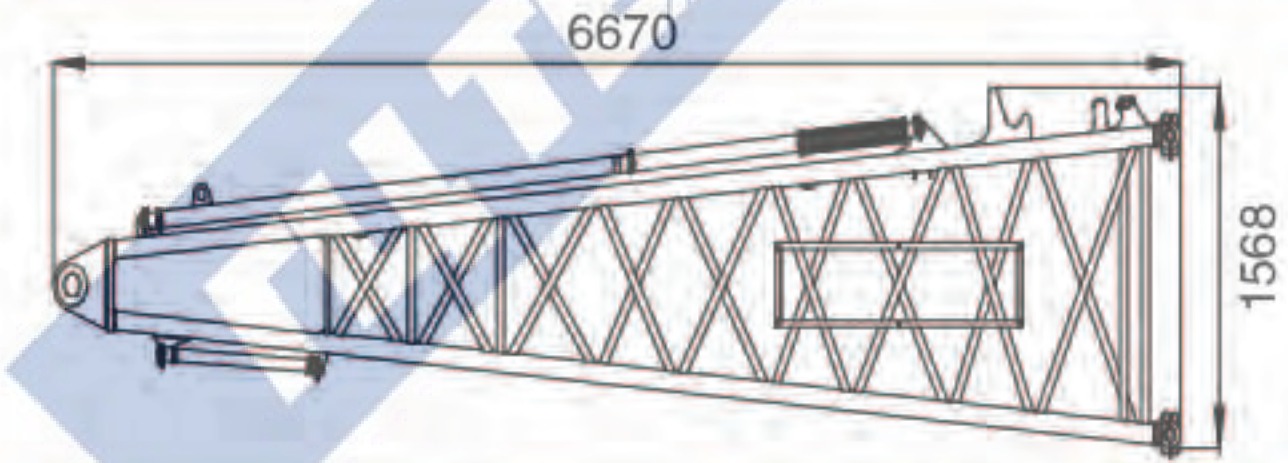


名称	长(L)mm	宽(W)mm	高(H)mm	数量Quantity	单件重量The single weight (t)
主臂9m中间节 9m boom insert section	9120	1690	1460	4	0.81
主臂6m中间节 6m boom insert section	6120	1690	1460	1	0.59
主臂3m中间节 3m boom insert section	3120	1690	1460	1	0.34
固定副臂6m节 Fixed jib 6m	6060	655	485	1	0.192
固定副臂3m节 Fixed jib 3m	3060	655	485	2	0.104

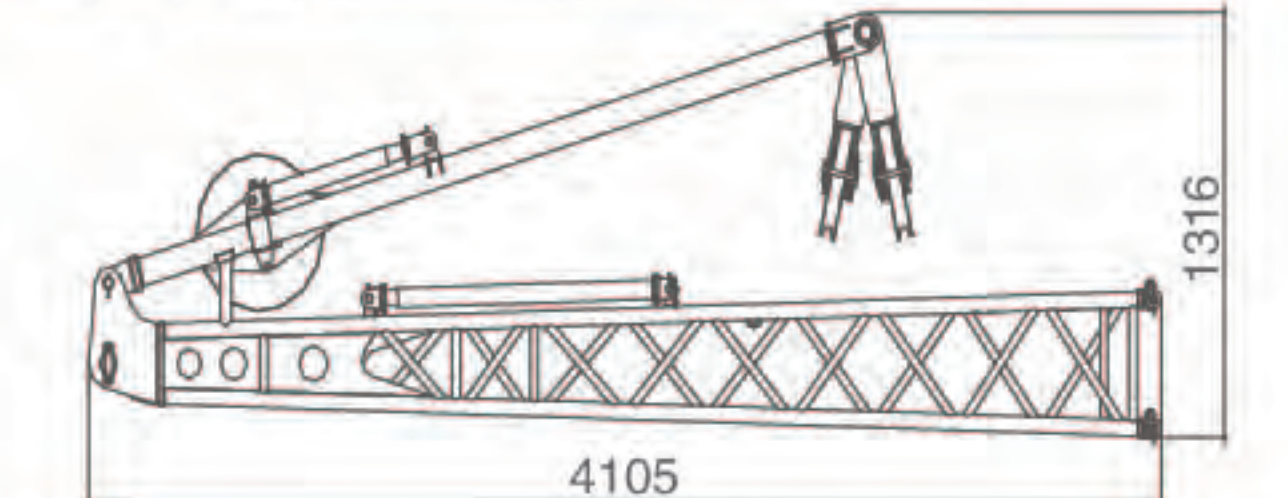
名称	长L(mm)	宽W(mm)	高H(mm)	重量W(t)	数量Quantity
25t吊钩 25t hook block	1170	630	280	0.3	1



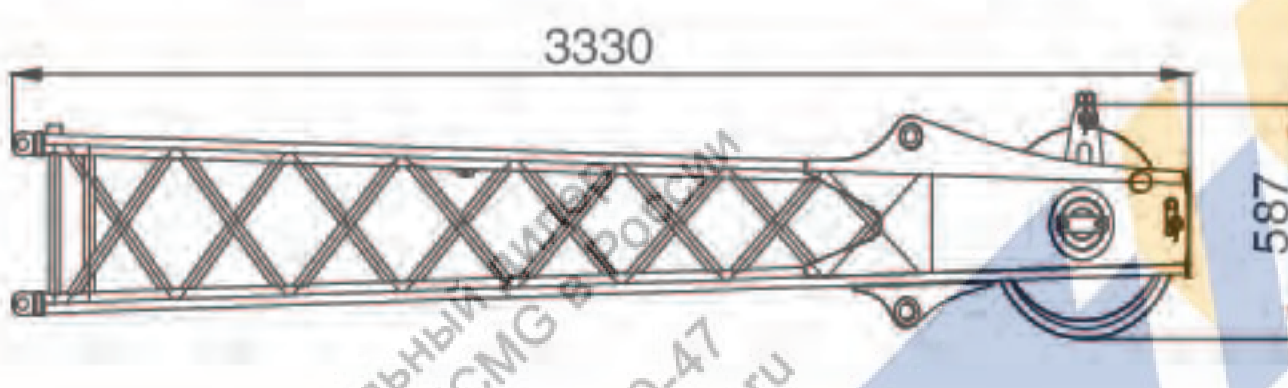
名称	长L(mm)	宽W(mm)	高H(mm)	重量W(t)	数量Quantity
主臂6.5m底节 Boom 6.5m base	6670	1690	1570	1.086	1



名称	长L(mm)	宽W(mm)	高H(mm)	重量W(t)	数量Quantity
固定副臂底节 (含支架及前后基本接索) Fixed jib butt (with strut)	4110	700	1650	0.5	1



名称	长L(mm)	宽W(mm)	高H(mm)	重量W(t)	数量Quantity
固定副臂顶节 Fixed jib top	3330	660	640	0.216	1



详细介绍 Description on components and system

上车部分

发动机系统

①型号: 上柴SC9D272G2。
额定功率: 200kW/1800rpm
最大扭矩/最大扭矩转速: 1100N·m/1200-1400rpm
环保性: 符合国II标准;
②型号: 上柴SC9DK270G3
额定功率: 200kW/1800rpm
最大扭矩/最大扭矩转速: 1200N·m/1300rpm
环保性: 符合国III标准;
③另可选装康明斯QSC8.3发动机;
额定功率: 183kW/2000rpm;
最大扭矩/最大扭矩转速: 1268N·m/1400rpm;
环保性: 符合欧III A标准;
燃料箱容量: 400L。

液压系统

采用液压先导比例控制的负载敏感LUDV系统, 可实现与负载无关的流量分配, 速度精准, 操作灵敏, 系统稳定、微动性好。专用LUDV集成式主阀, 可实现任意动作的复合操作, 结构紧凑, 检修方便。
主起升、副起升具有双泵合流功能, 轻松实现卷扬高/低速控制。专用回转缓冲油路设计, 回转启停平稳、柔和, 满足精细吊装作业要求。
液压油箱容积: 400L。

电气系统

电气系统主要包括如下部分: 发动机控制、监测仪表、辅助设备、液压系统控制、力矩限制及安全监控等。
电气系统的构成: 常规电气系统和PLC监控系统。
常规电气系统采用24V并联回路, 用电设备接线采用负极搭铁的单线制, 包括电源、起动机控制、驾驶室冷暖空调及音响、照明(灯光)、雨刮器等。
PLC监控系统包括主副起升、回转、主臂变幅等动作的控制、发动机状态监测。所有动作全部采用液比例控制技术, 通过CAN-bus总线技术的PLC逻辑控制, 能有效保证主机各功能的实现, 并充分体现以人为本的设计思想。

Crane Superstructure

Engine system

①Standard Model: Shanghai SC9D272G2.
Rated power: 200kW/1800rpm.
Max. torque/max. torque speed: 1100N·m/1200-1400rpm
Environmental protection: China GB II standard;
②Model: Shanghai diesel SC9DK270G3
Rated power: 200kW/1800rpm
Max. torque/Max. torque speed: 1200N·m/1300rpm
Environmental protection: China GB III standard;
③Optional model: Cummins QSC8.3.
Rated power: 183kW/2000rpm.
Max. torque/max. torque speed: 1268N·m/1400rpm.
Environmental protection: China Euro III A standard;
Fuel tank capacity: 400L.

Hydraulic system

Hydraulic system adopts hydraulic proportional pilot control load sense LUDV system, to achieve load-independent flow distribution, with accurate velocity, sensitive operation, stable system and good fine movement. Special LUDV centralized main valve to realize combined operation, with compact structure and easy for maintenance.
Main winch and auxiliary winch has double-pump combined flow function, to easily realize winch high/low speed control. Special slewing buffering circuit design, to realize stable slewing start and stop to meet the requirement of delicate lifting operation.

Electrical system

Electrical system mainly includes: engine control, monitoring instruments, auxiliary equipment, hydraulic system control, load moment limit and safety monitoring.
Electrical system composition: conventional electrical system and PLC monitoring system.
Conventional electrical system uses 24V parallel circuit, the electrical equipment wiring is negative ground single system, including power, starter control, cab heating/cooling air conditioner, sound device, lighting (lamps) and wipers.
PLC monitoring system includes the operation control of main/auxiliary winches, slewing unit, boom and tower jib luffing and engine status monitoring. All the crane movements use hydraulic proportional control technology, through PLC logic control based on CAN-bus technology, effectively ensure the realization of the machine functions, and fully reflect the concept of people-oriented design.



详细介绍

Description On Components And System

起升机构

主起升、副起升机构内行星减速机，采用负制动设计多片湿式叠片式常闭制动器，实现“弹簧制动/液压释放”功能，安全可靠。采用溅油方式润滑，减少维护保养强度。起升机构还具有换油方便、低噪音、高效率、长寿命等特性。同时具有优良的微速性能。

起升卷筒采用吸振性良好的球墨铸铁制造，双折线绳槽保证钢丝绳多层卷绕不乱绳，有效地延长了钢丝绳的使用寿命。主起升机构使用独立钢芯、高破断拉力、高抗挤压性的左旋同向捻旋转特种钢丝绳。

主起升机构 Main hoist gear	额定单绳拉力 Rated single line pull	8t
	钢丝绳直径φ Wire rope diameter	22mm
	长度 Length	240m
副起升机构 Auxiliary hoist gear	额定单绳拉力 Rated single line pull	8t
	钢丝绳直径φ Wire rope diameter	22mm
	长度 Length	145m

变幅机构

变幅机构内行星减速机，采用负制动设计多片湿式叠片式常闭制动器，实现“弹簧制动/液压释放”功能。

主变幅卷筒采用球墨铸铁制造的双折线多层卷绕单联卷筒，具有良好的吸振性，可保证钢丝绳多层卷绕不乱绳，有效地延长了钢丝绳的使用寿命。卷筒设有棘轮锁止装置，由液压油缸驱动棘爪，实现多重锁止保护。

变幅机构采用独立钢芯、高破断拉力、结构稳定性最佳的左旋交互捻非抗旋转特种钢丝绳。

变幅机构 Luffing gear	额定单绳拉力 Rated single line pull	6t
	钢丝绳直径φ Wire rope diameter	20mm
	长度 Length	135m

回转机构

回转机构与回转支承采用内啮合方式驱动，布置在转台前部，由定速马达驱动行星齿轮减速机通过小齿轮驱动回转支承，实现360°回转。

回转机构内行星减速机，采用负制动设计的多片湿式叠片式常闭制动器，以实现“弹簧制动/液压释放”功能，确保回转具有极高的制动安全性。回转机构还设有机械式回转锁定装置，以实现回转机构的锁定保护。

偏心机构可保证减速机和回转支承更好啮合，使回转更平稳。回转机构具有自由滑转功能，保证起重物起吊时，当起重钩即使不在被吊重物的重心垂直中心线上，也可以消除臂架的侧向力，进而防止作业臂因受到较大侧向力而损坏。

Hoist gear

Main/auxiliary hoist gear has built-in planetary reducer, with negative brake design of multi-plate wet-type laminated constant closed brake, to achieve "spring brake/hydraulic release" function, safe and reliable; maintenance free oil splash lubrication; convenient oil replacement, low noise, high efficiency, long service life and good fine movement function.

Hoist gear drum is made of nodular cast iron with good vibration absorption, double line rope groove to ensure multilayer rope winding, effectively increasing the wire rope service life.

Main hoist gear adopts separate steel core, high breaking force and high anti-extrusion of L-tum special anti-rotation wire rope, rated single line pull 8t, rope diameter φ 22mm, rope length 240m.

Auxiliary hoist gear adopts separate steel core, high breaking force and high anti-extrusion of L-tum special anti-rotation wire rope, rated single line pull 8t, rope diameter φ 22mm, rope length 145m.

Luffing winch

Luffing gear has built-in planetary reducer, with negative brake design of multi-plate wet-type laminated constant closed brake, to achieve "spring brake/hydraulic release" function.

Main luffing drum is made of nodular cast iron with good vibration absorption, double line rope groove to ensure multilayer rope winding, effectively increasing the wire rope service life. Use hydraulic cylinder to drive the ratchet paws of the ratchet locking device on drum to achieve multiple locking protection.

Luffing gear adopts separate steel core, high breaking force and high anti-extrusion of L-tum special anti-rotation wire rope, rated single line pull 6t, rope diameter φ 20mm, rope length 135m.

Slewing unit

Slewing unit and slewing ring is driven by internal meshing, arranged in front of turntable, through a planetary reducer driving a constant motor via pinion to drive slewing ring, so as to achieve 360° rotation.

Slewing unit has a built-in planetary reducer, with negative brake design of multi-plate wet-type laminated constant closed brake, to achieve "spring braking/hydraulic release" function, to ensure a high safety brake. Slewing unit also has a mechanical locking device for locking protection of the slewing unit.

The eccentric gear makes better meshing of reducer and slewing bearing and stable slewing. Slewing unit also has a free-swing function to ensure a lifting load aligned to the center line of gravity center even when the lifting hook is not in the center of the vertical center line, and also to eliminate the side load force on the boom, so as to prevent the boom from damage due to a large side loading force.



详细介绍

Description On Components And System

转台

转台是联系上下车的关键承载结构件，主受力结构是采用高强度钢板焊接而成的平板式箱型结构，两侧通过焊接悬臂支架增加空间，用于布置固定载荷。转台通过回转支承与下车进行联接。主臂底节、人字架、起升机构、变幅机构和平衡重布置在主受力结构上；操纵室、发动机系统、主泵、液压阀、电控柜等固定载荷布置在两侧悬臂支架上，转台主体结构两侧悬臂支架根据整机的受力状况设计，结构合理，整体强度和刚度好。

人字架

人字架由双肢结构组成，两肢之间有加强横梁，稳定性好。人字架主要结构为优质无缝钢管，有效减少焊接，制造缺陷少，安全系数高。人字架有高低两种状态，作业时扳起，运输时放倒，人字架上配备自板起托辊，可在主臂底节臂的配合下实现自扳起功能。

操纵室

操纵室造型采用仿生设计的手法，线条流畅又不失力量感。操纵室玻璃面积更大，侧面的玻璃划分更合理，科技感更强，操纵视野更宽阔。内饰以人为中心进行布置，司机不用起身即可触碰到所有按键。配置可调座椅、冷暖空调、电源插座、收音机等，为操作者提供了舒适的操作环境。

下车部分

下车包括车架、履带行走装置等。车架与履带行走装置之间采用插入式连接。

车架

车架为放射型箱型结构，采用高强度钢板焊接而成，整体刚性好，强度大、精度高。上平面经精密机加，确保与回转支承的可靠连接。

平衡重

平衡重共28.2t，安装在转台后方，与转台采用销轴挂靠式连接。平衡重组成如下：

平衡重托盘1X4.8t，其他附件0.2t。左右平衡重块6X2t，中央平衡重块2X4t，中央平衡重块1X3.2t。

Turntable

Turntable is a key load bearing structural component to connect crane superstructure and crane undercarriage, main load bearing structure is platform box-type welded by high-strength steel plate, on both sides use welding cantilever structure to increase basic machine space to place and fix load. The turntable is connected with undercarriage by slewing ring. Boom base, mast, hoist gear, luffing gear and counterweight is placed on the main load bearing structure; cab, engine system, main pump, hydraulic valve and electrical control cabinet is placed on the cantilever structures on both sides. The turntable main structure and the cantilever structures on both sides are designed according to the load bearing condition of the basic machine, reasonable structure and good overall strength and rigidity.

Mast

Mast is a double limb structure, with strengthened beam between two limbs for good stability. The main structure of mast is fine seamless steel pipe, with less welding, manufacturing error, and higher safety factor. Combined with self-raising roller, cooperating with boom, can achieve self-assembly/disassembly.

Operator's cab

Cab is ergonomically designed, fully enclosed, wide field of vision, with smooth line and strength; wider operation vision from large front and side glass, more sense of technology. User-friendly interior layout, all buttons are easy to reach while the operator is seating on seat. Provide comfortable operation environment with adjustable seat, air conditioner, power socket and radio, etc.

Crane Undercarriage

Undercarriage consists of car-body and crawler travel gear, with insert-type connection.

Car-body

Car-body is made of high strength steel and welded in box-type radial structure, good overall rigidity, high strength, and high precision. Precision machining ensures correct slewing ring installation.

Counterweight

Car-body counterweight is total 28.2t, installed in the rear of turntable, and use pin shaft to connect with turntable the composition is the follows:

Counterweight tray 1X4.8t, other accessories 0.2t. Left/right counterweight slab 6X2t, central counterweight slab 2X4t, central counterweight slab 1X3.2t.



详细介绍

Description on components and system

履带行走装置

履带行走装置分为左、右履带行走装置，由履带架、履带板、支重轮、驱动轮、导向轮、托链轮及行走机构、张紧装置组成。

履带架：左右对称，各1件。采用钢板焊接成的箱型结构，与车架采用插入式连接，抽屉式上下间隙调整装置，确保履带架安装后不会产生横向的八字现象，避免履带板与支重轮产生偏磨。

履带板：高强耐磨合金钢铸件，宽度850mm，共 $2 \times 64 = 128$ 件。

行走机构：常闭式行星齿轮减速机，采用斜轴柱塞马达驱动。行走动力强劲，可实现直线行走、原地转向、单边转向、差速转向及带载行走等动作，有极高的灵活性和机动性。多片湿式常闭制动器，弹簧制动，液压松闸，确保行走具有极高的制动安全性。

最高行走速度：0.9km/h。

Crawler travel unit

Crawler travel unit is divided into left/right crawler, consisting track frame, crawler shoe, track roller, drive sprocket, guide roller, idle roller, travel device and tension device.

Track frame: symmetrically arranged, one on each side, made of high-strength steel plate welded in box-type structure, insert type connection with car-body, drawer type clearance adjusting device to make sure there is not lateral "八" type deformation and prevent collision between crawler shoes and lower roller.

Track shoe: high strength wear resistant alloy steel casting, width 800mm, total $2 \times 64 = 128$ pieces.

Travel gear: constant close type planetary reducer, axial piston motor drive, strong travel power for movement such as straight travel, turn on site, one side turn, differential turn and travel with load with excellent agility and flexibility. Multiple-disc wet type constant close brake, spring brake, hydraulic loose brake guarantees excellent brake safety.

Gradability: 30%.

安全装置

本起重机广泛采用机械、电子和液压等多种安全及报警装置，以确保机器的安全使用。安全装置包括力矩限制器、回转锁定装置、起重臂防后翻装置、起升高度限位装置、起重臂角度限位装置、风速仪、回转警告及液压系统溢流阀、平衡阀等。

Safety Protection Devices

This crane widely uses mechanical, electronic, hydraulic and other safety and alarm devices, in order to ensure safety operation. The safety devices consists LMI, slewing locking, boom backstop, hoist limit, boom angle limit, anemometer, slewing alarm, hydraulic system overflow valve, balance valve, hydraulic lock, and etc.

赫思曼力矩限制器系统

检测功能：力矩限制器能自动检测出起重臂的角度、起重载荷。

显示功能：彩色大屏7.0寸液晶显示器。用中文(或英文)和图形方式显示力矩百分比、实际起重重量、额定起重重量、工作半径、吊臂长度、角度、工况代码、等起重作业参数。

警示功能：具有完整的预先报警、超载停止作业功能。如果检测到实际载荷超过额定载荷，起重机超出其正常作业范围，力矩限制器发出报警并限制当前动作。

Hirschmann Load moment limiter

Detection function: automatically detect boom angle and lifting load.

Display function: large color touch screen LCD display (7.0 inches), with Chinese (or English) and graphically display of moment percentage, actual lifting load, rated lifting load, working radius, boom length, boom angle, working condition code, parts of line.

Alarm function: complete pre-warning and overload stop functions. The LMI will automatically send out alarm and stop crane operation when actual lifting load exceeds total rated lifting load and boom is out of limit angle.

The system also has self-diagnosis function.

安装模式&工作模式切换开关

安装模式下，所有安全装置被旁路，手柄可执行任何动作。当起重机进入工作区域后，安装模式自动失效，需手动将开关切换到工作模式，动作受安全装置控制。

Assembly/Work mode switch

Setup mode, all safety devices can perform any action being bypassed handle. When the crane to enter the work area, installation mode automatically expire, you need to manually switch to the working mode, operation is controlled by a safety device.



详细介绍

Description on components and system

紧急停止按钮

紧急情况下，按下此按钮将停止所有动作。

Emergency stop switch

In emergency cases, press this button to stop all crane movement.

防过卷装置

臂头设置主起升和副起升钢丝绳防过卷装置，防止钢丝绳过卷。当主起升、副起升钢丝绳起升到一定高度的时候，显示器上的过卷标闪亮，同时力矩限制器停止起升动作。

Over-wound protection device

A rope-end limiter is installed in main and auxiliary hoist winch to protect wire rope from over-release from the winch drum. When there is only 3 layers of rope left on main/auxiliary winch, the over-release lamp on display lights on, at the same time, LMI stops lowering down movement.

防过放保护

主起升、副起升机构均设置三圈保护器，避免卷筒放绳时产生过放。当主起升、副起升钢丝绳只剩三圈时，显示器上的过放标闪亮，同时力矩限制器停止下落动作。

Winch over-release protection device

A rope-end limiter is installed in main and auxiliary hoist winch to protect wire rope from over-release from the winch drum. When there is only 3 layers of rope left on main/auxiliary winch, the over-release lamp on display lights on, at the same time, LMI stops lowering down movement.

棘爪锁止装置

该功能用于锁定主变幅卷扬，用于保护臂架在非工作时安全停放。

Winch ratchet locking device

This function is used to lock the main luffing winch to protect the boom for stop work during non-working time.

机械式安全装置

回转锁止装置用于起重机停止时上车的机械限位；主臂、副臂支架防后翻装置，防止臂架及支架的后仰。

Mechanical safety device

Slewing locking device is used for crane superstructure mechanical limit when the crane stops; the backstop device for boom and jib to prevent boom, jib and strut from backward tipping.

起重臂角度限制

主臂架起到规定角度时，起升被停止，由力矩限制器和行程开关双级控制；主臂架在仰角小于规定角度时，下落被停止，由力矩限制器控制并发出声音报警。

Boom angle limit

When boom is raised to the specified angle, the hoist operation is stopped, and controlled by LMI and stroke switch; when boom angle is lower than the required angle, the lowering down operation is topped, and controlled by LMI and send out an audio alarm.

起重钩防脱卡

所有起重钩均装有防脱卡板，防止悬挂在起重钩钩头的吊索脱落。

Hook block retainer clamp

All hook blocks are equipped with retainer clamps to prevent the sling falling off from hook head.

液压系统

配置液压平衡阀、液压溢流阀等装置，保证系统工作时稳定安全。

Hydraulic system

Hydraulic system is equipped with hydraulic balance valve, and hydraulic overflow valve etc. to ensure system stability and safety.



详细介绍

Description on components and system

三色力矩报警灯

三色力矩报警灯由三种颜色组成，力矩百分比在90%以下时“绿灯”亮，表示起重机在安全区域运行；力矩百分比在90%~100%时“黄灯”亮，表示起重机在已接近额定载荷范围。力矩百分比高于100%时，“红灯”亮，表示起重机已经超载，在危险区域，控制系统自动切断起重机向危险方向运行的动作。

声光报警器

在履带起重机做行走或回转动作时，声光报警器灯可闪烁并发出声音进行报警。

照明灯

照明灯装在转台前方、操纵室上方和操纵室内，用于夜间工作时提供照明。

后视镜

位于操纵室外侧，便于司机观察起重机后方情况。

示高灯

示高灯安装在臂架顶部，作为高空警示。

风速仪

实时检测当前风速，并传送到操纵室的监视器上，提醒操作者注意实时风速，以确保起重机在安全风速范围内工作。

Tricolor warning lamp

The lamp comprises 3 colors, when crane loading is below 90% of total rated lifting load, "Green Lamp" lights on to indicate crane is working in safety area; when crane loading is in 90%~100% of total rated lifting load, "Yellow Lamp" lights on to indicate crane is close to total rated lifting load; when crane loading is above 100%~102% of total rated lifting load, "Red Lamp" lights on to indicate crane is overload. In dangerous area, control system can automatically cut off crane movement to the dangerous direction.

Audio/video alarm

When the crane is moving and slewing, there is light and sound for alarm.

Illumination lamp

There are illumination lamps in front of turntable, above cab and inside cab for night operation.

Rearview mirror

Rearview mirror is located outside the cab for operator to observe condition of the back of the machine.

Height mark lamp

Height mark lamp is installed on boom tip for alarm.

Anemometer

Anemometer at boom tip can detect current wind speed and send wind signal to the monitor in cab to alert operator for wind load safety.



工况示意图

Working mode Illustration



主臂工况
Boom working mode



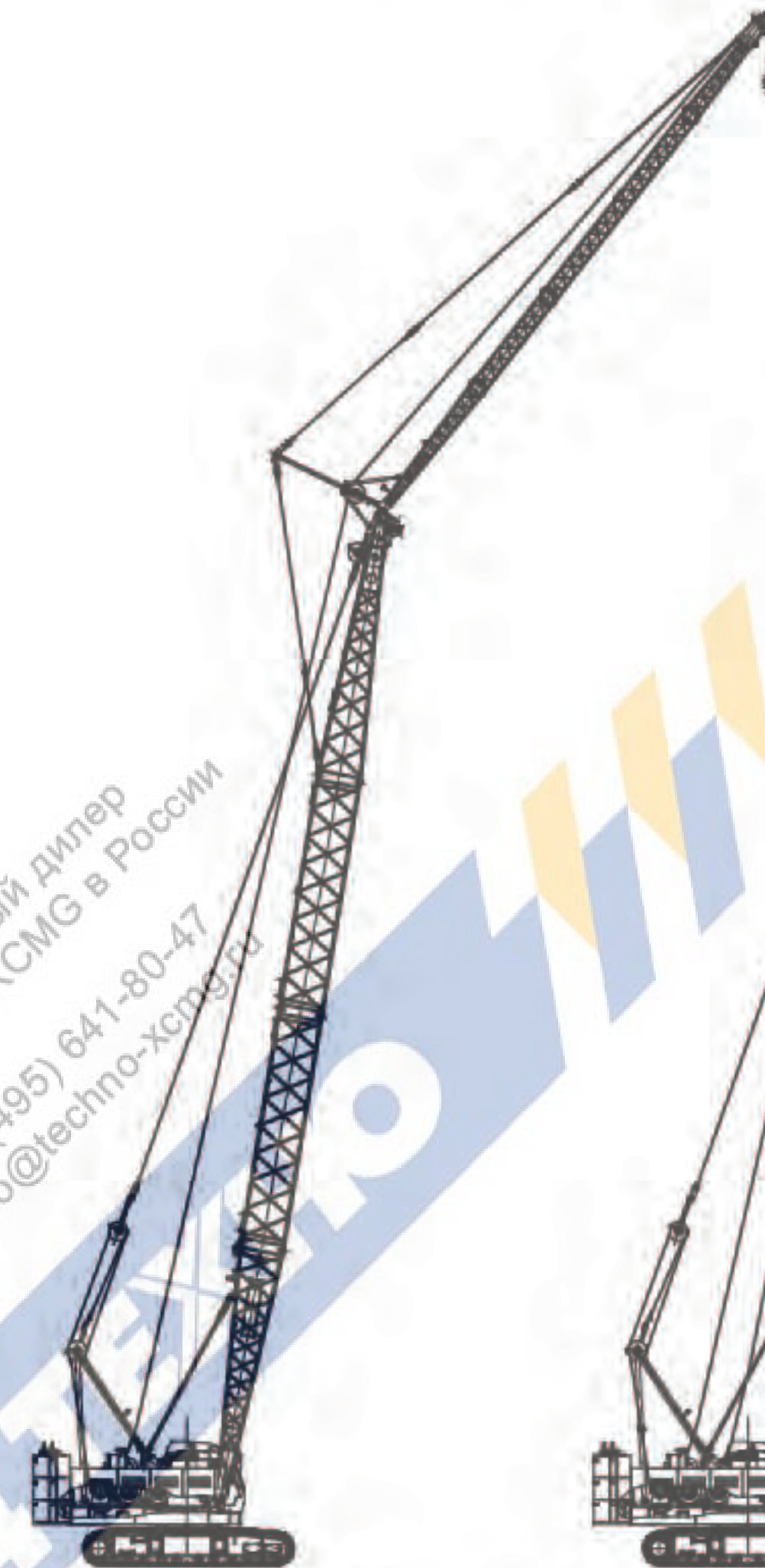
臂端单滑轮工况
(主臂不带吊钩)
Boom single pulley mode
(without hook block)



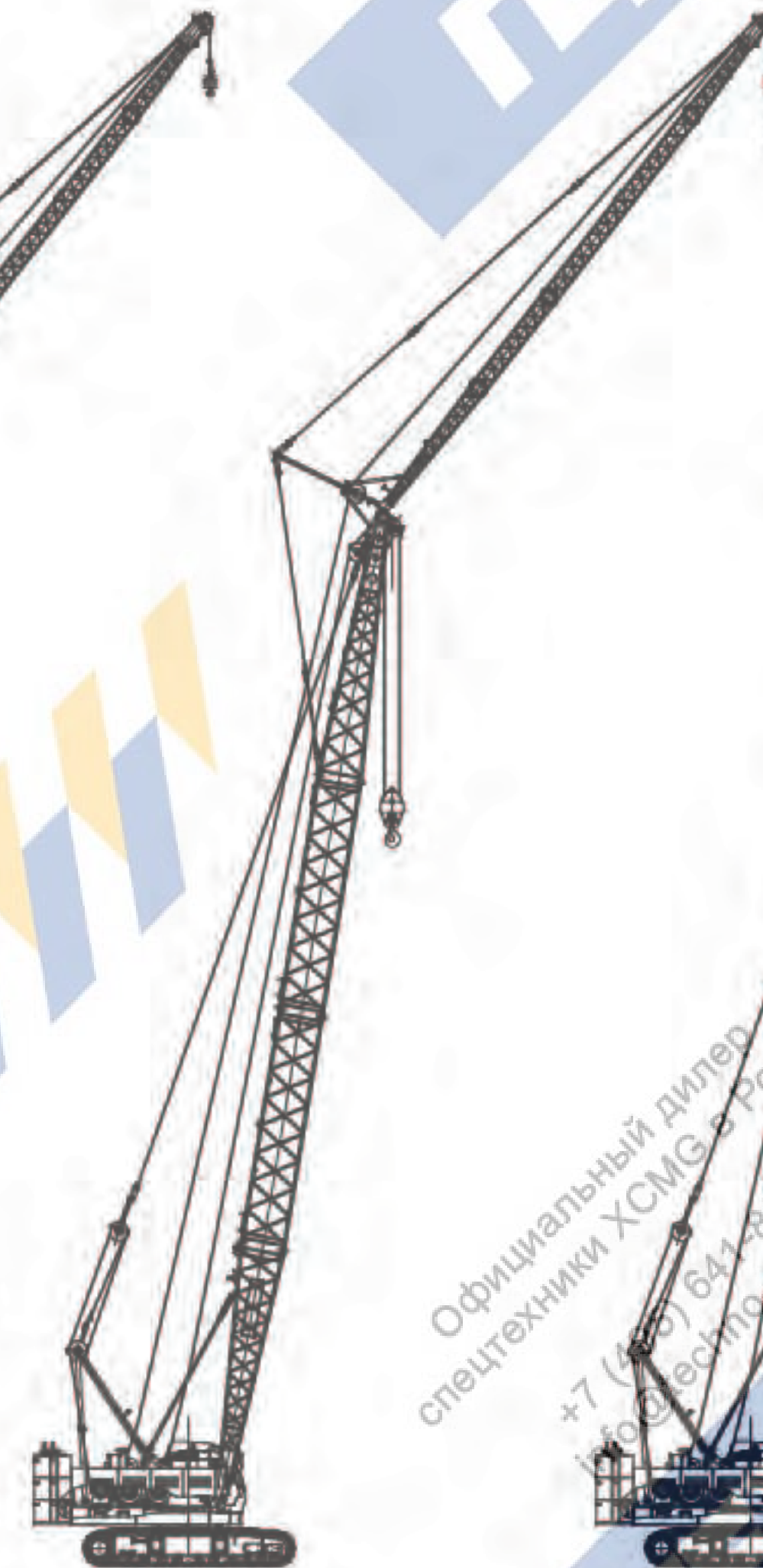
主臂工况 (带臂端单滑轮及吊钩) (选配)
Boom working mode (with boom single pulley and hook block) (Optional)



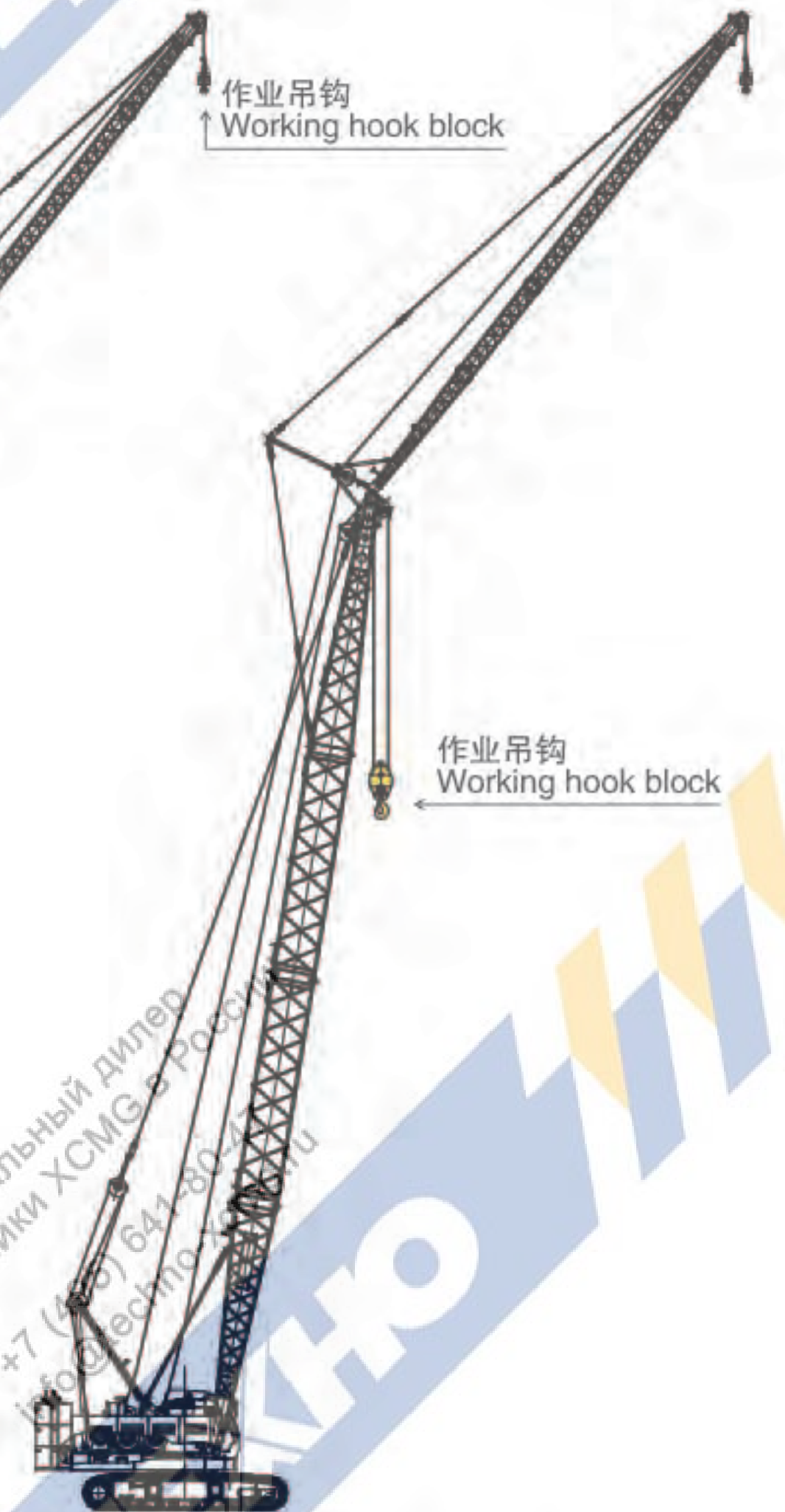
臂端单滑轮工况 (主臂带吊钩) (选配)
Boom single pulley mode (with hook block) (Optional)



固定副臂工况
(主臂不带吊钩)
Fixed jib mode
(without hook block)



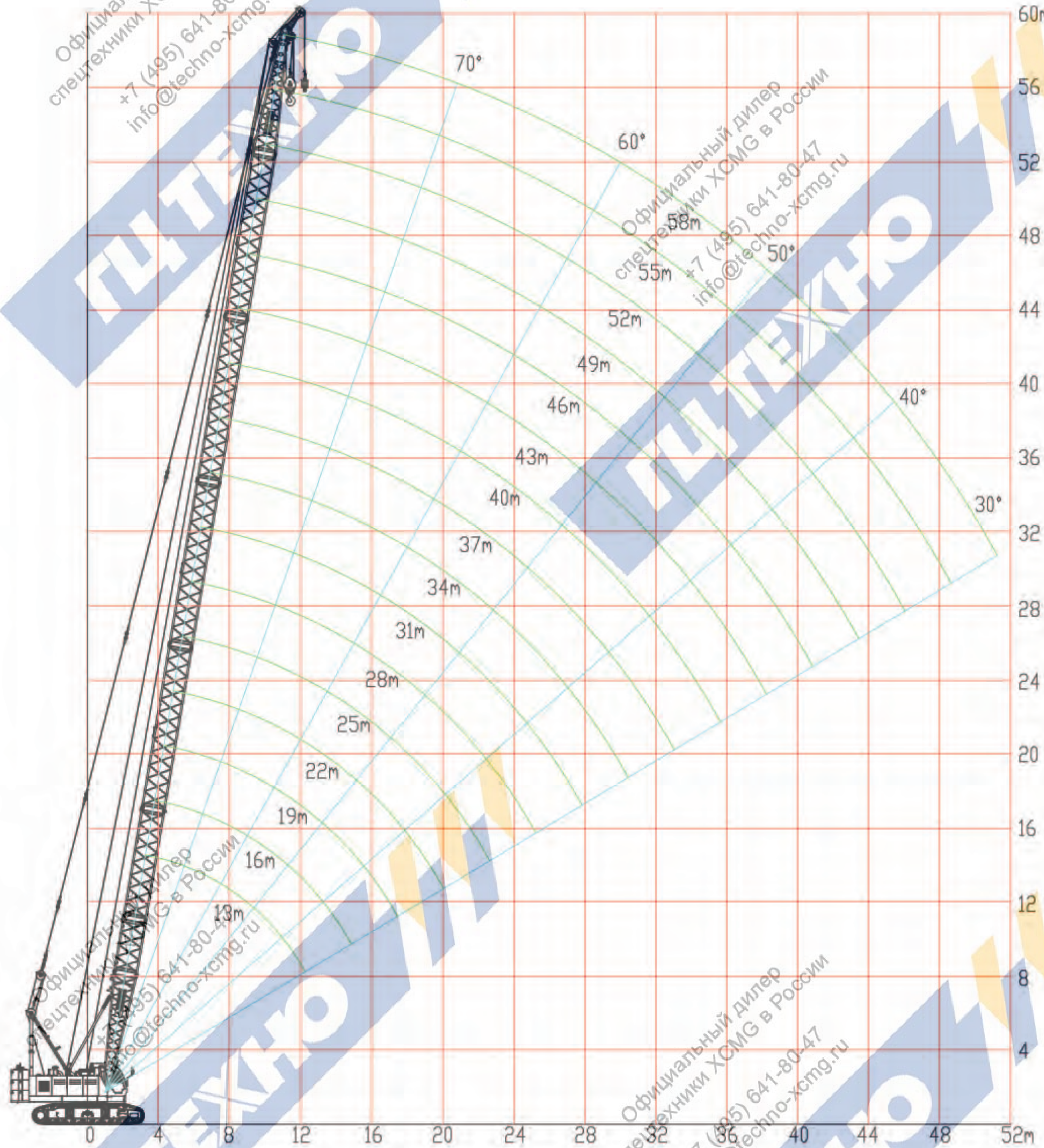
固定副臂工况 (主臂带吊钩) (选配)
Fixed jib mode (with hook block) (Optional)



主臂工况 (带固定副臂及吊钩) (选配)
Boom working mode (with fixed jib and hook block) (Optional)



主臂工作范围 Boom working area



主臂起重性能表 (不带臂端单滑轮及吊钩) Boom lifting capacity table (without boom single top and hook)

工作幅度 Working radius (m)	主臂长度 Boom length (m)							
	13	16	19	22	25	28	31	34
4	85.0							
5	68.2	66.9	59.6					
6	54.3	52.1	51.9	51.8	46.3			
7	43.7	43.0	42.0	41.8	41.5	40.8	37.1	
8	35.9	35.8	35.5	34.9	34.7	34.1	33.9	33.6
9	30.4	30.3	30.3	30.0	29.7	29.1	29.0	28.7
10	26.3	26.2	26.2	26.1	25.9	25.4	25.2	24.9
12	20.6	20.5	20.5	20.4	20.2	20.2	20.0	19.5
14		16.8	16.7	16.6	16.6	16.4	16.3	16.2
16			14.1	14.0	13.9	13.7	13.7	13.5
18				12.0	11.9	11.8	11.7	11.5
20				10.5	10.3	10.2	10.1	10.0
22					9.0	9.0	8.9	8.7
24						8.0	7.9	7.7
26							7.1	6.9
28							6.3	6.2
30								5.6

工作幅度 Working radius (m)	主臂长度 Boom length (m)							
	37	40	43	46	49	52	55	58
8	30.1							
9	28.5	26.2	25.1					
10	24.7	24.5	23.3	22.7	20.6			
12	19.3	19.2	18.9	18.7	18.5	17.9	16.6	14.5
14	16.0	15.6	15.3	15.1	14.9	14.6	14.4	13.6
16	13.4	13.3	13.0	12.6	12.4	12.2	12.1	11.6
18	11.4	11.3	11.1	11.0	10.7	10.3	10.1	10.0
20	9.8	9.7	9.6	9.4	9.3	9.1	8.9	8.7
22	8.6	8.5	8.3	8.2	8.1	7.9	7.8	7.6
24	7.6	7.5	7.3	7.2	7.1	6.9	6.8	6.6
26	6.7	6.7	6.4	6.4	6.3	6.0	6.0	5.8
28	6.0	5.9	5.7	5.7	5.6	5.5	5.2	5.1
30	5.4	5.3	5.1	5.1	5.0	4.8	4.6	4.5
32	4.8	4.7	4.6	4.5	4.4	4.2	4.1	3.9
34		4.3	4.1	4.1	3.9	3.8	3.7	3.4
36			3.7	3.7	3.5	3.4	3.2	3.0
38			3.3	3.3	3.1	3.0	2.9	2.6
40				3.0	2.8	2.7	2.5	2.3
42					2.5	2.4	2.3	2.0
44						2.1	2.0	1.7
46						1.8	1.8	1.5
48							1.5	1.2
50								1.0



主臂起重性能表 (带臂端单滑轮及吊钩) Boom lifting capacity list (with boom single pulley and hook block)

工作幅度 Working radius (m)	主臂长度 Boom length (m)																
	13	16	19	22	25	28	31	34	37	40	43	46	49	52	55	58	
4	84.4																
5	67.6	66.3	59.0														
6	53.7	51.5	51.3	51.2	45.7												
7	43.1	42.4	41.4	41.2	40.9	40.2	36.5										
8	35.3	35.2	34.9	34.3	34.1	33.5	33.3	33.0	29.5								
9	29.8	29.7	29.7	29.4	29.1	28.5	28.4	28.1	27.9	25.6	24.5						
10	25.7	25.6	25.6	25.5	25.3	24.8	24.6	24.3	24.1	23.9	22.7	22.1	20.0				
12	20.0	19.9	19.9	19.8	19.6	19.6	19.4	18.9	18.7	18.6	18.3	18.1	17.9	17.3	16.0	13.9	
14		16.2	16.1	16.0	16.0	15.8	15.7	15.6	15.4	15.0	14.7	14.5	14.3	14.0	13.8	13.0	
16			13.5	13.4	13.3	13.1	13.1	12.9	12.8	12.7	12.4	12.0	11.8	11.6	11.5	11.0	
18				11.4	11.3	11.2	11.1	10.9	10.8	10.7	10.5	10.4	10.1	9.7	9.5	9.4	
20				9.9	9.7	9.6	9.5	9.4	9.2	9.1	9.0	8.8	8.7	8.5	8.3	8.1	
22					8.4	8.4	8.3	8.1	8.0	7.9	7.7	7.6	7.5	7.3	7.2	7.0	
24						7.4	7.3	7.1	7.0	6.9	6.7	6.6	6.5	6.3	6.2	6.0	
26							6.5	6.3	6.1	6.1	5.8	5.8	5.7	5.4	5.4	5.2	
28							5.7	5.6	5.4	5.3	5.1	5.1	5.0	4.9	4.6	4.5	
30								5.0	4.8	4.7	4.5	4.5	4.4	4.2	4.0	3.9	
32									4.2	4.1	4.0	3.9	3.8	3.6	3.5	3.3	
34										3.7	3.5	3.5	3.3	3.2	3.1	2.8	
36											3.1	3.1	2.9	2.8	2.6	2.4	
38												2.7	2.7	2.5	2.3	2.0	
40													2.4	2.2	1.9	1.7	
42														1.9	1.8	1.4	
44															1.5	1.4	1.1
46																1.2	1.2



臂端单滑轮起重性能表 (主臂不带吊钩) Boom single top lifting capacity table (boom without hook)

工作幅度 Working radius (m)	主臂长度 Boom length (m)																				
	13	16	19	22	25	28	31	34	37	40	43	46	49	52	55	58					
5	8.0																				
6	8.0	8.0	8.0																		
7	8.0	8.0	8.0	8.0	8.0																
8	8.0	8.0	8.0	8.0	8.0	8.0	8.0														
9	8.0	8.0	8.0	8.0	8.0	8.0	8.0	8.0													
10	8.0	8.0	8.0	8.0	8.0	8.0	8.0	8.0	8.0	8.0											
12	8.0	8.0	8.0	8.0	8.0	8.0	8.0	8.0	8.0	8.0	8.0	8.0	8.0	8.0	8.0						
14		8.0	8.0	8.0	8.0	8.0	8.0	8.0	8.0	8.0	8.0	8.0	8.0	8.0	8.0	8.0					
16			8.0	8.0	8.0	8.0	8.0	8.0	8.0	8.0	8.0	8.0	8.0	8.0	8.0	8.0					
18				8.0	8.0	8.0	8.0	8.0	8.0	8.0	8.0	8.0	8.0	8.0	8.0	8.0					
20					8.0	8.0	8.0	8.0	8.0	8.0	8.0	8.0	8.0	8.0	8.0	8.0					
22						8.0	8.0	8.0	8.0	8.0	8.0	8.0	8.0	8.0	8.0	8.0					
24							8.0	8.0	7.9	7.7	7.6	7.5	7.3	7.2	7.1	6.9	6.8	6.6			
26								7.1	7.1	6.9	6.7	6.7	6.4	6.4	6.3	6.0	6.0	5.8			
28									6.3	6.2	6.0	5.9	5.7	5.7	5.6	5.5	5.2	5.1			
30										5.6	5.6	5.4	5.3	5.1	5.1	5.0	4.8	4.6	4.5		
32											4.8	4.8	4.7	4.6	4.5	4.4	4.2	4.1	3.9		
34												4.3	4.3	4.1	4.1	3.9	3.8	3.7	3.4		
36													3.7	3.7	3.7	3.5	3.4	3.2	3.0		
38														3.3	3.3	3.1	3.0	2.9	2.6		
40															3.0	3.0	2.8	2.7	2.3		
42																2.5	2.5	2.4	2.3	2.0	
44																	2.1	2.1	2.0	1.7	
46																		1.8	1.8	1.5	
48																			1.5	1.5	1.2
50																				1.0	1.0



臂端单滑轮起重性能表 (主臂带吊钩)
Boom single top lifting capacity table (boom with hook)

工作幅度 Working radius (m)	主臂长度 Boom length (m)															
	13	16	19	22	25	28	31	34	37	40	43	46	49	52	55	58
5	8.0															
6	8.0	8.0	8.0													
7	8.0	8.0	8.0	8.0	8.0											
8	8.0	8.0	8.0	8.0	8.0	8.0	8.0									
9	8.0	8.0	8.0	8.0	8.0	8.0	8.0	8.0	8.0	8.0						
10	8.0	8.0	8.0	8.0	8.0	8.0	8.0	8.0	8.0	8.0	8.0					
12	8.0	8.0	8.0	8.0	8.0	8.0	8.0	8.0	8.0	8.0	8.0	8.0				
14		8.0	8.0	8.0	8.0	8.0	8.0	8.0	8.0	8.0	8.0	8.0	8.0			
16		8.0	8.0	8.0	8.0	8.0	8.0	8.0	8.0	8.0	8.0	8.0	8.0	8.0		
18			8.0	8.0	8.0	8.0	8.0	8.0	8.0	8.0	8.0	8.0	8.0	8.0	8.0	
20				8.0	8.0	8.0	8.0	8.0	8.0	7.9	7.8	7.6	7.5	7.3	7.1	6.9
22				7.0	7.2	7.2	7.1	6.9	6.8	6.7	6.5	6.4	6.3	6.1	6.0	5.8
24					6.2	6.2	6.1	5.9	5.8	5.7	5.5	5.4	5.3	5.1	5.0	4.8
26						5.3	5.3	5.1	4.9	4.9	4.6	4.6	4.5	4.2	4.2	4.0
28							4.5	4.4	4.2	4.1	3.9	3.9	3.8	3.7	3.4	3.3
30								3.8	3.8	3.6	3.5	3.3	3.3	3.2	3.0	2.7
32									3.0	3.0	2.9	2.8	2.7	2.6	2.4	2.1
34										2.5	2.5	2.3	2.3	2.1	2.0	1.6
36											1.9	1.9	1.9	1.7	1.6	1.2
38												1.5	1.5	1.3	1.2	1.1
40													1.2	1.2	1.0	



主臂起重性能表 (带固定副臂及吊钩)
Boom lifting capacity list (with fixed jib and hook block)

主臂幅度 Boom radius (m)	主臂长度31m 31m boom length				
	副臂长度 Jib length (m)				
	7	10	13	16	19
	副臂安装角度 (°) Jib installation angle 10° /30°				
7	35.5	35.2	35.1	34.8	34.3
8	32.3	32.0	31.9	31.6	31.1
9	27.4	27.1	27.0	26.7	26.2
10	23.6	23.3	23.2	22.9	22.4
12	18.4	18.1	18.0	17.7	17.2
14	14.7	14.4	14.3	14.0	13.5
16	12.1	11.8	11.7	11.4	10.9
18	10.1	9.8	9.7	9.4	8.9
20	8.5	8.2	8.1	7.8	7.3
22	7.3	7.0	6.9	6.6	6.1
24	6.3	6.0	5.9	5.6	5.1
26	5.5	5.2	5.1	4.8	4.3
28	4.7	4.4	4.3	4.0	3.5

主臂幅度 Boom radius (m)	主臂长度37m 37m boom length				
	副臂长度 Jib length (m)				
	7	10	13	16	19
	副臂安装角度 (°) Jib installation angle 10° /30°				
8	28.5	28.2	28.1	27.8	27.3
9	26.9	26.6	26.5	26.2	25.7
10	23.1	22.8	22.7	22.4	21.9
12	17.7	17.4	17.3	17.0	16.5
14	14.4	14.1	14.0	13.7	13.2
16	11.8	11.5	11.4	11.1	10.6
18	9.8	9.5	9.4	9.1	8.6
20	8.2	7.9	7.8	7.5	7.0
22	7.0	6.7	6.6	6.3	5.8
24	6.0	5.7	5.6	5.3	4.8
26	5.1	4.8	4.7	4.4	3.9
28	4.4	4.1	4.0	3.7	3.2
30	3.8	3.5	3.4	3.1	2.6
32	3.2	2.9	2.8	2.5	2.0



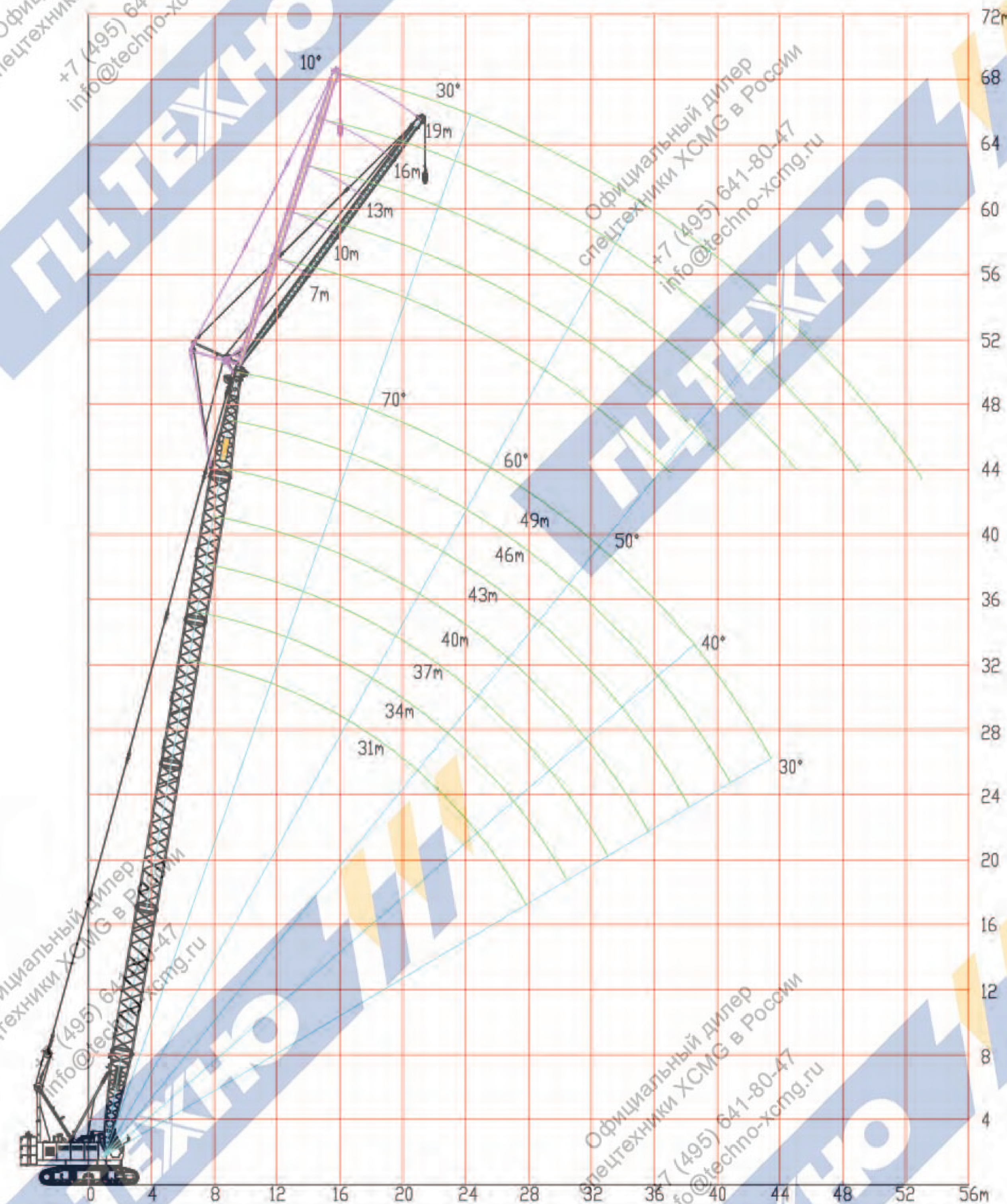
主臂起重性能表 (带固定副臂及吊钩) Boom lifting capacity list (with fixed jib and hook block)

主臂幅度 Boom radius (m)	主臂长度43m 43m boom length				
	副臂长度 Jib length (m)				
	7	10	13	16	19
	副臂安装角度 (°) Jib installation angle 10° /30°				
9	23.5	23.2	23.1	22.8	22.3
10	21.7	21.4	21.3	21.0	20.5
12	17.3	17.0	16.9	16.6	16.1
14	13.7	13.4	13.3	13.0	12.5
16	11.4	11.1	11.0	10.7	10.2
18	9.5	9.2	9.1	8.8	8.3
20	8.0	7.7	7.6	7.3	6.8
22	6.7	6.4	6.3	6.0	5.5
24	5.7	5.4	5.3	5.0	4.5
26	4.8	4.5	4.4	4.1	3.6
28	4.1	3.8	3.7	3.4	2.9
30	3.5	3.2	3.1	2.8	2.3
32	3.0	2.7	2.6	2.3	1.8
34	2.5	2.2	2.1	1.8	1.3
36	2.1	1.8	1.7	1.4	
38	1.7	1.4	1.3	1.0	

主臂幅度 Boom radius (m)	主臂长度49m 49m boom length				
	副臂长度 Jib length (m)				
	7	10	13	16	19
	副臂安装角度 (°) Jib installation angle 10° /30°				
10	19.0	18.7	18.6	18.3	17.8
12	16.9	16.6	16.5	16.2	15.7
14	13.3	13.0	12.9	12.6	12.1
16	10.8	10.5	10.4	10.1	9.6
18	9.1	8.8	8.7	8.4	7.9
20	7.7	7.4	7.3	7.0	6.5
22	6.5	6.2	6.1	5.8	5.3
24	5.5	5.2	5.1	4.8	4.3
26	4.7	4.4	4.3	4.0	3.5
28	4.0	3.7	3.6	3.3	2.8
30	3.4	3.1	3.0	2.7	2.2
32	2.8	2.5	2.4	2.1	1.6
34	2.3	2.0	1.9	1.6	1.1
36	1.9	1.6	1.5	1.2	
38	1.5	1.2	1.1		
40	1.2				



副臂工作范围 Fixed jib working area





固定副臂起重性能表 Fixed jib lifting capacity list

主臂长 Boom length(m)	31									
副臂长 Jib length(m)	7		10		13		16		19	
副臂安装角度(°) Jib angle										
工作幅度(m) Working radius	10	30	10	30	10	30	10	30	10	30
9	12.0									
10	12.0		9.6							
12	12.0	9.5	9.1		7.2		5.6			
14	12.0	9.2	8.4	6.4	6.8		5.3		4.1	
16	11.5	9.0	8.1	6.2	6.5	4.9	5.0		3.8	
18	11.1	8.8	7.7	6.0	6.2	4.5	4.8	3.6	3.6	
20	9.6	8.6	7.4	5.9	5.9	4.3	4.6	3.6	3.4	2.6
22	8.4	8.4	7.1	5.7	5.7	4.2	4.3	3.5	3.2	2.6
24	7.4	7.5	6.9	5.3	5.4	4.1	4.1	3.4	3.1	2.6
26	6.6	6.7	6.6	5.2	5.2	4.0	3.9	3.3	2.9	2.5
28	5.9	6.0	6.0	5.1	4.8	3.9	3.8	3.2	2.8	2.4
30	5.3	5.3	5.4	5.0	4.6	3.8	3.6	3.1	2.7	2.3
32	4.8	4.8	4.9	4.9	4.5	3.8	3.4	3.0	2.5	2.2
34	4.3	4.3	4.4	4.5	4.4	3.7	3.3	2.9	2.4	2.1
36			4.0	4.0	4.1	3.7	3.2	2.8	2.4	2.1
38				3.7	3.8	3.7	3.1	2.8	2.3	2.0
40					3.4	3.5	3.0	2.7	2.2	1.9
42							2.9	2.7	2.1	1.9
44								2.6	2.0	1.8
46										1.8

主臂长 Boom length(m)	37									
副臂长 Jib length(m)	7		10		13		16		19	
副臂安装角度(°) Jib angle										
工作幅度(m) Working radius	10	30	10	30	10	30	10	30	10	30
10	12.0									
12	12.0	9.5	8.0		7.3					
14	12.0	9.3	8.0	6.5	7.0		5.4		4.2	
16	11.8	9.1	8.0	6.3	6.6	4.9	5.2		4.0	
18	10.9	8.9	8.0	6.1	6.4	4.8	4.9	3.7	3.8	
20	9.4	8.8	7.7	6.0	6.1	4.4	4.7	3.6	3.6	2.6
22	8.1	8.3	7.4	5.9	5.9	4.3	4.5	3.5	3.4	2.5
24	7.1	7.3	7.2	5.7	5.7	4.2	4.3	3.4	3.2	2.4
26	6.3	6.4	6.4	5.3	5.5	4.1	4.2	3.3	3.1	2.4
28	5.6	5.7	5.7	5.2	5.0	4.0	4.0	3.2	2.9	2.3
30	5.0	5.1	5.1	5.1	4.9	3.9	3.8	3.1	2.8	2.2
32	4.5	4.6	4.6	4.7	4.7	3.9	3.7	3.0	2.7	2.1
34	4.1	4.1	4.1	4.2	4.2	3.8	3.5	2.9	2.6	2.1
36	3.7	3.7	3.7	3.8	3.8	3.4	3.4	2.9	2.5	2.0
38	3.3	3.3	3.4	3.4	3.5	3.6	3.3	2.8	2.4	2.0
40	3.0	3.0	3.1	3.1	3.2	3.2	3.2	2.8	2.3	1.9
42			2.8	2.8	2.9	2.9	2.9	2.7	2.3	1.9
44					2.6	2.6	2.6	2.7	2.2	1.8
46						2.4	2.4	2.5	2.1	1.8
48							2.2	2.2	2.0	1.8
50									2.0	1.8
52										1.8



固定副臂起重性能表 Fixed jib lifting capacity list

主臂长 Boom length(m)	43									
副臂长 Jib length(m)	7		10		13		16		19	
副臂安装角度(°) Jib angle										
工作幅度(m) Working radius	10	30	10	30	10	30	10	30	10	30
11	8.0									
12	8.0									
14	8.0	8.0	8.0				7.0		5.4	
16	8.0	8.0	8.0	6.3			6.8		5.2	4.0
18	8.0	8.0	8.0	6.2	6.5		6.5	4.8	5.0	3.9
20	8.0	8.0	7.9	6.1	6.3	4.5	4.5	4.8	3.6	3.7
22	7.9	8.0	7.6	5.9	6.1	4.4	4.4	4.6	3.6	3.5
24	6.9	7.0	7.0	5.8	5.8	4.3	4.3	4.5	3.5	3.3
26	6.0	6.2	6.2	5.7	5.7	4.2	4.3	4.3	3.4	3.2
28	5.3	5.5	5.5	5.3	5.2	4.1	4.2	4.3	3.3	3.1
30	4.7	4.8	4.8	5.0	5.0	4.0	4.0	4.0	3.2	3.0
32	4.2	4.3	4.3	4.5	4.4	4.0	3.9	3.9	3.1	2.8
34	3.8	3.8	3.9	4.0	4.0	3.9	3.7	3.7	3.0	2.7
36	3.4	3.4	3.5	3.6	3.6	3.7	3.6	3.6	3.0	2.6
38	3.0	3.1	3.1	3.2	3.2	3.3	3.2	3.2	2.9	2.6
40	2.7	2.7	2.8	2.8	2.9	3.0	2.9	2.9	2.8	2.5
42	2.4	2.4	2.5	2.5	2.6	2.7	2.6	2.6	2.8	2.4
44	2.1	2.1	2.2	2.3	2.3	2.4	2.4	2.4	2.5	2.3
46			2.0	2.0	2.1	2.1	2.1	2.1	2.2	2.1
48				1.7	1.8	1.8	1.9	1.9	2.0	1.9
50						1.6	1.7	1.7	1.8	1.7
52								1.5	1.6	1.5
54									1.4	1.4
56										1.2

主臂长 Boom length(m)	49									
副臂长 Jib length(m)	7		10		13		16		19	
副臂安装角度(°) Jib angle										
工作幅度(m) Working radius	10	30	10	30	10	30	10	30	10	30
12	8.0									
14	8.0		8.0							
16	8.0	8.0	8.0				6.8		5.2	4.1
18	8.0	8.0	8.0	6.5	6.6		5.1	5.1		3.9
20	8.0	8.0	8.0	6.4	6.4	5.0	4.9	3.8	3.7	
22	7.6	7.9	7.7	6.2	6.2	4.9	4.7	3.8	3.6	2.6
24	6.6	6.8	6.8	6.1	6.0	4.8	4.6	3.7	3.4	2.6
26	5.8	6.0	5.9	6.0	5.5	4.7	4.4	3.6	3.3	2.6
28	5.1	5.3	5.2	5.5	5.3	4.3	4.3	3.5	3.2	2.5
30	4.5	4.6	4.6	4.8	4.7	4.3	4.1	3.4	3.1	2.4
32	4.0	4.1	4.1	4.3	4.2	4.2	4.0	3.3	3.0	2.4
34	3.5	3.6	3.6	3.8	3.7	4.0	3.8	3.2	2.9	2.3
36	3.1	3.2	3.2	3.4	3.3	3.5	3.4	3.2	2.8	2.3
38	2.8	2.8	2.9	3.0	3.0	3.2	3.0	3.1	2.7	2.2
40	2.5	2.5	2.5	2.7	2.6	2.8	2.7	2.9	2.6	2.1
42	2.2	2.2	2.2	2.3	2.3	2.5	2.4	2.6	2.4	2.1
44	1.9	1.9	2.0	2.1	2.1	2.2	2.1	2.3	2.2	2.0
46	1.7	1.7	1.7	1.8	1.8	1.9	1.9	2.0	1.9	2.0
48	1.4	1.5	1.5	1.6	1.6	1.7	1.7	1.8	1.7	1.9
50	1.2	1.2	1.3	1.4	1.4	1.5	1.5	1.6	1.5	1.7
52			1.1	1.1	1.2	1.3	1.3	1.4	1.3	1.5
54					1.0	1.1	1.1	1.2	1.1	1.3
56								1.0	1.0	1.1



固定副臂起重性能表(带主臂吊钩) Fixed jib lifting capacity list (with boom hook block)

主臂长 Boom length(m)	31									
副臂长 Jib length(m)	7		10		13		16		19	
副臂安装角度(°) Jib angle	10	30	10	30	10	30	10	30	10	30
工作幅度(m) Working radius	10	30	10	30	10	30	10	30	10	30
9	12.0									
10	12.0		8.4							
12	11.5	8.2	7.9		5.9		4.4			
14	11.0	8.0	7.2	5.2	5.6		4.1		2.9	
16	10.3	7.8	6.8	5.0	5.2	3.6	3.8		2.6	
18	9.8	7.6	6.5	4.8	4.9	3.2	3.5	2.4	2.4	
20	8.4	7.4	6.2	4.6	4.7	3.1	3.3	2.4	2.2	1.4
22	7.2	7.1	5.9	4.5	4.4	3.0	3.1	2.3	2.0	1.4
24	6.2	6.3	5.6	4.0	4.2	2.9	2.9	2.2	1.8	1.3
26	5.4	5.4	5.4	3.9	4.0	2.8	2.7	2.1	1.7	1.2
28	4.7	4.7	4.8	3.9	3.6	2.7	2.5	2.0	1.5	1.1
30	4.1	4.1	4.2	3.8	3.4	2.6	2.4	1.9	1.4	1.1
32	3.6	3.6	3.6	3.7	3.3	2.5	2.2	1.8	1.3	1.0
34	3.1	3.1	3.2	3.2	3.1	2.5	2.1	1.7	1.2	0.9
36			2.8	2.8	2.9	2.5	1.9	1.6	1.1	0.8
38				2.4	2.5	2.4	1.8	1.5	1.0	0.7
40					2.2	2.2	1.7	1.5	0.9	0.7
42							1.6	1.4	0.8	0.6
44								1.4	0.8	0.6
46										0.6

主臂长 Boom length(m)	37									
副臂长 Jib length(m)	7		10		13		16		19	
副臂安装角度(°) Jib angle	10	30	10	30	10	30	10	30	10	30
工作幅度(m) Working radius	10	30	10	30	10	30	10	30	10	30
10	12.0									
12	11.5	8.3	7.8		6.0					
14	11.0	8.1	7.4	5.2	5.7		4.2		3.0	
16	10.6	7.9	7.1	5.1	5.4	3.7	3.9		2.7	
18	9.6	7.7	6.7	4.9	5.1	3.5	3.7	2.4	2.5	
20	8.1	7.5	6.4	4.8	4.9	3.2	3.5	2.4	2.3	1.4
22	6.9	7.1	6.2	4.6	4.6	3.1	3.3	2.3	2.1	1.3
24	5.9	6.0	5.9	4.5	4.4	3.0	3.1	2.2	2.0	1.2
26	5.1	5.2	5.2	4.1	4.2	2.9	2.9	2.1	1.8	1.1
28	4.4	4.5	4.5	4.0	3.8	2.8	2.8	2.0	1.7	1.1
30	3.8	3.9	3.9	3.9	3.6	2.7	2.6	1.9	1.6	1.0
32	3.3	3.3	3.4	3.5	3.5	2.6	2.4	1.8	1.5	0.9
34	2.8	2.9	2.9	3.0	3.0	2.6	2.3	1.7	1.4	0.8
36	2.4	2.4	2.5	2.6	2.6	2.5	2.2	1.6	1.3	0.8
38	2.1	2.1	2.1	2.2	2.2	2.3	2.0	1.6	1.2	0.7
40	1.7	1.7	1.8	1.9	1.9	2.0	1.9	1.5	1.1	0.7
42			1.5	1.5	1.6	1.7	1.7	1.5	1.0	0.6
44					1.4	1.4	1.4	1.4	0.9	0.6
46							1.1	1.2	0.9	0.6
48								0.9	1.0	0.5
50									0.7	0.5
52										0.5



固定副臂起重性能表(带主臂吊钩) Fixed jib lifting capacity list (with boom hook block)

主臂长 Boom length(m)	43									
副臂长 Jib length(m)	7		10		13		16		19	
副臂安装角度(°) Jib angle	10	30	10	30	10	30	10	30	10	30
工作幅度(m) Working radius	10	30	10	30	10	30	10	30	10	30
12	8.0									
14	8.0	8.0	8.0		5.8		4.2			
16	8.0	7.9	8.0	5.1	5.5		4.0		2.8	
18	8.0	7.8	8.0	5.0	5.3	3.6	3.8		2.6	
20	7.8	7.6	8.0	4.8	5.0	3.2	3.6	2.4	2.4	
22	6.6	6.8	8.0	4.7	4.8	3.1	3.4	2.3	2.3	1.4
24	5.6	5.8	8.0	4.6	4.6	3.0	3.2	2.2	2.1	1.2
26	4.8	4.9	8.0	4.5	4.4	2.9	3.1	2.1	2.0	1.2
28	4.1	4.2	8.0	4.1	4.0	2.9	2.9	2.0	1.8	1.1
30	3.5	3.6	8.0	3.8	3.7	2.8	2.8	1.9	1.7	1.0
32	3.0	3.1	8.0	3.2	3.2	2.7	2.6	1.9	1.6	1.0
34	2.5	2.6	8.0	2.8	2.7	2.7	2.5	1.8	1.5	0.9
36	2.1	2.2	8.0	2.3	2.3	2.5	2.4	1.7	1.4	0.9
38	1.8	1.8	8.0	2.0	2.0	2.1	2.0	1.7	1.3	0.8
40	1.4	1.5	8.0	1.6	1.6	1.8	1.7	1.6	1.2	0.7
42	1.2	1.2	1.2	1.3	1.3	1.4	1.4	1.5	1.2	0.7
44	0.9	0.9	1.0	1.0	1.1	1.2	1.1	1.3	1.1	0.7
46			0.7	0.8	0.8	0.9	0.9	1.0	0.9	0.6
48				0.5	0.5	0.6	0.7	0.7	0.8	0.6
50								0.5	0.5	0.6

主臂长 Boom length(m)	49									
副臂长 Jib length(m)	7		10		13		16		19	
副臂安装角度(°) Jib angle	10	30	10	30	10	30	10	30	10	30
工作幅度(m) Working radius	10	30	10	30	10	30	10	30	10	30
12	8.0									
14	8.0		7.5							
16	8.0	8.0	7.2		5.6		4.0		2.9	
18	8.0	8.0	7.0	5.3	5.3	3.9	3.8		2.7	
20	7.6	7.9	6.7	5.1	5.1	3.7	3.6	2.6	2.5	
22	6.4	6.6	6.5	5.0	4.9	3.6	3.5	2.6	2.3	1.4
24	5.4	5.6	5.5	4.9	4.7	3.5	3.3	2.5	2.2	1.4
26	4.6	4.8	4.7	4.8	4.3	3.4	3.2	2.4	2.1	1.3
28	3.9	4.0	4.0	4.2	4.1	3.1	3.0	2.3	1.9	1.3
30	3.3	3.4	3.4	3.6	3.5	3.0	2.9	2.2	1.8	1.2
32	2.8	2.9	2.9	3.0	3.0	2.9	2.8	2.1	1.7	1.1
34	2.3	2.4	2.4	2.6	2.5	2.7	2.5	2.0	1.6	1.1
36	1.9	2.0	2.0	2.1	2.1	2.3	2.1	1.9	1.5	1.0
38	1.5	1.6	1.6	1.8	1.7	1.9	1.8	1.8	1.4	1.0
40	1.2	1.3	1.3	1.4	1.4	1.6	1.4	1.7	1.3	0.9
42	0.9	1.0	1.0	1.1	1.1	1.3	1.2	1.4	1.2	0.8
44	0.7	0.7	0.7	0.8	0.8	1.0	0.9	1.1	0.9	0.8
46			0.5	0.6	0.6	0.7	0.6	0.8	0.7	0.7
48						0.5	0.6	0.5	0.7	0.7



工作条件及注意 Working conditions and cautions

工作条件 Working conditions

1. 本起重机的的工作条件为：臂长 < 50m 时风速小于 13.8m/s, 臂长 > 50m 时风速小于 8.3m/s, 环境温度 -20°C ~ +40 °C, 地面倾斜度小于 1%;
The crane working conditions: boom length < 50m when wind speed is less than 13.8m/s; boom length > 50m when wind speed is less than 8.3m/s; the ambient temperature is -20°C ~ +40°C; and the ground gradient is less than 1%.
2. 载荷表中的额定起重量, 是指在满足给定的工作条件下, 重物自由悬挂, 在坚实地面缓慢起吊重物, 起重机不行走时的最大起重量。作业者须视各种不良条件 (如地面松软或不平、风力、侧面负荷、摆动作用、多台起重机合力起吊等) 限制或降低起重机的起重量;
The rated lifting load in the chart are the maximum lifting capacity on the condition that the given working conditions are met and the load is in the state of free suspension and lifted slowly from the solid ground. Operators should limit or reduce lifting capacity according to different conditions (such as soft or uneven ground, wind force, side loading, oscillating action, several crane cooperate-lifting).
3. 载荷表中额定起重量包括主吊钩、钢丝绳和其它所有吊具的重量, 各吊钩及臂端单滑轮的重量见下表:
The rated lifting capacity in the chart includes the weight of main hook block, wire rope and all slings. The weight of each hook block and boom single top is shown in the table below:

85t吊钩 85t hook block	50t吊钩 50t hook block	25t吊钩 25t hook block	8t吊钩 8t hook block	臂端单滑轮 Boom single top
1.16吨 ton	0.77吨 ton	0.3吨 ton	0.26吨 ton	0.093吨 ton

4. 载荷表中没有列出额定载荷值的空白区为非工作区, 起重机不允许在该区域内进行起重作业;
The blank area of the chart where no rated lifting load listed is regarded as non-operation area, so crawler crane is not allowed to carry out lifting operation in this area.
5. 表中起重量为带全配重的起重量;
The lifting load in the chart includes the lifting capacity of full counterweight.
6. 本机允许带载低速行驶, 主臂工况、臂端单滑轮工况可带 90% 额定载荷直线行走, 固定副臂工况可带 50% 额定载荷直线行走;
This crawler crane is allowed to travel slowly with a suspended load, boom and boom single pulley working mode the maximum load weight is 90% of rated lifting load given in the load chart; fixed jib working mode the maximum load weight is 50% of rated lifting load given in the load chart for the crane travel.
7. 吊钩及倍率的选取 Selection of hook block and parts of line
在任何情况下, 吊钩的选取必须满足吊钩的额定起重量大于或等于实际吊重量 (包括钢丝绳及吊具等)
In any case, the selection of hook block must satisfy that the hook block rated lifting load is more than or equal to the actual lifting load (including wire rope, slings and etc.).

倍率按下表选取: Parts of line is according to the table below:

倍率 Parts of line	1	2	3	4	5	6	7	8	9	10	11	12
最大起重量 Max lifting load	8	16	24	32	40	47	55	63	70	77	84	85

单倍率用于臂端单滑轮。The one part of line is used for boom single top.



备忘录 Memo

Официальный дилер
спецтехники XCMG в России
+7 (495) 641-80-47
info@techno-xcmg.ru

Официальный дилер
спецтехники XCMG в России
+7 (495) 641-80-47
info@techno-xcmg.ru