

For more information on XCMG products, dealer services,
and industry solutions, visit us on the web at www.xcmg.com

1st Jan 2014 XCMG
All Rights Reserved

Materials and specifications are subject to change without notice.
Featured machines in photos may include additional equipment.
See your XCMG dealer for available options.

XCMG, WWW.XCMG.COM, their respective logos, "XCMG For Your Success",
as well as corporate and product identity used herein,
are trademarks of XCMG and may not be used without permission.



XUZHOU CONSTRUCTION MACHINERY GROUP IMP. & EXP. CO., LTD



XCMG Headquarters, Xuzhou Economic Development Zone,
Jiangsu, China 221004



(+86-516) 87739230



XCMG Regional Departments:

West Asia & North Africa	(+86-516) 87739251	87739202	87739223
Asia-Pacific	(+86-516) 87739500	87739529	87739233
Central Asia	(+86-516) 87739218	87739239	87739510
North America	(+86-516) 87739285	87739551	87739713
South America	(+86-516) 87739196	87739714	87739187
Africa	(+86-516) 87739501	87739222	87739709
Europe	(+86-516) 87739238	87739271	87739228



export@xcmg.com



WWW.XCMG.COM

XCMG For Your Success

XS183	
Operating Weight (Kg)	18000
Rolling Width (mm)	2130
Static Linear Load (N/cm)	529
Engine Model	DEUTZ BF6M2012C
Engine Rated Output (Kw/r/min)	136/2200

XS183/203/223

SINGLE DRUM VIBRATORY ROLLER

XS183/203/223

SINGLE DRUM VIBRATORY ROLLER

Product Description

The XS183/203/223 is a heavy duty full hydraulic vibration roller. As a new generation XCMG roller, the machine can offer enhanced performance, cooling capacity, reliability and intelligent control.

Performance Characteristics

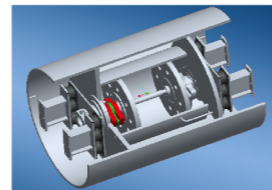
Outstanding Compaction Performance

Developed based on domestic research data and using advanced international optimisation design, the machine can offer outstanding compaction performance.



Long Service Life

The fully integrated pressure wheel, together with special XCMG reinforced vibration bearings featuring dipper lubrication technology, can extend the service life of the vibration wheel by two fold.



Efficient & Stable Power System

The Deutz water-cooled turbocharged engine provides large power reserves, low fuel consumption and low noise generation. The maintenance free cooling sieve with flexible tight seals and deflective air vent ensure high cooling capacity, ensuring the machine runs stably and efficiently.



Comfortable & Convenient Operation

The wide cab has good sealing, damping and sound insulation, as well as air-conditioning, radio and a seat with suspension to provide maximum comfort. The forward and reverse gear are controlled through a single electrohydraulic shaft with constant speed variation. The colour LCD display provides the operator with all essential information to facilitate intelligent control.



Excellent Specifications

The vehicles use imported key parts, such as the engine, hydraulic components and drive axles.



Streamlined design

XCMG's new generation full-hydraulic single drum vibratory roller adopts a streamlined design shape, to ensure a more artistic appearance and wider driving view.

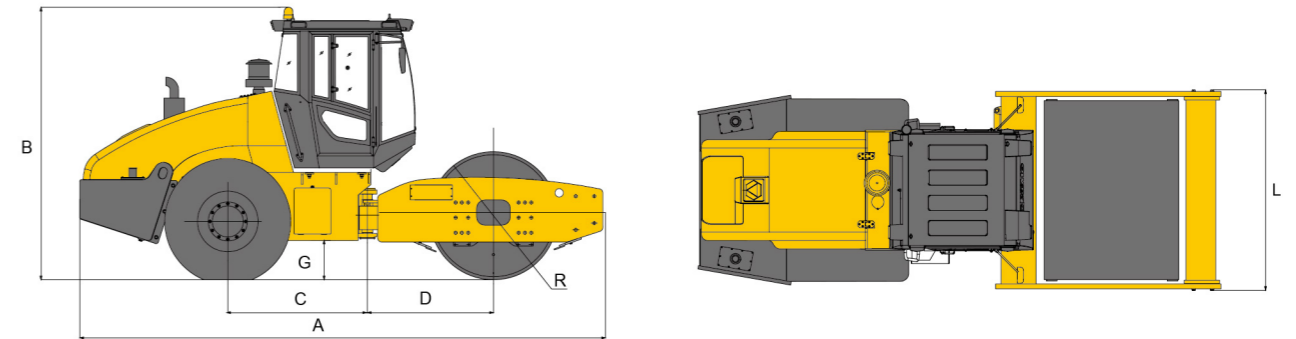


Convenient Maintenance

The front tilting hood with a large opening angle provide convenient access for maintenance. The hydraulic position lock system ensures safety for operators.



Overall Dimensions (mm)



Model	A	B	C	D	G	R	L
XS183	6222	3200	1660	1500	466	1523	2390
XS203	6222	3200	1660	1500	466	1600	2430
XS223	6222	3200	1660	1500	466	1600	2430

Main Technical Parameters

Item	XS183	XS203	XS223	Unit	
Weights	Operating mass	18000	20000	22000	kg
	Load applied on front drum	11500	13500	15000	kg
	Load applied on rear wheels	6500	6500	7000	kg
Compaction Characteristics	Compaction width	2130	2130	2130	mm
	Static linear load	529	621	704	N/cm
	Vibration frequency(Low/High)	28/33	28/33	28/33	Hz
	Nominal amplitude(High/Low)	1.86/0.93	1.86/0.93	1.86/0.93	mm
Driving Characteristics	Exiting force(High/Low)	340/240	370/255	390/270	KN
	Travel speed	0~10	0~10	0~10	km/h
	Steering angle	±33	±33	±33	°
	Swing angle	±10	±10	±10	°
	Theoretical agreeability	50	50	50	%
	Min. turning external radius	6500	6500	6500	mm
Engine	Engine model	DEUTZ BF6M2012C	DEUTZ BF6M2012C	DEUTZ BF6M2012C	
	Engine power	136	136	136	kw
	Rated rotating speed	2200	2200	2200	r/min
	Engine oil consumption	222	222	222	g/kW.h
Service Refill Capacities	Hydraulic oil tank capacity	240	240	240	L
	Fuel tank capacity	240	240	240	L

Note: CUMMINS engine is optional for XS183/XS203/XS223