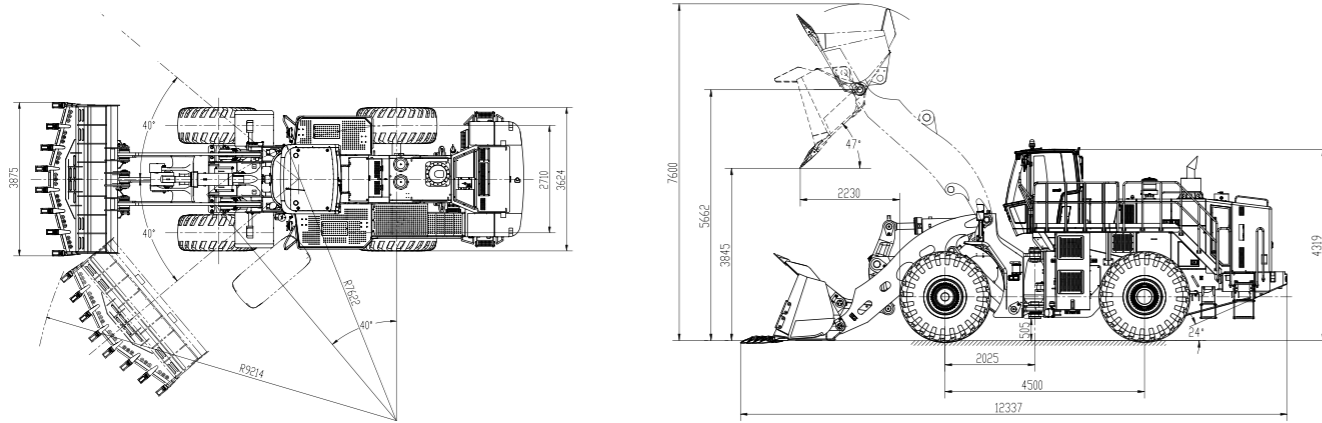


Outline Dimensions



Description	Specification	Unit
Wheel base	4500	mm
Wheel tread	2710	mm
Dump clearance at maximum lift	3845	mm
Reach at maximum lift	2168	mm
Minmum ground clearance	505	mm
Overall machine dimension L×W×H	12337×3875×4319	mm

MAIN SPECIFICATIONS

Description	Specification	Unit
Rated operating load	12000	kg
Bucket capacity	6.5	m ³
Machine weight	50000	kg
Max.breakout force	394	kN
Total hydraulic cycle time	15.3	s
Min.turning radius overtyes	7622	mm
Articulation angle	40	°
Gradeability	25	°
Tyre size	Radial35/65R33	
Model	CumminsQSK19	
Rated Power/speed	418/2000	kW/rpm
Travel speed	I-gear(F/R)	6.5/6.5 km/h
	II-gear(F/R)	12/12 km/h
	III-gear(F/R)	20/20 km/h
	IV-gear(F)	33/33 km/h

No further information of sample contents, product structure and configuration parameters updates.
There maybe some difference between sample books and material objects.Please kind prevail.



XCMG Construction Machinery Co., Ltd.

Address: NO.99 North Kungpeng Road, Xuzhou Economic Development Zone, jiangsu, China 221004
Tel: +86-51687560288 FAX: +86-51683111363 E-mail: sales@xcmg.com Website: <http://www.xcmg.com>

20170330

LW1200KN

WHEEL LOADER



Description	Specification
Operating Weight	6.5m ³
Rated Operating Load	12000kg
Operating weight	50000kg
Dump Clearance	3845mm
Max. Breakout Force	394kN



LW1200KN

Product Overview

LW1200KN wheel loader is the China's largest tonnage loader independently developed by XCMG, featuring firm structure, strong power, high stability and reliability, high safety and comfort, and energy-saving and high efficiency. Leading the technologic development of China's large-tonnage loaders, it's the first choice of manufacturing equipment for ports, logistics, and large-size mines.



Model Characteristics

- The XCMG's latest integral FOPS&ROPS cab is globally developed and designed to incorporate the world's most advanced technologies and reach the world's leading level.
- The integral cab structure is connected with the frame by silicone oil shock absorbers and is equipped with air cushioned seats, featuring large space, broad visual field, good sealing performance, low noise, and high safety and comfort.
- The scientifically matched and in-depth optimized drive system assembly and the world's leading quality drive parts ensure the high stability and reliability of the drive system and realize the maximum utilization of engine power.
- The load-sensing variable technology is adopted to supply pressure and flow depending on the working needs, which improves the fuel utilization efficiency by 15%.

LW1200KN

Heavy-Duty Design Ensures High Firmness and Reliability

Power and drive systems of remarkable quality

- The Cummins electronic control, direct injection, turbocharged engine features high torque reserve coefficient, energy-saving, environment-friendliness, and strong power.



- The split transmission and torque converter system, single-turbine three-element torque converter, and AMT full-automatic electronic control transmission feature simple structure and higher reliability.

- The full-hydraulic maintenance-free wet-type drive axle equipped features fast response, stable braking, and high safety and reliability.
- The drive axle is equipped with forced radiator system to forcibly cool the friction plates of wet-type brake and effectively prolong the service life of axle.



Enhanced drive shaft

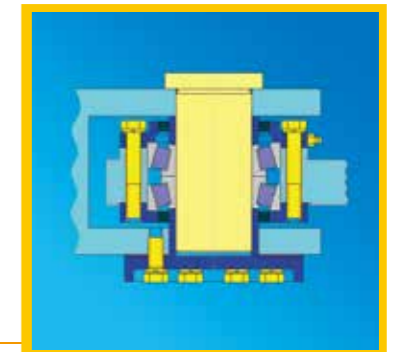
- The enhanced drive shaft features stronger torsion resistance and more stable and more reliable drive.

Firm frame and working device

- The working device is design optimized to the maximum extent and is made of high strength steel plates to ensure high firmness and durability.



- The double-row tapered roller bearings are adopted for the upper and lower hinge pins of front and rear frames, featuring high carrying capacity and high stability and reliability.



- Through the finite element analysis and optimization, the front and rear frames feature reasonable layout, high stiffness, and strong overload resistance and are resistant to the torsions and impacts under various working conditions.

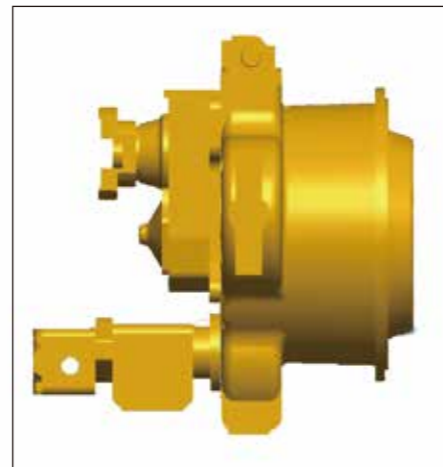


LW1200KN

Environment-Friendliness, Energy-Saving, and High Efficiency

Low emission and low fuel consumption

- The China-III engine equipped features low emission, energy-saving, and environment-friendliness.
- The high torque engine works together with high capacity torque converter to ensure maximum efficiency and greatly reduce the fuel consumption.



High efficiency drive system

- The LW1200KN is equipped with split transmission and torque converter system and AMT full-automatic electronic control transmission with four-forward and four-reverse gears, featuring high power transmission efficiency.
- The large diameter clutch works together with gears to ensure high torque resistance and higher working efficiency.



High efficiency hydraulic system

- The load-sensing variable technology is adopted to supply pressure and flow depending on the working needs, to reduce the fuel consumption by 15%.

- The electro-hydraulic proportional joystick equipped realizes light operations and greatly improves the working efficiency.



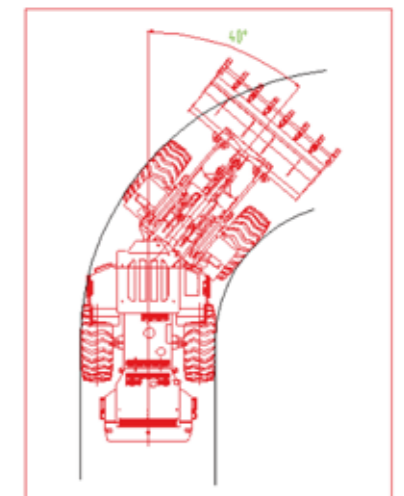
High efficiency working device

- The lightweight design is adopted for the working device to reduce the fuel consumption by 5%.
- The limit sensing mechanism with angle memory function is equipped to realize more accurate limit during lifting and dumping, greatly reduce the repetitive operations, and achieve higher working efficiency while lowering the working strength.



Short working cycle

- With up to 40° hinge angle, LW1200KN loaders features stronger site adaptability, shorter running distance, higher working efficiency, and lower working cost.



Human-Oriented and High Comfort and Safety

■ XCMG new FOPS&ROPS pressurized cab

- The silicone oil shock absorbers are adopted to connect the cab with the frame to realize the flexible vibration transmission and greatly reduce the jitter within the cab.
- The all-new modeling of the cab realizes large space, broad visual field, and good sealing performance.
- The high power heating and air conditioning system with intelligent temperature control and the pressurized cab provide a super-quiet and dust-free comfortable operating environment with appropriate temperature to you.
- The noise around ears of operator is $\leq 75\text{dB (A)}$



- The integral structure and built-in framework of the cab protect the cab against rollover and falling objects.
- The steering column is adjustable vertically and longitudinally to adapt to different operators.
- The air cushioned composite control seats are easily adjustable in vertical and longitudinal directions to realize comfortable and safe operations.
- Implement controls are integrated into the right armrest so they move with the operator.



■ Dual-circuit full-hydraulic wet-type brake system

- The brake system adopts two independent hydraulic circuits so that, if one hydraulic circuit is malfunctioned, the other hydraulic circuit can still apply the braking to further improve the safety.

■ Reversing camera system

- The reversing camera system is equipped to reduce the rearview blind zones and improve the working safety.



LW1200KN

Convenient Maintenances

■ Ground service

- LW1200KN adopts the design of ground maintenance and platform service and central maintenance points and the rotatable structure is adopted for multiple positions of the engine hood to ease the maintenances and ensure minimum downtime.



■ Electronic monitoring and sound-light alarm

- The high reliability multi-functional combination instrument equipped accurately monitors the running status of the engine and accurately reads the malfunctions of engine and transmission via CAN bus communication technology. With sound-light alarm and indication, the LCD screen accurately displays the running status of the whole machine.



■ GPS system

- Through the GPS terminal system, the operation and maintenance situations of the machine can be timely and accurately understood and the construction status of the machine and the running data of the engine can be mastered.

■ Self-cleaning temperature control fan

- The large-spacing radiator is equipped to effectively prevent the blockage of radiator under sever conditions. In addition, the fan boasts the reversing function to ease the timely cleaning of radiator.



■ Central oil injection

- The central oil adding system saves the oil adding works of the maintenance personnel and improves the oil adding efficiency.
- The optional central lubrication is at your choice.

■ Central pressure measurement

- The pressure measurement ports of the hydraulic system are concentrated to ease the checking and maintenance of the system.



■ Wet-type multi-disc brake

- The full-enclosed wet-type brake system equipped features low wear and maintenance-free.