

Contents 目录

产品亮点 Product highlights	(P02-P02)
主要技术参数 Main technical specification	(P03-P03)
主要零部件 Main parts	(P04-P05)
详细介绍 Detailed introduction	(P06-P11)
工况示意图 Working Mode Illustration	(P12-P12)
主臂工作范围图 Boom working area	(P13-P13)
主臂起重性能表 (不带臂端单滑轮及吊钩) Boom lifting capacity (without boom single pulley and hook block)	(P14-P14)
主臂起重性能表 (带臂端单滑轮及吊钩) Boom lifting capacity (with boom single pulley and hook block)	(P15-P15)
臂端单滑轮起重性能表 (主臂不带吊钩) Boom single pulley lifting capacity list (boom with hook block)	(P16-P16)
臂端单滑轮起重性能表 (主臂带吊钩) Boom Single Top Lifting Performance (boom with hook block)	(P17-P17)
主臂起重性能表 (带固定副臂及吊钩) Boom lifting capacity (with fixed jib and hook block)	(P18-P19)
固定副臂作业范围图 Fixed jib working area	(P20-P20)
固定副臂起重性能表 Fixed jib lifting capacity	(P21-P22)
固定副臂起重性能表 (带主臂及吊钩) Fixed jib lifting capacity (with boom and hook block)	(P23-P24)
工作条件及注意 Working conditions and Cautions	(P25-P25)



产品亮点 Product highlights

01 运输、拆装优化设计

Optimized design of transport and assembly/disassembly

主机采用一体化运输设计，无需拆解履带梁和底节臂，大大节省运输成本，提高拆装效率。
Basic machine is an integrated transport design, without disassembling track frame and boom base, greatly save transport costs and improve the assembly/disassembly efficiency.

独创人字架自扳起技术，无需油缸，可实现自扳起，实现快速组装。
Unique A-frame gantry self-erection technology, no need of cylinder can achieve self-erection, to realize crane quick assembly.

平衡重单件重量不超过2.5t，小型辅助起重设备即可完成平衡重组装。
Single counterweight weighing no more than 2.5t, small auxiliary lifting equipment can achieve complete counterweight assembly.

02 液压系统优化设计

Optimized hydraulic system design

采用集成设计，减少故障点，同时预留开闭的拆装、维修空间。
Integrated design to reduce failure points, while reserve open space for assembly/ disassembly and maintenance.

采用高集成度LUDV主阀，具备多复合操作、合流控制、高低速选择功能，效率保证。
Use of highly integrated LUDV main valve, with the functions of multi-complex operation, control of combined flow, high/low speed selection, to ensure operation efficiency.

可选装行业独有的独立旁路过滤、强力磁性吸附装置，强化液压系统过滤、抗乳化能力。
Optional unique independent bypass filtration in the industry, strong magnetic adsorption device, strengthened hydraulic system filtration, and anti-emulsifying ability.

03 通用化、模块化设计

Universal and modular design

同平台产品固定副臂、臂端单滑轮、两侧平衡重、吊钩、变幅机构、液压泵及主要阀块均能实现通用、互换，大大降低购买、运输及维修成本。
Common platform products with fixed jib, single top, both-sided counterweight hook block, luffing mechanism, hydraulic pump and main valve block can achieve universal and interchangeable use, greatly reduce purchase, transport and maintenance costs.

04 主、副钩一键切换功能(选配)

Main / auxiliary hook one-key-switch-over function (Optional)

可通过一个开关轻松实现主副钩工况的切换，应用范围更广。
One-key-switch is used to easily achieve main/auxiliary hook switch-over, for wider range of applications.



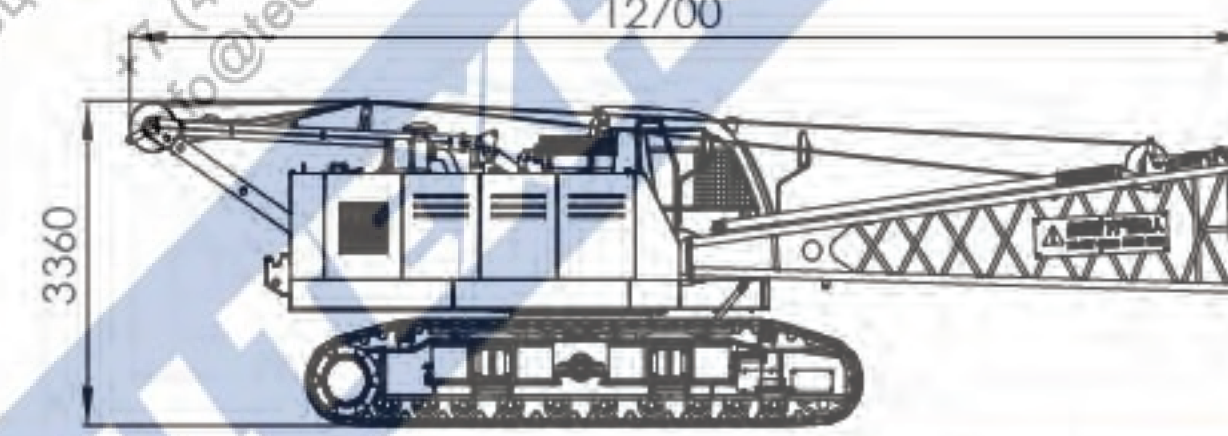
主要技术参数 The main technical parameters



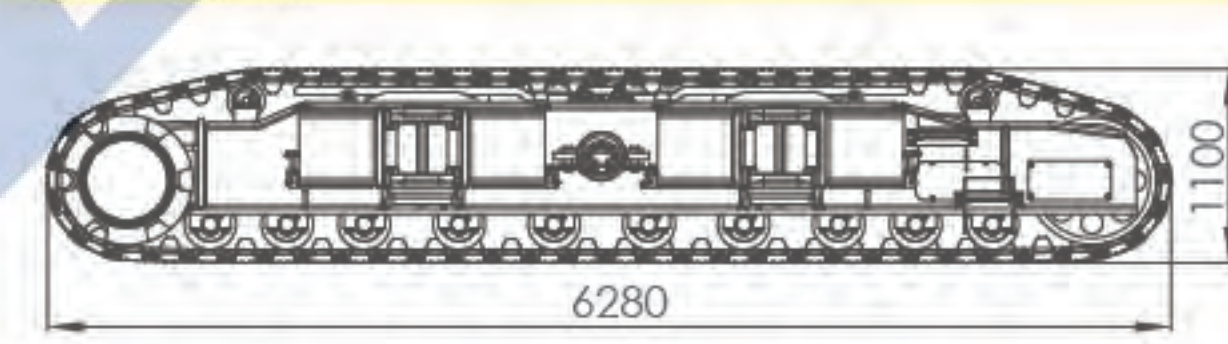
主要零部件 Main parts

项目 (Item)	单位 (Unit)	数值 (Value)
主臂工况 Boom working condition	t	75
臂端单滑轮工况 Boom single pulley working condition	t	6.5
最大额定起重量 Max. rated lifting capacity	t	12
固定副臂工况 (不带主钩) Fixed jib working condition (without main hook block)	t	11.3
固定副臂工况 (带主钩) Fixed jib working condition (with main hook block)	t	11.3
最大起重力矩 Max. load moment	t·m	286
主臂长度 Boom length	m	13-58
主臂变幅角度 Boom luffing angle	°	-3~80
固定副臂长度 Fixed jib length	m	7-19
主臂与固定副臂夹角 Angle between boom and fixed jib	°	10、30
起升机构最大单绳速度 Hoist winch max. single line speed	m/min	128
主臂变幅机构最大单绳速度 Boom luffing winch max. single line speed	m/min	70
最大回转速度 Max. slewing speed	rpm	2.4
最高行驶速度 Max. travelling speed	km/h	1.2
整机质量(基于13m基本臂,75t起重钩) Total vehicle mass (75t hook block, 13m boom)	t	61
平均接地比压 Mean ground pressure	MPa	0.08
爬坡度 Grade-ability	-	30%
运输状态单件最大质量 Max. mass of single unit in transport state	t	37
运输状态单件(转台)最大尺寸(长×宽×高) Max. dimension of single unit in transport state (L×W×H)	m	12.7×3.4×3.4

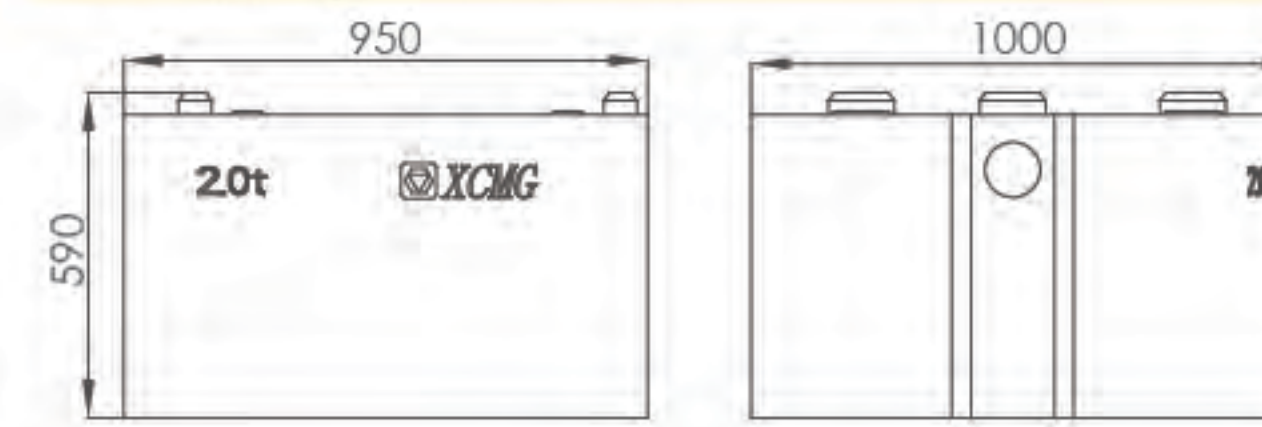
名称	长 L(mm)	宽 W(mm)	高 H(mm)	重量 W (t)	数量
主机 Main engine	12700	3460	3360	36.8	1



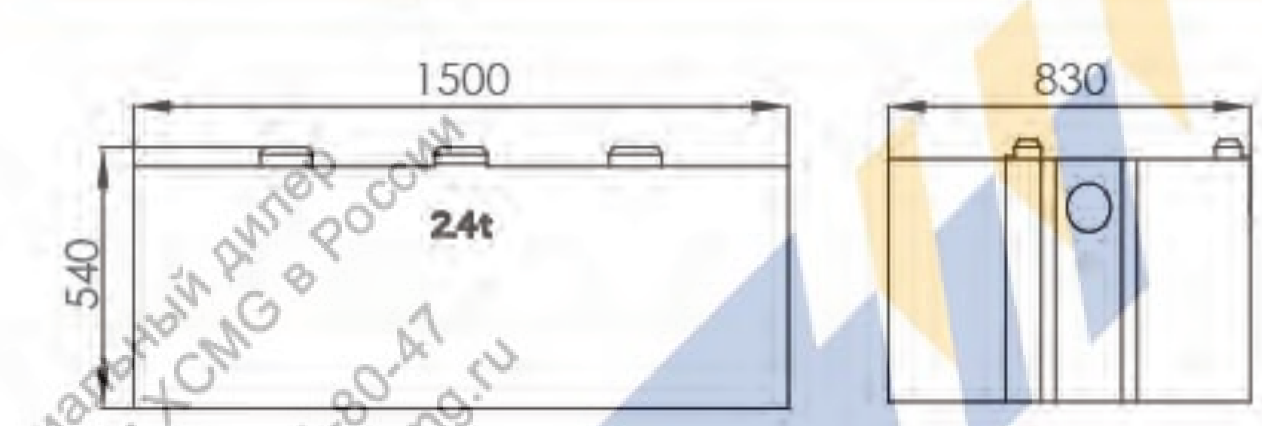
名称	长 L(mm)	宽 W(mm)	高 H(mm)	重量 W (t)	数量
右履带架 Right track frame	6280	980	1100	8.51	1



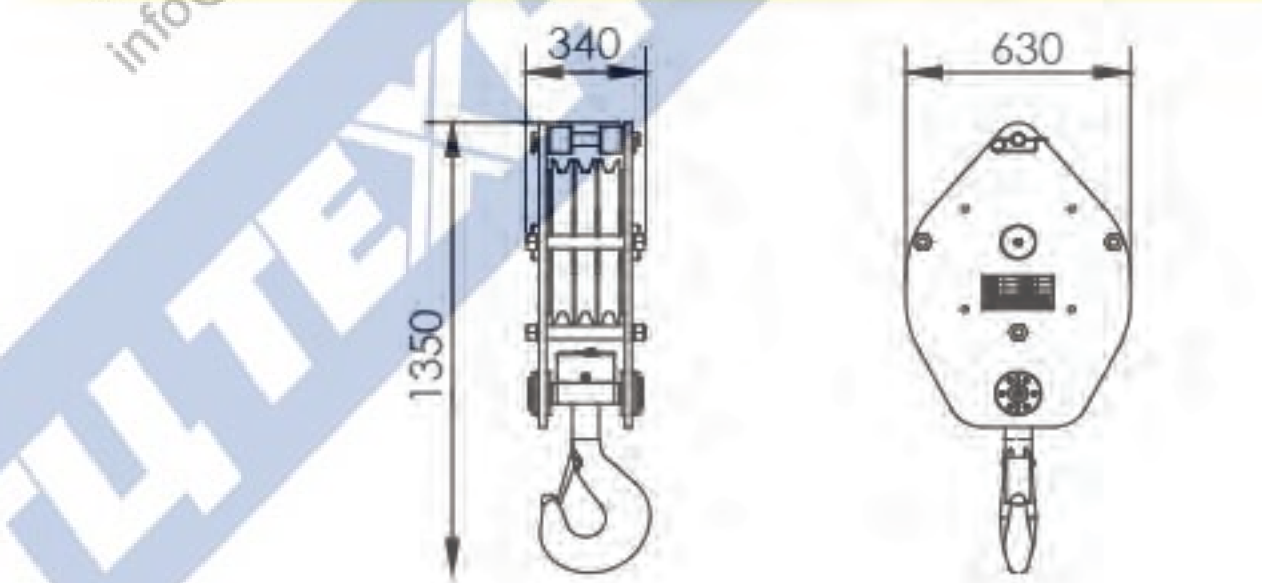
名称	长 L(mm)	宽 W(mm)	高 H(mm)	重量 W (t)	数量
左平衡重块 Left counterweight slab	1000	950	590	2.0	3



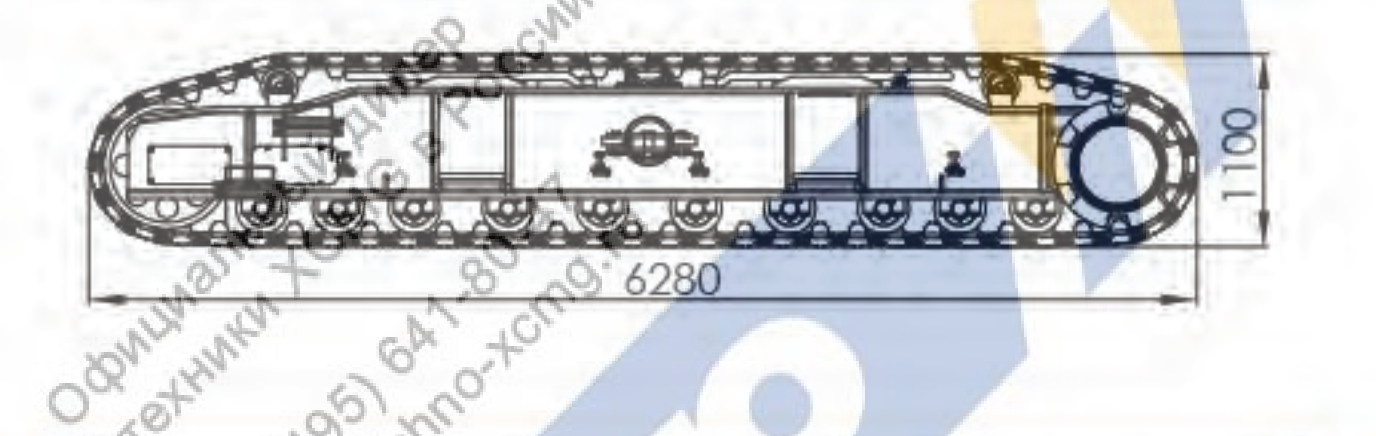
名称	长 L(mm)	宽 W(mm)	高 H(mm)	重量 W (t)	数量
中间平衡重块 Central counterweight slab	1500	830	540	2.4	3



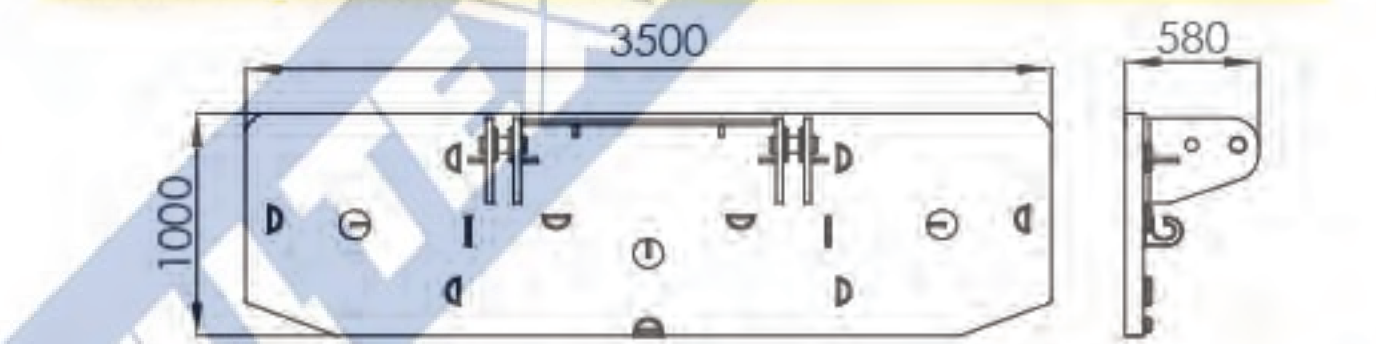
名称	长 L(mm)	宽 W(mm)	高 H(mm)	重量 W (t)	数量
32t吊钩 32t hook block	340	630	1350	0.35	1



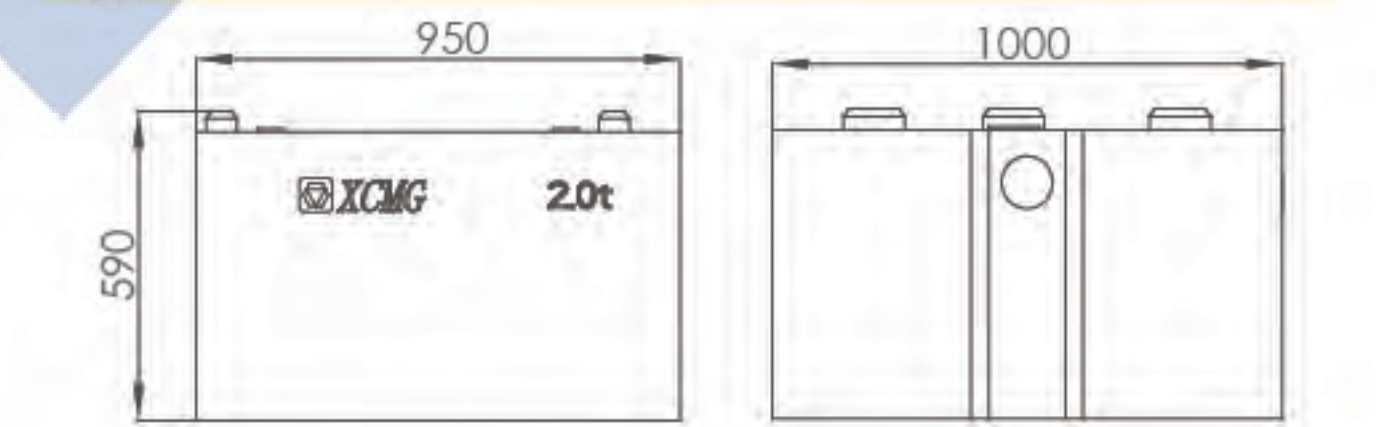
名称	长 L(mm)	宽 W(mm)	高 H(mm)	重量 W (t)	数量
左履带架 Left track frame	6280	980	1100	8.51	1



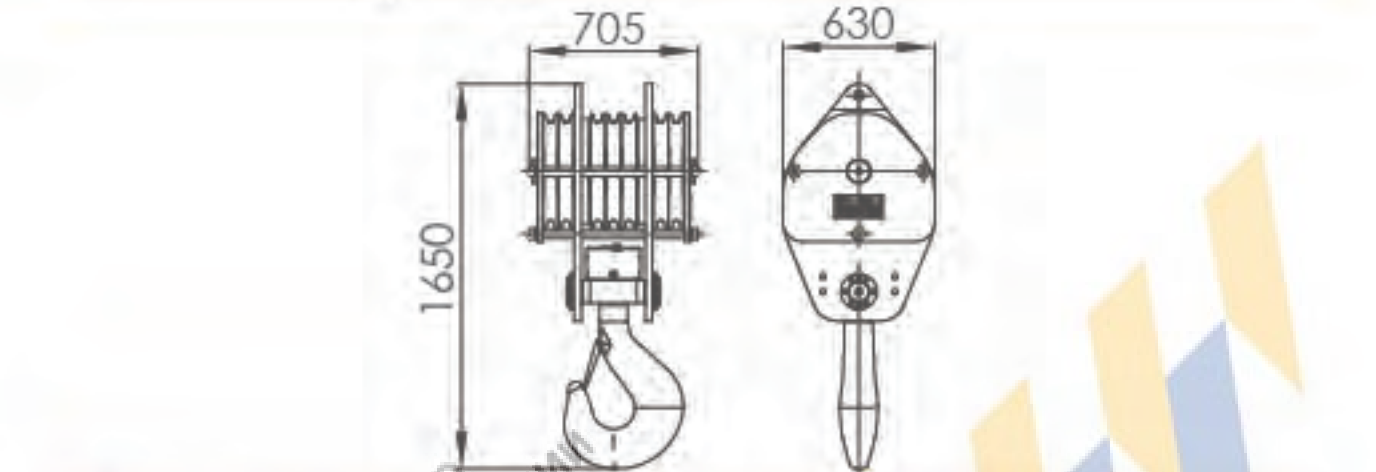
名称	长 L(mm)	宽 W(mm)	高 H(mm)	重量 W (t)	数量
平衡重托架 Counterweight support	3500	1000	580	2.4	1



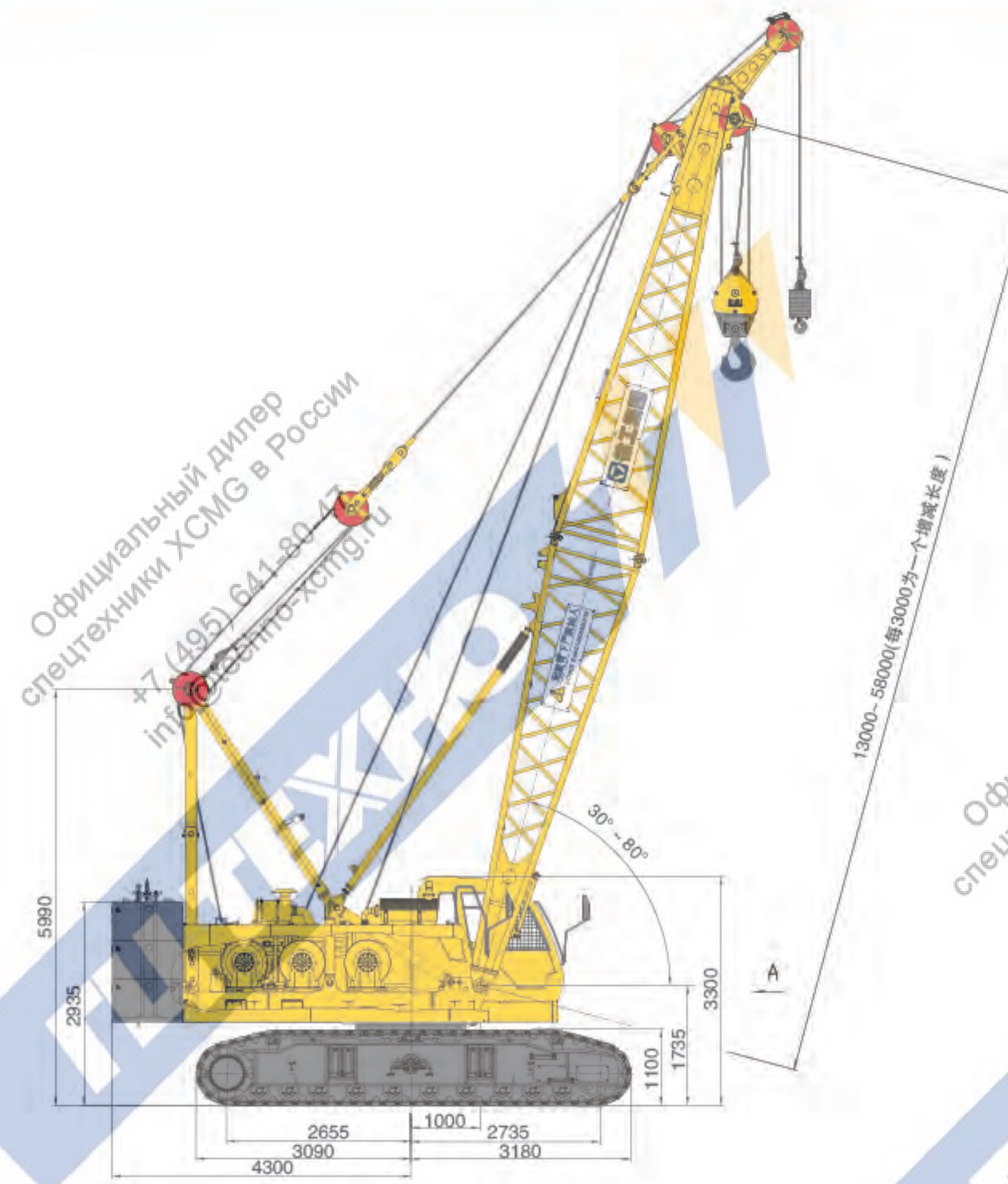
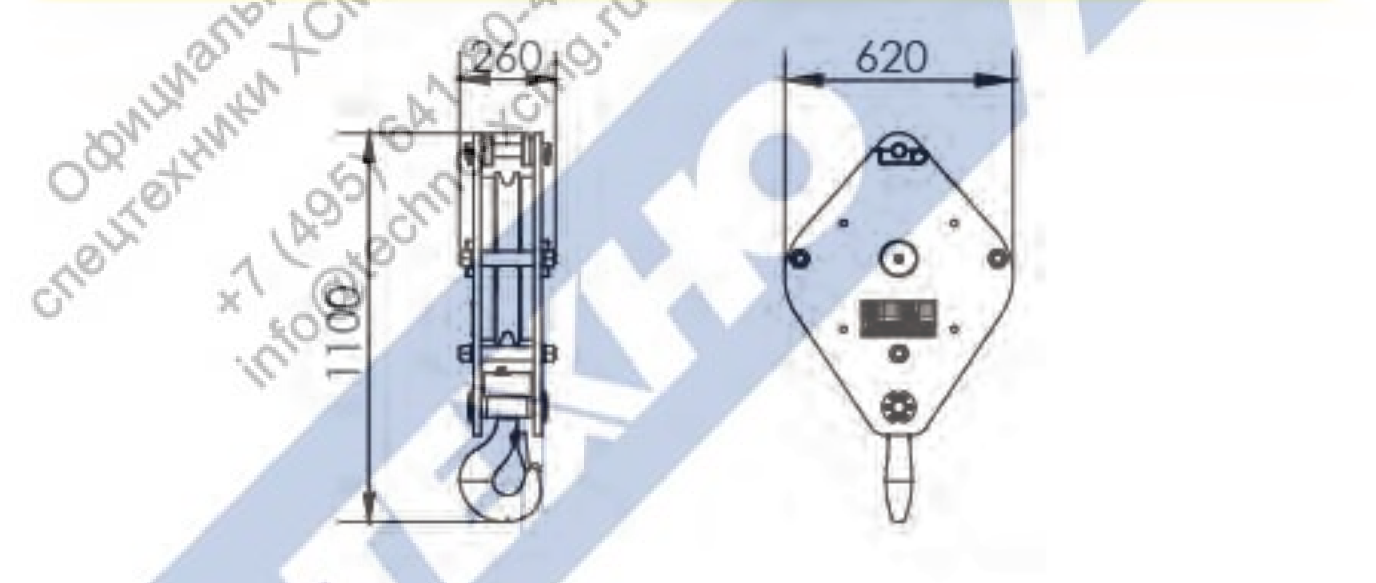
名称	长 L(mm)	宽 W(mm)	高 H(mm)	重量 W (t)	数量
右平衡重块 Right counterweight slab	1000	950	590	2.0	3



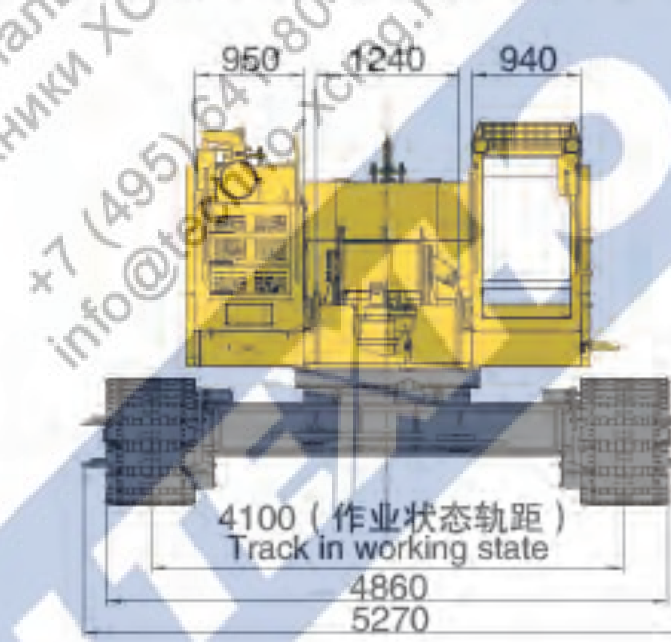
名称	长 L(mm)	宽 W(mm)	高 H(mm)	重量 W (t)	数量
75t吊钩 (选配) 75t hook block (optional)	705	630	1650	0.89	1



名称	长 L(mm)	宽 W(mm)	高 H(mm)	重量 W (t)	数量
16t吊钩 16t hook block	260	620	1100	0.28	1



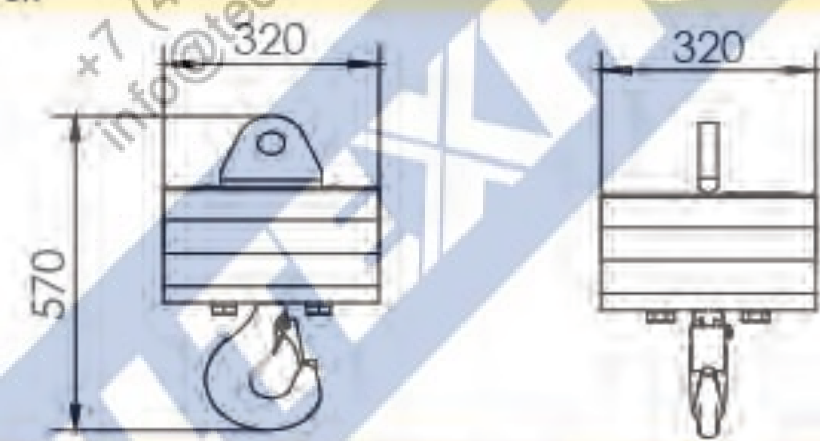
A向 (拆去主起重臂、人字架、变幅滑轮组等)
A direction (main lifting boom, A-frame and luffing pulley block are removed away)



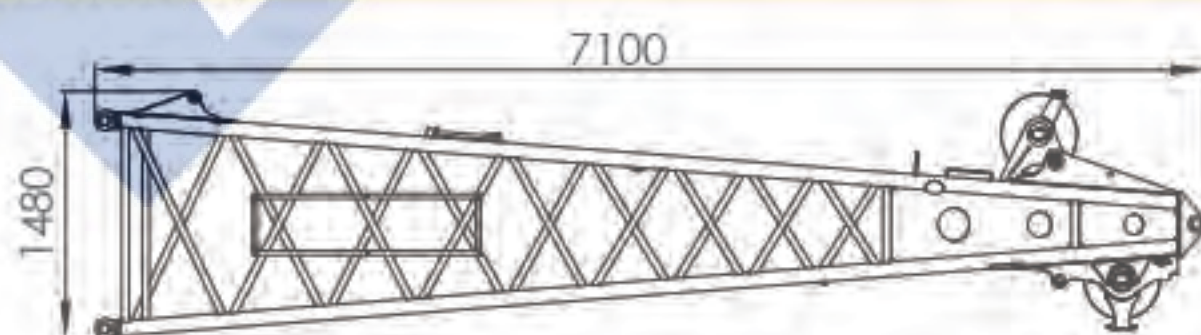


主要零部件 Main parts

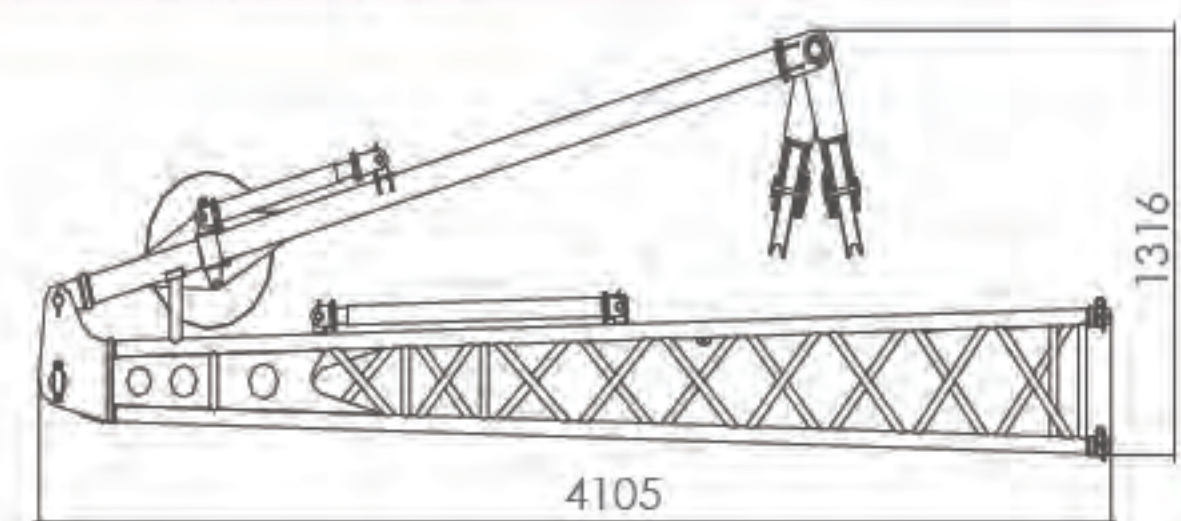
名称	长L(mm)	宽W(mm)	高H(mm)	重量W(t)	数量Quantity
8t吊钩 8t hook block	320	320	570	0.14	1



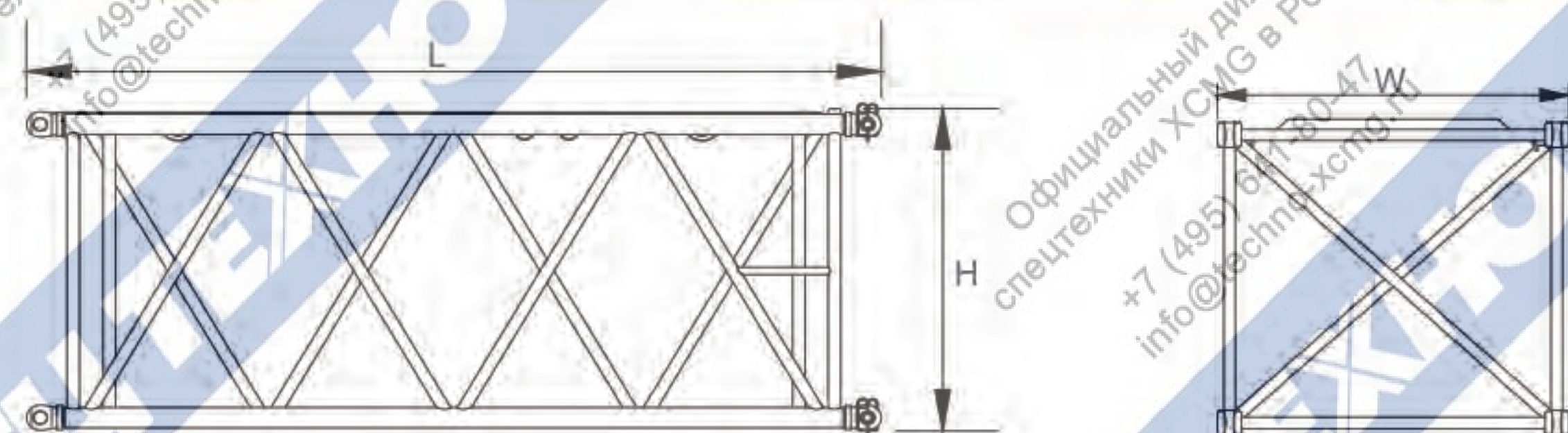
名称	长L(mm)	宽W(mm)	高H(mm)	重量W(t)	数量Quantity
主臂6.5m顶节 6.5m boom top	7100	1510	1480	0.98	1



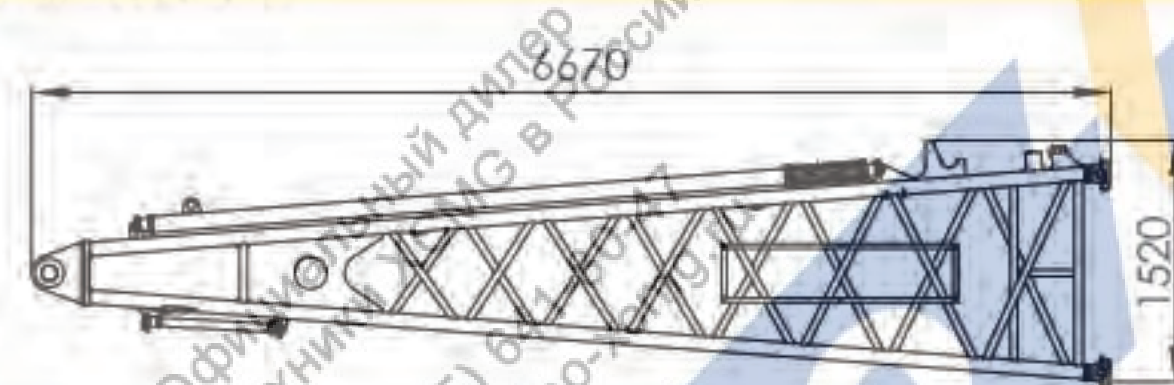
名称	长L(mm)	宽W(mm)	高H(mm)	重量W(t)	数量Quantity
固定副臂底节(含支架) Fixed jib butt (including strut)	4105	700	1316	0.416	1



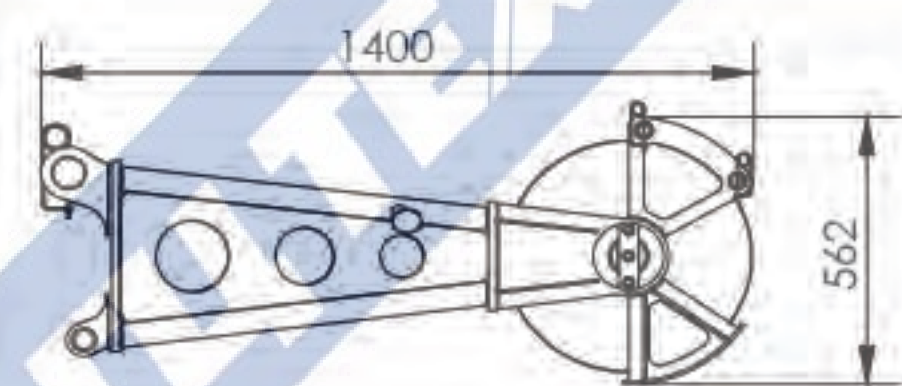
名称	长L(mm)	宽W(mm)	高H(mm)	数量Quantity	单件重量The single weight (t)
主臂9m中间节 9m boom insert section	9100	1590	1370	4	0.78
主臂6m中间节 6m boom insert section	6100	1590	1370	1	0.54
主臂3m中间节 3m boom insert section	3120	1590	1405	1	0.32
固定副臂6m节 Fixed jib 6m	6060	655	485	1	0.192
固定副臂3m节 Fixed jib 3m	3060	655	485	1	0.104



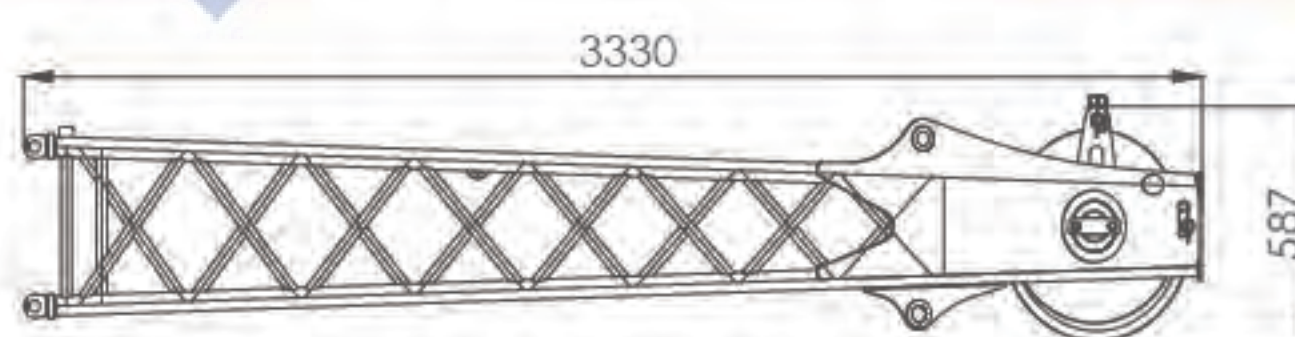
名称	长L(mm)	宽W(mm)	高H(mm)	重量W(t)	数量Quantity
主臂6.5m底节 6.5m boom base	6670	1600	1520	1.09	1



名称	长L(mm)	宽W(mm)	高H(mm)	重量W(t)	数量Quantity
臂端滑轮总成 Boom end pulley assembly	1400	625	562	0.093	1



名称	长L(mm)	宽W(mm)	高H(mm)	重量W(t)	数量Quantity
固定副臂顶节 Fixed jib top	3330	655	587	0.216	1



详细介绍 Description on components and system

上车部分

发动机系统

①型号: 上柴SC7H210.1G2.
额定功率: 155kW/2000rpm
最大扭矩/最大扭矩转速: 920N·m/1300-1500rpm
环保性: 符合国II标准;
②型号: 上柴SC7H210.1G3
额定功率/转速: 155kW/2000rpm
最大扭矩/最大扭矩转速: 930N·m/1300-1600rpm
环保性: 符合国III标准;
③另可选装康明斯QSB6.7发动机;
额定功率: 153kW/1800rpm;
最大扭矩/最大扭矩转速: 931N·m/1300rpm;
环保性: 符合欧III (Stage IIIA) 标准;
燃料箱容量: 400L.

液压系统

采用液压先导比例控制的负载敏感LUDV系统, 可实现与负载无关的流量分配, 速度精准, 操作灵敏, 系统稳定、微动性好。专用LUDV集成式主阀, 可实现任意动作的复合操作, 结构紧凑, 检修方便。创新性采用微控调节技术, 大大提高整车动作的平稳性与精确度。
主起升、副起升具有双泵合流功能, 轻松实现卷扬高低速控制。专用回转缓冲油路设计, 回转启停平稳、柔和, 满足精细吊装作业要求。
液压油箱容积: 400L.

电气系统

电气系统主要包括如下部分: 发动机控制、监测仪表、辅助设备、液压系统控制、力矩限制及安全监控等。
电气系统的构成: 常规电气系统和PLC监控系统。
常规电气系统采用24V并联回路, 用电设备接线采用负极搭铁的单线制。包括电源、启动控制、驾驶室冷暖空调及音响、照明(灯光)、雨刮器等。
PLC监控系统包括主副卷扬、回转、主臂变幅等动作的控制、发动机状态监测。所有动作全部采用液比例控制技术, 通过CAN-bus总线技术的PLC逻辑控制, 能有效保证主机各功能的实现, 充分体现以人为本的设计思想。

Crane Superstructure

Engine

①Standard model: Shanghai Diesel SC7H210.1G2;
Rated output power: 155kW/2000rpm;
Maximum torque / maximum torque speed: 920N·m/1300-1500rpm;
Environmental protection: complaint with China GB II off-road emission standard;
②Model: Shanghai diesel SC7H210.1G3.
Rated power: 155kW/2000rpm
Max. torque/Max. torque speed: 930N·m/1300-1600rpm
Environmental protection: China GB III standard;
③Optional model: Cummins QSB6.7;
Rated output power: 153kW/1800rpm;
Maximum torque / maximum torque speed: 931N·m/1300rpm;
Environmental protection: complaint with Euro III (Stage IIIA) emission standard;
Fuel tank capacity: 400L.

Hydraulic system

Use of LUDV load sensing system controlled by hydraulic pilot proportional control, can achieve flow distribution independent of load, with accurate speed, sensitive operation, system stability, good fine motion. Specialized LUDV integrated main valve can achieve combined operation of any movement, compact structure, and easy maintenance. Innovative use of fine motion control technology greatly improves the stability and precision for the whole machine movements.
Main hoist and auxiliary hoist winches have double pump confluence, easy to achieve winch high/low speed control. Specialized slewing buffer circuit design, slewing start and stop is smooth and soft, to meet the requirements of fine lifting operation.
Hydraulic tank capacity: 400L.

Electrical system

Electrical system mainly includes the following components: engine control, monitor instruments, auxiliary equipment, hydraulic system control, load moment limiter, and safety monitors.
Electrical system composition: conventional electrical system and PLC control system.
Conventional electrical system uses 24V parallel circuit, electric equipment wiring uses negative ground single-line system, including power supply, start control, cab air conditioner and sound, lights (lamps), wiper and so on.
PLC control system includes control of main and auxiliary winches, slewing, boom luffing and other movements, engine condition monitoring. All the movements are used with hydraulic proportional control technology, through PLC logic control of CAN-bus technology, effectively ensure the realization of main machine functions, and fully reflects the people-oriented design.



详细介绍

Description on components and system

起升机构

主起升、副起升机构内置行星减速机，采用负制动设计多片湿式叠片式常闭制动器，实现“弹簧制动/液压释放”功能，安全可靠。采用溅油方式润滑，减少维护保养强度。起升机构还具有换油方便、低噪音、高效率、长寿命等特性，同时具有优良的微速性能。

起升卷筒采用吸振性良好的球墨铸铁制造，双折线绳槽保证钢丝绳多层卷绕不乱绳，有效地延长了钢丝绳的使用寿命。

主起升机构使用独立钢芯、高破断拉力、高抗挤压性的左旋同向捻抗旋转特种钢丝绳。

主起升机构 Main hoist gear	额定单绳拉力 Rated single line pull	6.6t
	钢丝绳直径φ Wire rope diameter	20mm
	长度 Length	240m
副起升机构 Auxiliary hoist gear	额定单绳拉力 Rated single line pull	6.6t
	钢丝绳直径φ Wire rope diameter	20mm
	长度 Length	140m

变幅机构

变幅机构内置行星减速机，采用湿式叠片式常闭制动器，实现“弹簧制动/液压释放”功能。

主变幅卷筒采用球墨铸铁制造的双折线多层卷绕单联卷筒，具有良好的吸振性，可保证钢丝绳多层卷绕不乱绳，有效地延长了钢丝绳的使用寿命。卷筒设有棘轮锁止装置，由液压油缸驱动棘爪，实现多重锁止保护。

变幅机构采用独立钢芯、高破断拉力、结构稳定性极佳的左旋交互捻非抗旋转特种钢丝绳。

变幅机构 Luffing gear	额定单绳拉力 Rated single line pull	6.3t
	钢丝绳直径φ Wire rope diameter	20mm
	长度 Length	135m

回转机构

回转机构与回转支承采用内啮合方式驱动，布置在转台前部，由定量马达驱动行星齿轮减速机通过小齿轮驱动回转支承，实现360°回转。

回转机构内置行星减速机，采用负制动设计的多片湿式叠片式常闭制动器，以实现“弹簧制动/液压释放”功能，确保回转具有极高的制动安全性。回转机构还设有机械式回转锁止装置，以实现回转机构的锁止保护。

偏心机构可保证减速机和回转支承更好啮合，使回转更平稳。回转机构具有自由滑转功能，保证起重物起吊时，当起重吊钩即使不在被吊重物的重心垂直中心线上，也可以消除臂架的侧向力，进而防止作业臂因受到较大侧向力而损坏。

Hoist winch

Main hoist winch and auxiliary hoist winch has built-in planetary reducer, use of negative brake design, multi-plate wet type laminated constant closed brake, to achieve “spring brake / hydraulic release” function, safe and reliable. Hoist winch also has the features of easy oil replacing, low noise, high efficiency, and long service life. It also has excellent micro-speed performance.

Hoist winch drum is made of nodular cast iron with good vibration absorption, bi-fold cord rope grooves ensure no twisting of multi-winding rope, effectively prolong the rope service life.

Main hoist winch uses left-turning same-twisting anti-rotation special rope with independent steel core, high breaking force and high anti-extrusion, rated single line pull 6.6t, rope diameter φ 20 mm, length 240m.

Auxiliary hoist winch also uses left-turning same-twisting anti-rotation special rope with independent steel core, high breaking force and high anti-extrusion, rated single line pull 6.6t, rope diameter φ 20 mm, length 140m.

Luffing winch

Luffing winch has built-in planetary reducer, use of negative brake design, multi-plate wet type laminated constant closed brake, to achieve “spring brake / hydraulic release” function.

Main luffing winch drum is made of nodular cast iron with bi-fold cord multi-winding single drum for good vibration absorption, ensure no twisting of multi-winding rope, effectively prolong the rope service life. The drum has a ratchet locking device, pawl driven by a hydraulic cylinder, to achieve multiple lock protection.

Luffing winch uses left-turning same-twisting anti-rotation special rope with independent steel core, high breaking force and high anti-extrusion, rated single line pull 6.3t, rope diameter φ 20 mm, length 135m.

Slewing unit

Slewing unit with slewing ring is internally engaged drive type, arranged in front of the turntable, driven by constant displacement motor via a planetary gear reducer through pinion to drive slewing ring, to achieve 360° slewing.

Slewing unit has built-in planetary reducer, use of negative brake design, multi-plate wet type laminated constant closed brake, to achieve “spring brake / hydraulic release” function, to ensure slewing with high braking safety. Slewing unit also has a mechanical slewing locking device to achieve locking protection for the slewing unit.

Eccentric mechanism can ensure better engagement between reducer and slewing ring for more stable slewing. Slewing unit has free-swing function to ensure that the lateral force on boom can be eliminated even when the hook block is not on the vertical line of center of gravity of the load in lifting operation, and furthermore to preventing the boom from damage due to large lateral force.



详细介绍

Description on components and system

转台

转台是联系上下车的关键承载结构件，主受力结构采用高强度钢板焊接而成的平板式箱型结构，两侧通过焊接悬臂结构增加整机空间，用于布置固定载荷。转台通过回转支承与下车进行联接。主臂底节、人字架、起升机构、变幅机构和平衡重布置在主受力结构上；操纵室、发动机系统、主泵、液压阀、电控柜等结构布置在两侧悬臂结构上，转台主体结构和两侧悬臂结构根据整机的受力状况设计，结构合理，整体强度和刚度好。

人字架

人字架由双臂结构组成，两肢之间有加强横梁，稳定性好。人字架主要结构为优质无缝钢管，有效减少焊接量，制造缺陷少，安全系数高。人字架上配备自扳起托辊，可在主臂底节臂的配合下实现自扳起功能。

操纵室

操纵室造型采用仿生设计的手法，线条流畅又不失力量感。操纵室玻璃面积更大，侧面的玻璃划分更合理，科技感更强，操纵视野更宽阔。内饰以人为中心进行布置，操作者不用起身即可触碰到所有按键。配置可调式座椅、冷暖空调、电源插座、收音机等，为操作者提供了舒适的操作环境。

下车部分

下车包括车架、履带行走装置等。车架和履带行走装置之间采用插入式连接。

车架

车架为放射型箱型结构，采用高强度钢板焊接而成，整体刚性好、强度大、精度高。上平面经精密机加，确保回转支承的正确安装。

Turntable

Turntable is the key load bearing structure to connect superstructure and undercarriage, the main force structure is welded with steel plate in flat box-type structure, increase the overall space by welded cantilever structure on both sides for arranging the fixed load. Turntable is connected with undercarriage by slewing ring. Boom base, gantry, hoist winch, luffing winch and counterweight are arranged on the main force structure; cab, engine system, main pump, hydraulic valve, electric cabinet and other structures arranged on cantilever structure on both sides; turntable main structure and cantilever structure of both sides are design according to the overall force condition, with reasonable structure, good overall strength and stiffness.

Gantry

Gantry is double-limb structure, with reinforced beam between the two limbs for good stability. Gantry main structure is high-quality seamless steel pipe, with less welding, little manufacturing defects, and high safety factor. Gantry is equipped with self-erection roller, can achieve self-erection function in coordination with boom base.

Operator's cab

Operator's cab is designed in bionic modeling, with smooth lines without losing the sense of power. Cab has a larger glass area, side glass has more reasonable partition, more technological sense, and wider field of vision. Interior decoration is arranged as human-centered lay-out, the driver can touch all the switches and buttons without getting up, equipped with adjustable seats, air conditioner, power supply socket, radio, etc., provides the operator with a comfortable operation environment.

Crane Undercarriage

Crane undercarriage consists of car-body, crawler travel unit and etc. The inserting type connection is used between car-body and crawler travel unit.

Car-body

Car-body is radiation box-type structure welded with high-strength steel plate, with good rigidity, high strength, high precision. Upper plane is by precision machining, to ensure smooth operation of slewing ring.



详细介绍

Description on components and system

履带行走装置

履带行走装置分为左、右履带行走装置，由履带架、履带板、支重轮、驱动轮、导向轮、托链轮及行走机构、张紧装置组成。

履带架：左右对称，各1件。采用高强度钢板焊接成的箱型结构，与车架采用插入式连接方式，抽屉式上下间隙调整装置，确保履带架安装后不会产生横向的八字现象，避免履带板与支重轮产生偏磨。

履带板：高强度耐磨合金钢铸件，宽度760mm，共2×63=126件。

行走机构：常闭式行星齿轮减速机，采用斜轴柱塞马达驱动。行走动力强劲，可实现直线行走、原地转向、单边转向、差速转向及带载行走等动作，有极高的灵活性和机动性。多片湿式常闭制动器，弹簧制动，液压松闸，确保行走具有高的制动安全性。

最高行走速度：1.2km/h。

平衡重

平衡重共21.6t，安装在转台后方，与转台采用销轴挂靠式连接。平衡重组成如下：

平衡重托盘1×2.4t，左右平衡重块6×2t，中央平衡重块3×2.4t。



安全装置

本起重机广泛采用机械、电子和液压等多种安全及报警装置，以确保机器的安全使用。安全装置包括力矩限制器、回转锁定装置、起重臂防后翻装置、起升高度限位装置、起重臂角度限位装置、风速仪、水平仪、摄像头、回转警告及液压系统溢流阀、平衡阀、液压锁等。

安装模式&工作模式切换开关

安装模式下，防过卷装置、起重臂限位装置、力矩限制器等均不起作用，以利于起重机安装；工作模式下，所有安全装置均起作用。

Crawler travel unit

Crawler travel unit is divided into left and right crawler travel unit, consists of track frame, track shoe, track roller, sprocket, idle roller, carrier roller, crawler travel unit, and crawler tensioning device.

Track frame: left/right symmetrical, each of one piece, steel plate welded into box-type structure, inserting type connection with car-body, drawer type device to adjust upper and lower space, to ensure no lateral boroscope phenomenon on track frame after installation, avoid eccentric wear between track shoe and track roller.

Track shoe: high strength wear-resistant alloy steel casting, width 760mm, total 2×63=126 pieces.

Travel unit: constant closed planetary reducer, driven by oblique axis piston motor, with powerful travel, can achieve straight-line walk, steering at a position, single one side steering, differential steering and travel with a load and other movements, for high flexibility and mobility, with multi-plate wet type constant closed brake, spring brake, hydraulic release valve, to ensure travel with high braking safety.

Maximum travel speed: 1.2km/h.

Counterweight

Counterweight is total 21.6t, installed at the rear of turntable, anchored connection by pin shaft, counterweight composition is as the follows:

Counterweight tray 1×2.4t, left/right counterweight slab 6×2t, central counterweight slab 3×2.4t.



Safety Protection Devices

This crane widely uses mechanical, electronic and hydraulic and other safety and warning devices to ensure the safe use of the machine. The safety devices include: load moment limiter, slewing lock device, boom backstop device, hoist limit switch, boom angle limiter, anemometer, electronic level meter, camera, slewing warning and hydraulic system relief valve, balance valve, hydraulic lock, and etc.

Assembly mode & Work mode exchange switch

In Assembly mode, over-wound protection device, boom backstop device, load moment limiter does not work, in order to facilitate crane assembly. In Work mode, all safety devices do work.



详细介绍

Description on components and system

紧急停止按钮

紧急情况下，按下此按钮将停止所有动作。

防过卷装置

臂头设置主起升和副起升过卷装置，防止钢丝绳过卷。当主卷扬、副卷扬上升到一定高度时候，显示器上的过卷指示灯亮，同时力矩限制器停止起升动作。

防过放保护

主起升、副起升机构均设置三圈保护器，避免卷筒放绳时产生过放。当主卷扬、副卷扬钢丝绳只剩三圈时，显示器上的过放指示灯亮，同时力矩限制器停止下落动作。

棘爪锁止装置

该功能用于锁定主变幅卷扬，用于保护臂架在非工作时安全停放。

机械式安全装置

回转锁止装置用于起重机停止时上车的机械限位；主臂、副臂支架防后翻装置，防止臂架及支架的后仰。

起重臂角度限制

主臂架起到规定角度时，起升被停止，由力矩限制器和行程开关双级控制；主臂架在仰角小于规定角度时，下落被停止，由力矩限制器控制并发出声音报警。

起重钩防脱卡

所有起重钩均装有防脱卡板，防止悬挂在起重钩钩头的吊索脱落。

液压系统

配置液压平衡阀、液压溢流阀等装置，保证系统工作时稳定安全。

Emergency stop switch

In emergency conditions, press this button to stop all the crane movements.

Winch over-wound protection device

When main/auxiliary winch hoists up to a certain lifting height, a winch over-wound warning lamp on instrument panel lights up, at the same time, load moment limiter stops crane hoisting up movements.

Winch over-release protection device

A rope-end limiter is set on main and auxiliary hoist winch to prevent wire rope from over-release. When only three turns of main and auxiliary winch rope is remained on the winch drum, a winch over-release warning lamp on instrument panel lights up, at the same time, load moment limiter stops crane hoisting down movements.

Ratchet locking device

It is used to lock the luffing winch drum to protect boom stowing safety at non-working state. It must be turned on when lowering boom, otherwise boom cannot be lowered.

Mechanical safety device

Slewing locking device is used for the mechanical limit stop when stopping the crane; it consists of boom/ jib strut backstop device to prevent the boom and strut tipping backward.

Boom angle limit

When boom is raised to the specified angle, the boom raising is stopped by both control of load moment limiter and hoist limit switch. When boom luffing angle is less than the specified angle, boom lowering is stopped by control of load moment limiter and which also gives a sound warning.

Hook latch

All hook blocks are equipped with hook latch to prevent the hanging rope on the hook head from falling.

Hydraulic system

Hydraulic system is equipped with hydraulic balance valve, hydraulic relief valve and other devices to ensure the stable and safe work for the system.



详细介绍

Description on components and system



安全装置

力矩限制器系统

检测功能：力矩限制器能自动检测出起重臂的角度、起重载荷。

显示功能：彩色大屏7.0寸液晶显示器。用中文(或英文)和图形方式显示力矩百分比、实际起重量、额定起重量、工作半径、吊臂长度、角度、最大起升高度、工况代码、倍率、限制角度、信息代码等起重作业参数。

警示功能：具有完整的预先报警、超载停止作业功能。如果检测到实际载荷超过额定载荷，起重臂超过极限角度，力矩限制器发出报警并限制当前动作。

系统具有故障自诊断功能。

三色力矩报警灯

三色力矩报警灯由三种颜色组成，力矩百分比在90%以下时“绿灯”亮，表示起重机在安全区域运行；力矩百分比在90%~100%时“黄灯”亮，表示起重机在已接近额定载荷范围。力矩百分比高于100%时，“红灯”亮，表示起重机已经超载，在危险区域，控制系统自动切断起重机向危险的方向运行。

声光报警器

在履带起重机移动或做回转动作时，声光报警器灯可闪烁和发出声音进行报警。

照明灯

照明灯装在转台前方、操纵室上方和操纵室内，用于夜间工作提供照明起重机向危险的方向运行。

后视镜

位于司机室外侧，便于司机观察机器后方情况。

示高灯

示高灯安装在臂架顶部，作为高空警示。

风速仪

实时检测当前风速，并传送到操纵室的监视器上，提醒操作者注意风载荷安全。



Safety Protection Devices

Hirschmann Load moment limiter

Detection function: automatic detection of boom angle and lifting load.

Display function: 7.0" large color screen display to indicate in Chinese (English) and graphics the crane working parameters such as the percentage of load moment, actual lifting capacity, rated lifting capacity, working radius, boom length, boom angle, max. lifting height, mode code, parts of line, limit angle and information code.

Warning function: perfect pre-warning and overload cut-out functions, automatically send out warning signal and stop crane operation when detecting actual lifting load exceeding total rated lifting load and boom out of limit angle.

The system also has the fault self-diagnosis function.

Tricolor warning lamp

The lamp comprises 3 colors, when the percentage of load moment is below 90%, "Green Lamp" lights on to indicate that the crane is running in safety; when the percentage of load moment is in 90%~100%, "Yellow Lamp" lights on to indicate that the crane is close to total rated lifting load; when the percentage of load moment is above 100%, "Red Lamp" lights on to indicate that the crane is in overload and in dangerous area, at this time the control system can automatically cut off crane movement to dangerous direction.

Audio/video alarm

When crawler crane is moving and slewing, the audio/video warning lamps flash and give sound for warning

Illumination lamp

The illuminator lamp is in front of turntable, on the top of and inside operator's cab for lighting in night operation.

Rearview mirror

It is located outside the operator's cab for the driver easy to observe the situation behind the machine.

Height mark lamp

It is located on boom tip for high level operation warning

Anemometer

It can detect the current wind speed and send signal to the monitor in operator's cab to remind the operator for safe operation in wind load.



工况示意图

Working mode Illustration



主臂工况
Boom working mode



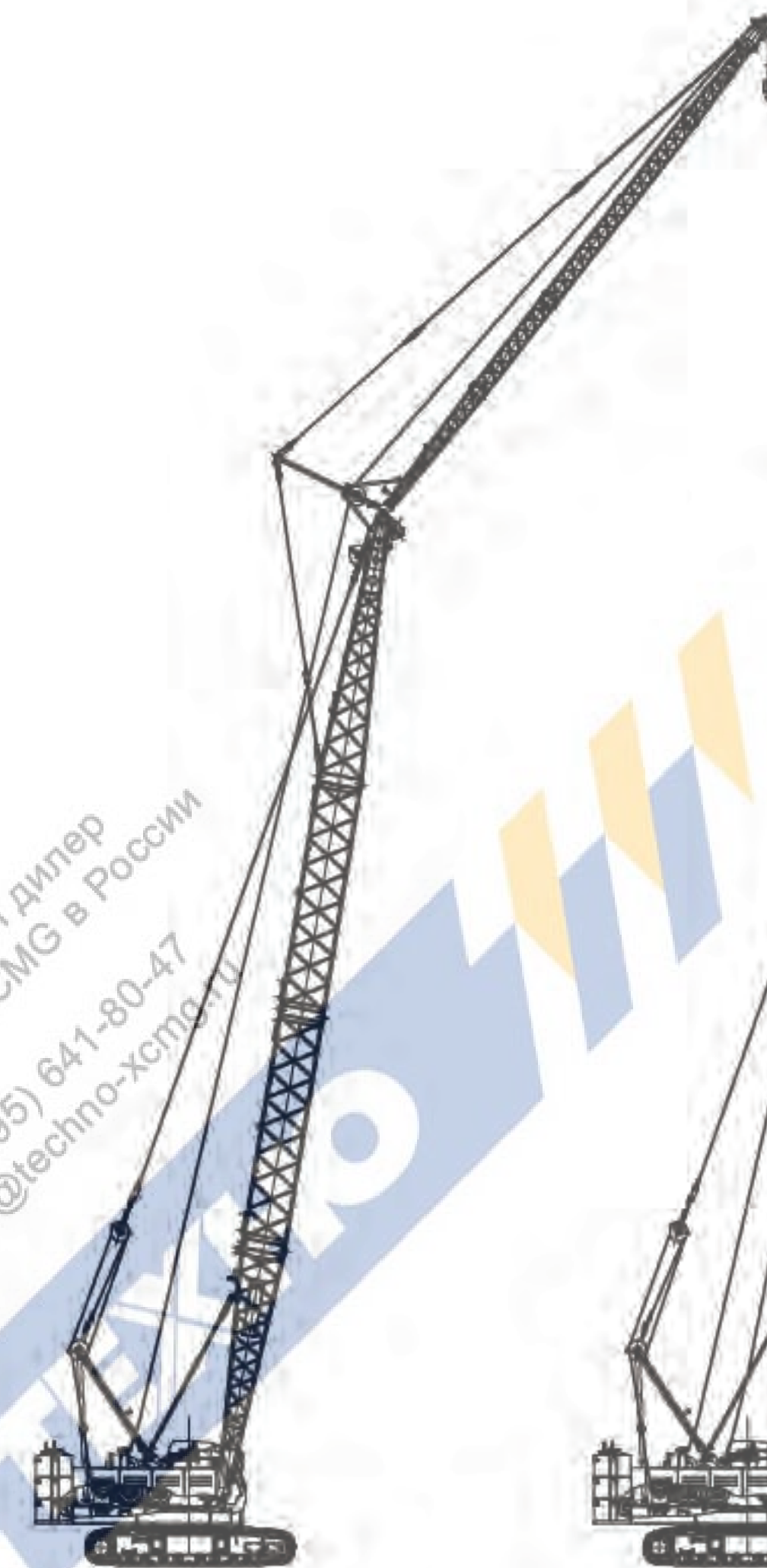
臂端单滑轮工况
(主臂不带吊钩)
Boom single pulley mode
(without hook block)



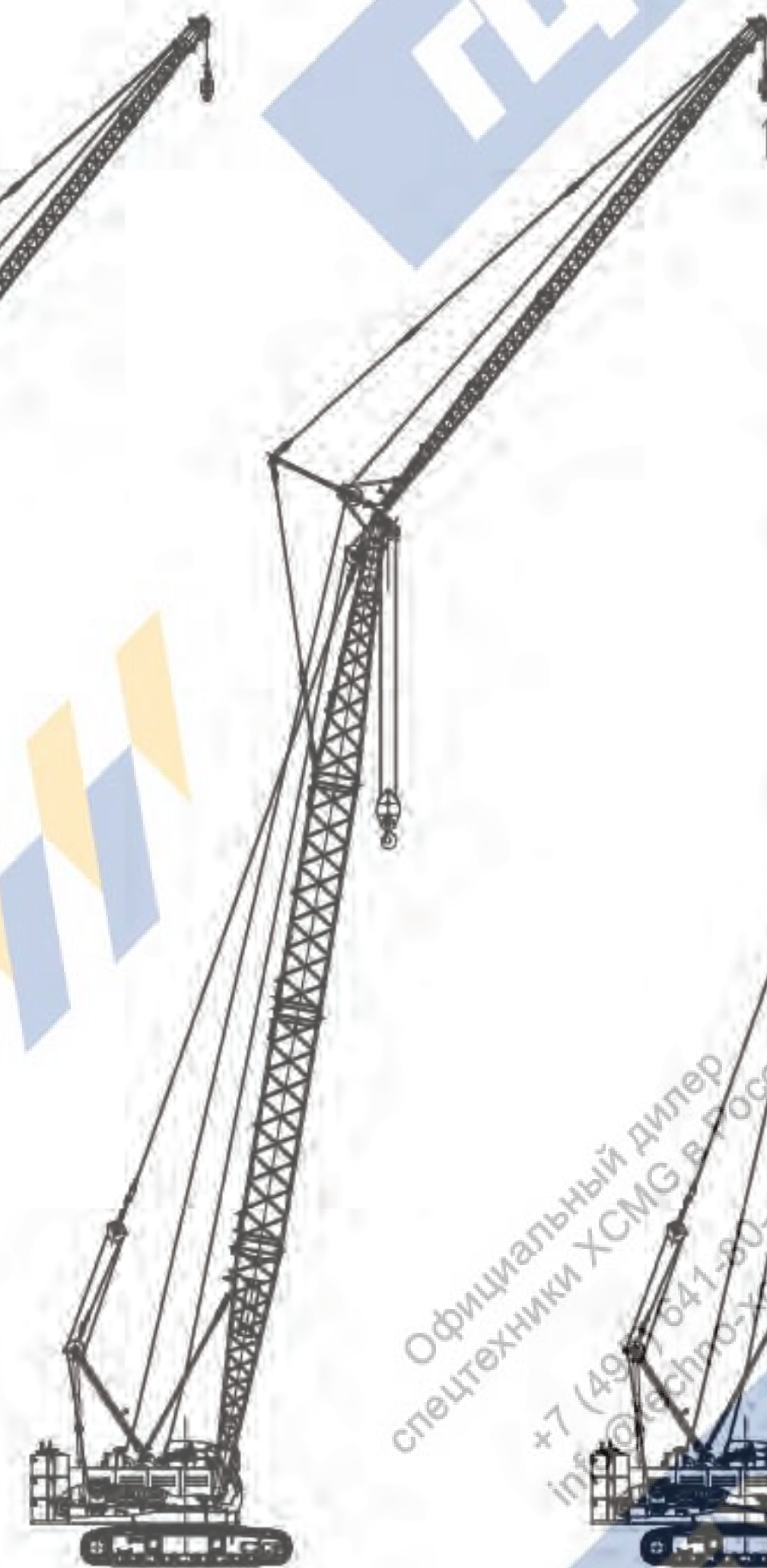
主臂工况 (带臂端单滑轮及吊钩) (选配)
Boom working mode (with boom single pulley and hook block)(Optional)



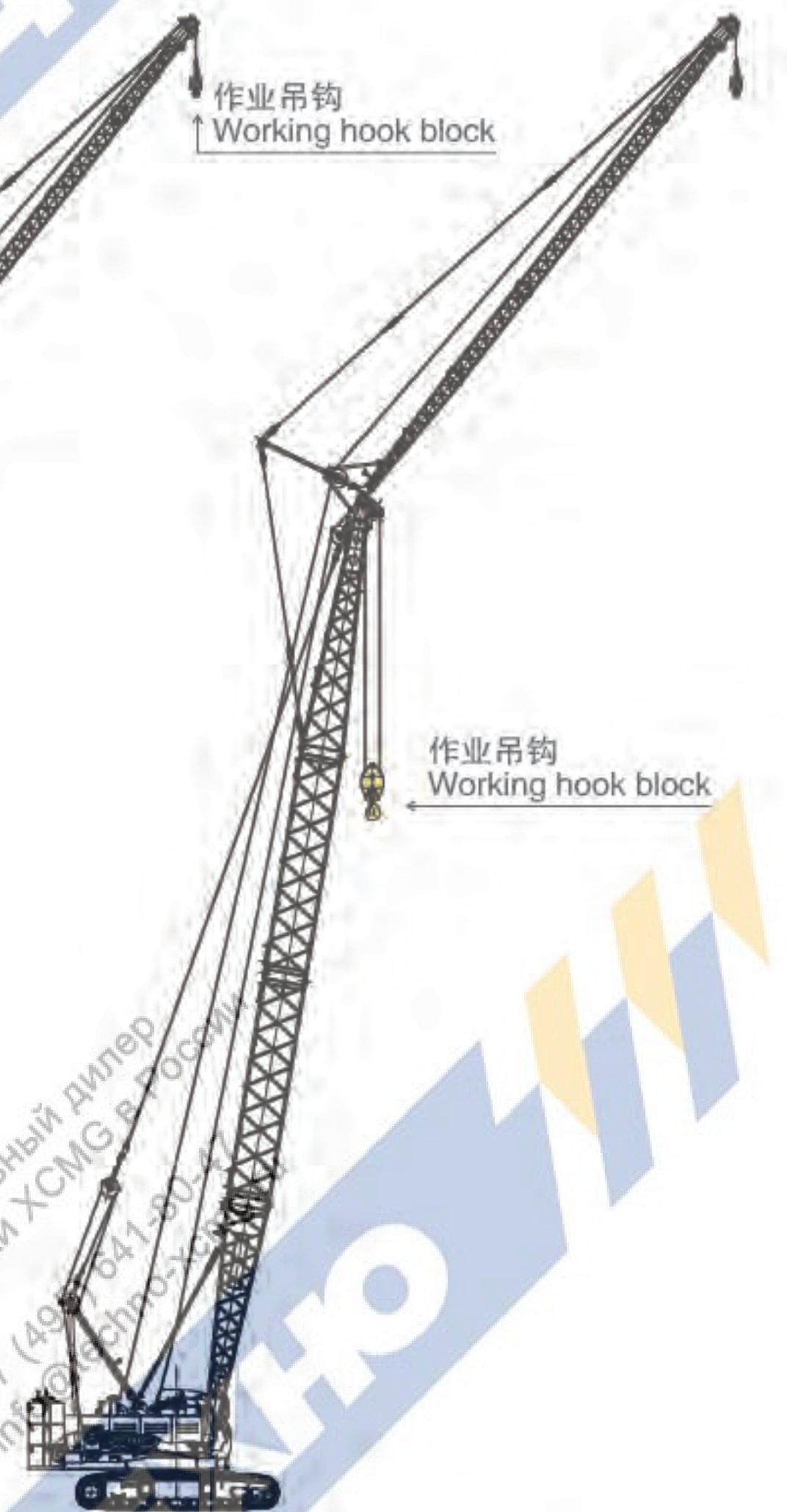
臂端单滑轮工况
(主臂带吊钩) (选配)
Boom single pulley mode
(with hook block)(Optional)



固定副臂工况
(主臂不带吊钩)
Fixed jib mode
(without hook block)



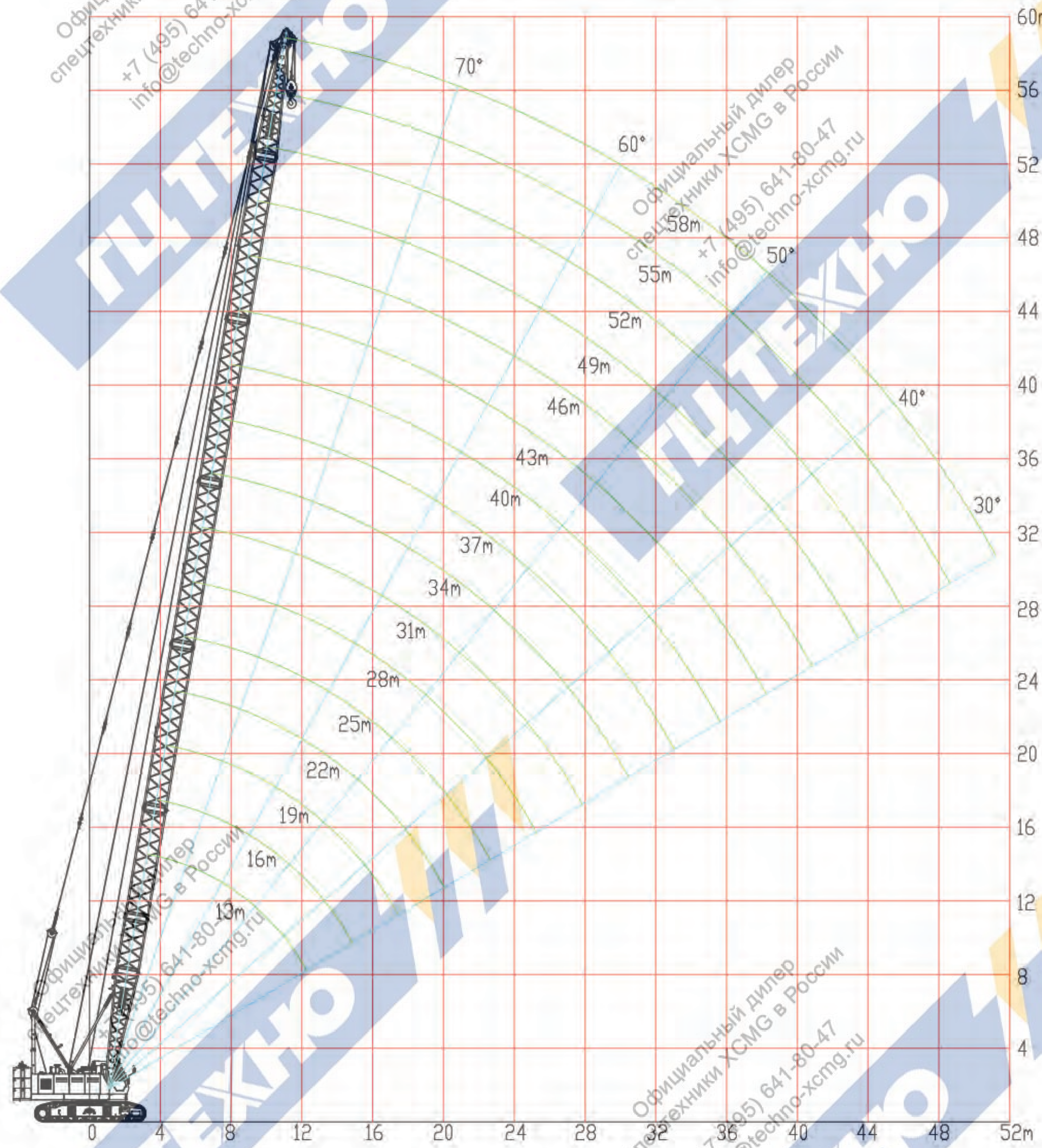
固定副臂工况
(主臂带吊钩) (选配)
Fixed jib mode
(with hook block)(Optional)



主臂工况
(带固定副臂及吊钩) (选配)
Boom working mode
(with fixed jib and hook block)(Optional)



主臂工作范围 Boom working area



主臂起重性能表 (不带臂端单滑轮及吊钩) Boom lifting capacity list (without boom single pulley and hook block)

主臂载荷表 Boom lifting load table

主臂长度(m) Boom length	13	16	19	22	25	28	31	34
幅度 Radius(m)								
3.6	75							
4	71.5	68.0/4.2						
5	56.5	55.5	55	47.5/5.3				
6	43.5	42.7	41.9	41.6	40.9	35.2/6.5		
7	34.5	34.3	34.2	33.7	32.7	32.1	31.7	28.2/7.5
8	28.5	28.4	28.4	28.3	27.9	27.3	26.8	26.3
9	24.2	24.0	23.9	23.8	23.6	23.4	23.2	22.6
10	20.9	20.9	20.8	20.7	20.6	20.5	20.1	19.9
12	16.4	16.3	16.3	16.2	16.1	16	15.9	15.8
14		13.3	13.3	13.2	13.1	13	12.9	12.8
16			11.1	11	10.9	10.8	10.7	10.6
18				9.4	9.3	9.2	9.1	9
20				8.2	8.1	8	7.9	7.8
22					7.1	7	6.9	6.8
24						6.2	6.1	5.9
26							5.4	5.3
28								4.7
30								4.2

主臂载荷表 Boom lifting load table

主臂长度(m) Boom length	37	40	43	46	49	52	55	58
幅度 radius(m)								
8	25.9							
9	22.0	21.7	21.5					
10	19.6	19.3	19.2	18.9	18.4	16.5/10.7	14.2/11	
12	15.6	15.4	15.2	14.8	14.5	13.9	13.5	12.5
14	12.7	12.6	12.4	12.2	12.0	11.7	11.4	11.0
16	10.5	10.4	10.3	10.2	10.0	9.8	9.6	9.4
18	8.9	8.8	8.7	8.5	8.4	8.3	8.1	7.9
20	7.6	7.5	7.4	7.3	7.2	7	6.9	6.8
22	6.6	6.5	6.4	6.3	6.2	6	5.9	5.8
24	5.8	5.7	5.6	5.5	5.3	5.2	5.1	4.9
26	5.1	5	4.9	4.8	4.6	4.5	4.4	4.2
28	4.6	4.4	4.3	4.2	4.1	3.9	3.8	3.7
30	4.1	3.9	3.8	3.7	3.6	3.4	3.3	3.2
32	3.6	3.5	3.4	3.3	3.1	3	2.9	2.7
34		3.1	3	2.9	2.8	2.6	2.5	2.3
36			2.7	2.6	2.4	2.3	2.2	2
38			2.4	2.3	2.1	2	1.9	1.7
40				2	1.9	1.7	1.6	1.4
42					1.6	1.5	1.4	1.2
44						1.3	1.2	1
46						1.1	1	



主臂起重性能表 (带臂端单滑轮及吊钩) Boom lifting capacity list (with boom single pulley and hook block)

带臂端单滑轮的主臂载荷表 Boom lifting load table with single top								
主臂长度(m) Boom length	13	16	19	22	25	28	31	34
幅度 Radius(m)								
3.6	73.8							
4	70.5	66.7/4.2						
5	55.7	54.5	53.8	46.1/5.3				
6	42.8	41.9	40.9	40.3	39.6	33.9/6.5		
7	34	33.6	33.4	32.7	31.6	30.8	30.3	26.6/7.5
8	28.2	28	27.7	27.5	26.9	26.2	25.5	24.9
9	23.9	23.5	23.3	23.1	22.7	22.4	22.1	21.4
10	20.6	20.6	20.5	20.1	19.9	19.6	19.1	18.8
12	16	16	16	15.8	15.6	15.4	15.2	14.9
14		13	13	12.9	12.7	12.5	12.3	12.1
16			10.8	10.7	10.6	10.5	10.3	10.2
18				9.1	9	8.9	8.8	8.6
20				7.9	7.8	7.7	7.6	7.4
22					6.8	6.7	6.6	6.5
24						5.9	5.8	5.6
26							5.1	5
28								4.4
30								3.9

带臂端单滑轮的主臂载荷表 Boom lifting load table with single top								
主臂长度(m) Boom length	37	40	43	46	49	52	55	58
幅度 Radius(m)								
8	24.4							
9	20.6	20.2	19.9					
10	18.4	18	17.7	17.3	16.7	14.6/10.7	12.2/11	
12	14.6	14.3	14	13.5	13.1	12.4	11.8	10.7
14	11.9	11.7	11.4	11.1	10.8	10.4	10	9.5
16	9.9	9.7	9.5	9.3	9	8.7	8.4	8.1
18	8.5	8.3	8.1	8	7.8	7.6	7	6.7
20	7.3	7.1	6.9	6.8	6.6	6.4	6.1	5.8
22	6.3	6.2	6	5.8	5.7	5.6	5.3	5
24	5.5	5.3	5.2	5	4.8	4.7	4.5	4.4
26	4.8	4.7	4.6	4.5	4.3	4.2	4	3.7
28	4.3	4.1	4	3.9	3.8	3.6	3.5	3.2
30	3.8	3.6	3.5	3.4	3.3	3.1	2.9	2.8
32	3.3	3.2	3.1	3	2.8	2.7	2.6	2.3
34		2.8	2.7	2.6	2.5	2.3	2.2	2
36			2.4	2.3	2.1	2	1.9	1.7
38			2.1	2	1.8	1.7	1.6	1.4
40				1.7	1.6	1.4	1.3	1.1
42					1.3	1.2	1.1	
44						1		



臂端单滑轮起重性能表 (主臂不带吊钩) Boom single pulley lifting capacity list (boom without hook block)

主 臂 Boom																
工作幅度(m) Working radius	13	16	19	22	25	28	31	34	37	40	43	46	49	52	55	58
5	6.5															
6	6.5	6.5														
7	6.5	6.5	6.5	6.5												
8	6.5	6.5	6.5	6.5	6.5	6.5										
9	6.5	6.5	6.5	6.5	6.5	6.5	6.5									
10	6.5	6.5	6.5	6.5	6.5	6.5	6.5	6.5	6.5	6.5	6.5					
12	6.5	6.5	6.5	6.5	6.5	6.5	6.5	6.5	6.5	6.5	6.5	6.5				
14		6.5	6.5	6.5	6.5	6.5	6.5	6.5	6.5	6.5	6.5	6.5	6.5	6.5	6.5	
16			6.5	6.5	6.5	6.5	6.5	6.5	6.5	6.5	6.5	6.5	6.5	6.5	6.5	6.5
18				6.5	6.5	6.5	6.5	6.5	6.5	6.5	6.5	6.5	6.5	6.5	6.5	6.5
20					6.5	6.5	6.5	6.5	6.5	6.5	6.5	6.5	6.5	6.5	6.5	6.5
22						6.5	6.5	6.5	6.5	6.5	6.5	6.5	6.5	6.4	6.5	6.1
24							6.5	6.5	6.1	6	5.9	5.8	5.7	5.5	5.4	5.3
26								5.5	5.4	5.3	5.2	5.1	5	4.9	4.7	4.6
28									4.9	4.8	4.6	4.5	4.4	4.3	4.2	4
30										4.4	4.3	4.1	4	3.9	3.8	3.7
32											3.8	3.7	3.6	3.5	3.4	3.2
34												3.3	3.2	3.1	3	2.9
36													2.9	2.8	2.7	2.5
38														2.6	2.5	2.4
40															2.2	2.1
42																1.9
44																1.7
46																1.6
48																1.5
																1.4
																1.3
																1.2
																1.1
																1



臂端单滑轮起重性能表 (主臂带吊钩) Boom single top lifting capacity list (boom with hook block)

工作幅度(m) Working radius	主 臂 Boom																		
	13	16	19	22	25	28	31	34	37	40	43	46	49	52	55	58			
5	6.5																		
6	6.5	6.5																	
7	6.5	6.5	6.5	6.5															
8	6.5	6.5	6.5	6.5	6.5	6.5													
9	6.5	6.5	6.5	6.5	6.5	6.5	6.5												
10	6.5	6.5	6.5	6.5	6.5	6.5	6.5	6.5	6.5	6.5	6.5								
12	6.5	6.5	6.5	6.5	6.5	6.5	6.5	6.5	6.5	6.5	6.5	6.5							
14		6.5	6.5	6.5	6.5	6.5	6.5	6.5	6.5	6.5	6.5	6.5	6.5	6.5					
16		6.5	6.5	6.5	6.5	6.5	6.5	6.5	6.5	6.5	6.5	6.5	6.5	6.5	6.5	6.5			
18			6.5	6.5	6.5	6.5	6.5	6.5	6.5	6.5	6.5	6.5	6.5	6.5	6.5	6.5			
20				6.5	6.5	6.5	6.5	6.5	6.5	6.5	6.5	6.5	6.5	6.4	6.5	5.9			
22					6.5	6.5	6.5	6.5	6.1	6	5.9	5.7	5.6	5.5	5.4	5.3	5.1		
24						5.6	5.5	5.4	5.3	5.2	5	4.9	4.8	4.7	4.6	4.5	4.3		
26							4.8	4.7	4.6	4.5	4.4	4.2	4.1	4	3.9	3.8	3.6		
28								4.1	4	3.9	3.8	3.7	3.5	3.4	3.3	3.2	3.1		
30										3.5	3.4	3.3	3.2	3.1	2.9	2.8	2.7	2.6	
32											3.1	3	2.8	2.7	2.6	2.5	2.4	2.3	2.1
34												2.6	2.5	2.4	2.2	2.1	2	1.9	1.7
36													2.1	2	1.9	1.8	1.7	1.5	1.4
38														1.7	1.6	1.5	1.4	1.2	1.1
40															1.3	1.2	1.1	1	
42																1.1	1		



主臂起重性能表 (带固定副臂及吊钩) Boom lifting capacity list (with fixed jib and hook block)

幅度 Radius (m)	主臂 Boom 28m									
	固定副臂臂长 Fixed jib length (m)									
	7		10		13		16		19	
副臂安装角度 (°) Jib installation angle										
10 30 10 30 10 30 10 30 10 30										
6	33.9/6.5	33.7/6.5	33.6/6.5	33.3/6.5	33.4/6.5	32.8/6.5	33.6/5	32.3/6.5	32.7/6.5	31.8/6.5
7	30.8	30.6	30.6	30.2	30.3	29.8	30	29.4	29.6	28.9
8	26	25.9	25.8	25.5	25.5	25.1	25.2	24.7	24.9	24.2
9	22.1	22	21.9	21.6	21.6	21.3	21.3	20.9	21	20.4
10	19.2	19.1	19	18.8	18.7	18.4	18.4	18	18.1	17.6
12	14.8	14.6	14.5	14.3	14.2	14	14	13.7	13.7	13.3
14	11.8	11.7	11.5	11.4	11.3	11.1	11	10.7	10.7	10.4
16	9.8	9.5	9.3	9.2	9.1	8.9	8.8	8.6	8.5	8.3
18	8.2	7.9	7.7	7.6	7.5	7.4	7.2	7.1	7	6.7
20	6.9	6.7	6.5	6.5	6.3	6.2	6	5.9	5.8	5.6
22	5.9	5.7	5.6	5.5	5.3	5.3	5.1	5	4.8	4.7
24	5	5	4.8	4.7	4.5	4.5	4.3	4.2	4	3.9

幅度 Radius (m)	主臂 Boom 34m									
	固定副臂臂长 Fixed jib length (m)									
	7		10		13		16		19	
副臂安装角度 Fixed jib offset angle (°)										
10 30 10 30 10 30 10 30 10 30										
7	26.9/7.5	26.7/7.5	26.6/7.5	26.3/7.5	26.4/7.5	25.9/7.5	26.1/7.5	25.5/7.5	25.8/7.5	25/7.5
8	25	24.8	24.8	24.5	24.5	24.1	24.2	23.7	23.9	23.2
9	21.3	21.2	21.1	20.8	20.8	20.5	20.5	20.1	20.2	19.7
10	18.6	18.5	18.4	18.2	18.1	17.8	17.9	17.5	17.6	17.1
12	14.5	14.4	14.3	14.1	14.1	13.8	13.8	13.5	13.5	13.1
14	11.5	11.5	11.3	11.2	11.1	10.9	10.8	10.6	10.5	10.2
16	9.4	9.3	9.1	9	8.9	8.7	8.6	8.4	8.4	8.1
18	7.8	7.7	7.5	7.4	7.3	7.2	7.1	6.9	6.8	6.6
20	6.6	6.5	6.4	6.3	6.1	6	5.9	5.7	5.6	5.4
22	5.6	5.5	5.4	5.3	5.1	5	4.9	4.8	4.6	4.5
24	4.7	4.6	4.5	4.4	4.3	4.2	4	3.9	3.8	3.6
26	4.1	4.1	3.9	3.8	3.7	3.6	3.4	3.3	3.2	3.1
28	3.5	3.5	3.3	3.3	3.1	3	2.9	2.8	2.6	2.5
30	3	3	2.8	2.8	2.6	2.6	2.4	2.3	2.1	2.1



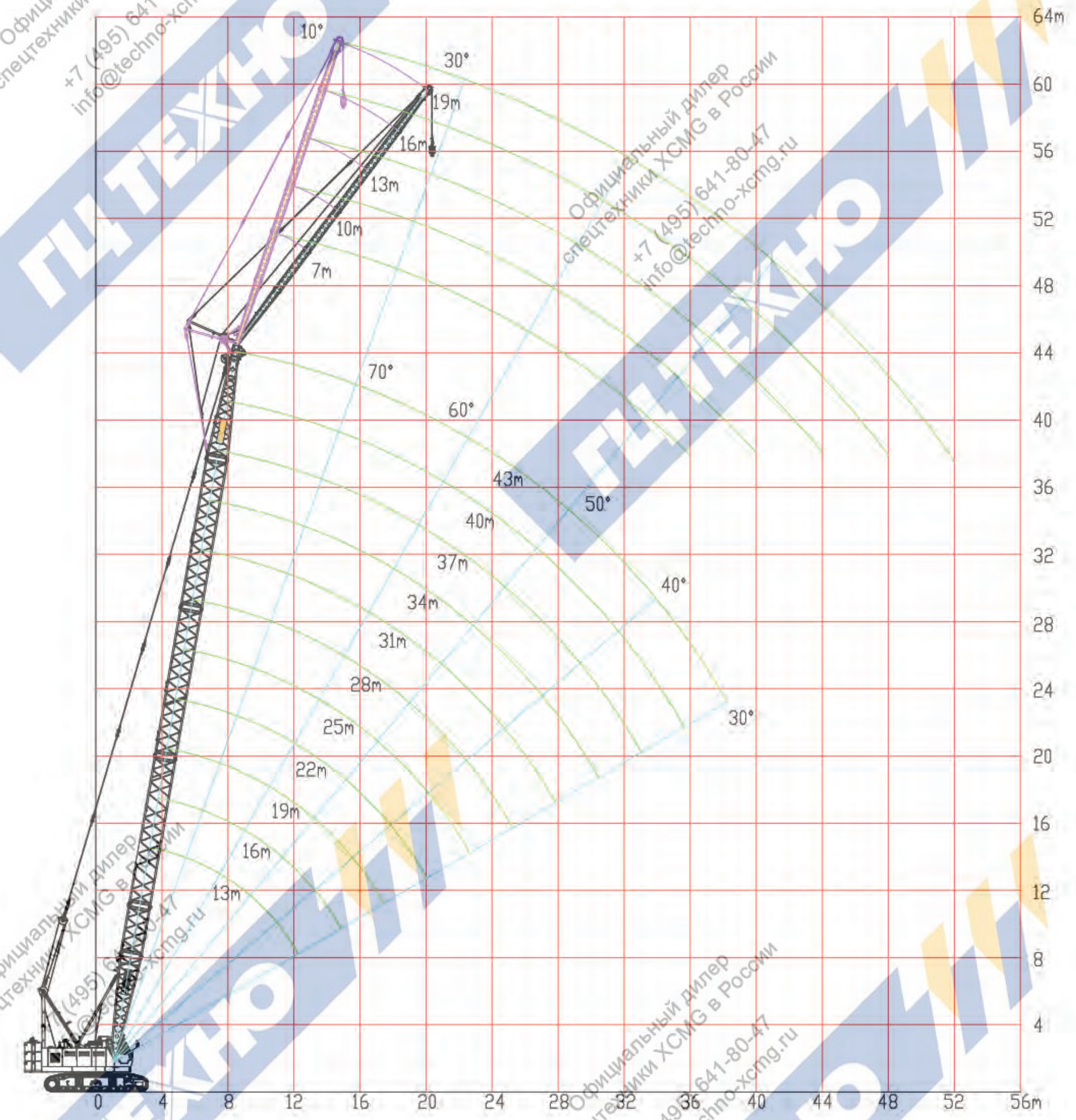
主臂起重性能表 (带固定副臂及吊钩) Boom lifting capacity list (with fixed jib and hook block)

幅度 Radius (m)	主臂 Boom 40m									
	固定副臂臂长 Fixed jib length (m)									
	7		10		13		16		19	
副臂安装角度 Fixed jib offset angle (°)										
	10	30	10	30	10	30	10	30	10	30
9	20.4	20.3	20.2	19.9	19.9	19.6	19.7	19.2	19.4	18.8
10	18	17.9	17.8	17.6	17.5	17.2	17.3	16.9	17	16.5
12	14.1	14	13.9	13.7	13.7	13.4	13.4	13.1	13.1	12.7
14	11.3	11.2	11.1	11	10.9	10.7	10.6	10.4	10.4	10
16	9.2	9.1	8.9	8.8	8.7	8.5	8.5	8.2	8.2	7.9
18	7.6	7.5	7.3	7.2	7.1	7	6.9	6.7	6.6	6.4
20	6.3	6.2	6.1	6	5.8	5.7	5.6	5.4	5.4	5.1
22	5.3	5.2	5.1	5	4.9	4.7	4.6	4.5	4.4	4.2
24	4.5	4.4	4.3	4.2	4.1	4	3.8	3.7	3.6	3.4
26	3.8	3.7	3.6	3.5	3.4	3.3	3.1	3	2.9	2.8
28	3.2	3.2	3	2.9	2.8	2.7	2.6	2.5	2.3	2.2
30	2.7	2.7	2.5	2.5	2.3	2.2	2.1	2	1.8	1.7
32	2.3	2.3	2.1	2.1	1.9	1.9	1.7	1.6	1.5	1.4
34	1.9	1.9	1.7	1.7	1.5	1.5	1.3	1.3	1.1	1

幅度 Radius (m)	主臂 Boom 43m									
	固定副臂臂长 Fixed jib length (m)									
	7		10		13		16		19	
副臂安装角度 Fixed jib offset angle (°)										
	10	30	10	30	10	30	10	30	10	30
9	20.2	20.1	20	19.7	19.7	19.4	19.5	19	19.2	18.6
10	17.9	17.8	17.7	17.5	17.5	17.1	17.2	16.8	16.9	16.4
12	13.9	13.8	13.7	13.5	13.5	13.2	13.2	12.9	13	12.5
14	11.1	11	10.9	10.8	10.7	10.5	10.5	10.2	10.2	9.8
16	9.1	9	8.8	8.7	8.6	8.4	8.4	8.1	8.1	7.8
18	7.5	7.4	7.2	7.1	7	6.9	6.8	6.6	6.5	6.3
20	6.2	6.1	6	5.9	5.7	5.6	5.5	5.3	5.3	5
22	5.2	5.1	5	4.9	4.8	4.6	4.5	4.4	4.3	4.1
24	4.4	4.3	4.2	4.1	4	3.9	3.7	3.6	3.5	3.3
26	3.7	3.6	3.5	3.4	3.3	3.2	3.1	2.9	2.8	2.7
28	3.1	3	2.9	2.8	2.7	2.6	2.5	2.4	2.2	2.1
30	2.6	2.6	2.4	2.3	2.2	2.1	2	1.9	1.8	1.6
32	2.2	2.2	2	2	1.8	1.7	1.6	1.5	1.4	1.3
34	1.8	1.8	1.6	1.6	1.4	1.4	1.2	1.1	1	0.9
36	1.5	1.5	1.3	1.3	1.1	1.1				
38	1.2	1.2	1	1						



固定副臂作业范围图 Fixed jib working area





固定副臂起重性能表

Fixed jib lifting capacity list

幅度 Radius (m)	主臂 Boom 28m									
	固定副臂臂长 Fixed jib length (m)									
	7		10		13		16		19	
副臂安装角度 Fixed jib offset angle (°)										
	10	30	10	30	10	30	10	30	10	30
9	12									
10	12		9.6							
12	12	9.9	9.1			7.2		5.6		4.2
14	12	9.6	8.6	6.5	6.8			5.3		3.9
16	10.7	9.4	8.2	6.3	6.5	4.8		5	3.7	3.7
18	9.1	9.2	7.8	6.1	6.1	4.6		4.7	3.5	3.4
20	7.8	8	7.5	5.9	5.9	4.4		4.5	3.4	3.2
22	6.8	6.9	6.9	5.8	5.6	4.3		4.3	3.2	3
24	6	6.1	6.1	5.6	5.3	4.2		4	3.1	2.8
26	5.3	5.4	5.4	5.5	5.1	4.1		3.8	3	2.7
28	4.8	4.8	4.8	4.9	4.9	4		3.7	2.9	2.5
30	4.3	4.3	4.3	4.4	4.4	3.9		3.5	2.8	2.4
32	3.8	3.8	3.9	3.9	3.9	3.8		3.3	2.7	2.3
34			3.5	3.5	3.6	3.6		3.2	2.6	2.2
36					3.2	3.3		3	2.6	2
38						2.9		2.9	2.5	1.9
40								2.7	2.5	1.8
42									1.7	1.5
44										1.5

幅度 Radius (m)	主臂 Boom 34m									
	固定副臂臂长 Fixed jib length (m)									
	7		10		13		16		19	
副臂安装角度 Fixed jib offset angle (°)										
	10	30	10	30	10	30	10	30	10	30
10	12									
12	12	9.9	9.2			6.5				
14	12	9.7	8.8	6.5	6.5			5.3		4
16	10.4	9.5	8.4	6.3	6.5	4.8		5.1		3.8
18	8.9	9.1	8.1	6.2	6.3	4.7		4.9	3.6	3.6
20	7.6	7.8	7.7	6	6.1	4.5		4.7	3.5	3.4
22	6.6	6.7	6.7	5.9	5.8	4.4		4.4	3.3	3.2
24	5.8	5.9	5.9	5.8	5.6	4.3		4.2	3.2	3
26	5.1	5.2	5.2	5.3	5.2	4.2		4.1	3.1	2.9
28	4.5	4.6	4.6	4.7	4.6	4.1		3.9	3	2.7
30	4	4.1	4.1	4.2	4.1	4		3.7	2.9	2.6
32	3.6	3.6	3.6	3.7	3.7	3.6		3.6	2.8	2.5
34	3.2	3.2	3.2	3.3	3.3	3.4		3.3	2.7	2.4
36	2.8	2.8	2.9	3	3	3.1		3	2.7	2.3
38			2.6	2.6	2.7	2.7		2.7	2.6	2.2
40			2.3	2.3	2.4	2.4		2.4	2.5	2.1
42				2.2	2.2	2.2		2.2	2.3	2
44								2	2	1.9
46									1.8	1.8
48										1.6



固定副臂起重性能表

Fixed jib lifting capacity list

幅度 Radius (m)	主臂 Boom 40m									
	固定副臂臂长 Fixed jib length (m)									
	7		10		13		16		19	
副臂安装角度 Fixed jib offset angle (°)										
	10	30	10	30	10	30	10	30	10	30
12	6.5		6.5							
14	6.5	6.5	6.5			6.5		5.3		4
16	6.5	6.5	6.5	6.3	6.5			5.1		3.9
18	6.5	6.5	6.5	6.2	6.4	4.7		5		3.7
20	6.5	6.5	6.5	6.1	6.2	4.6		4.8	3.5	3.5
22	6.4	6.5	6.4	5.9	6	4.5		4.6	3.4	3.3
24	5.5	5.7	5.6	5.8	5.7	4.4		4.4	3.3	3.2
26	4.8	5	4.9	5.1	5	4.3		4.2	3.2	3
28	4.3	4.4	4.3	4.5	4.4	4.2		4.1	3.1	2.9
30	3.8	3.8	3.8	4	3.9	4.1		3.9	3	2.7
32	3.3	3.4	3.4	3.5	3.5	3.6		3.5	2.9	2.6
34	2.9	3	3	3.1	3.1	3.2		3.1	2.8	2.5
36	2.6	2.6	2.7	2.8	2.7	2.9		2.8	2.8	2.4
38	2.3	2.3	2.4	2.4	2.4	2.5		2.5	2.6	2.3
40	2	2	2.1	2.1	2.2	2.3		2.2	2.3	2.2
42	1.8	1.8	1.9	1.9	1.9	2		1.9	2.1	2
44			1.6	1.6	1.7	1.7		1.7	1.8	1.7
46				1.4	1.5	1.5		1.5	1.6	1.5
48					1.3	1.3		1.3	1.4	1.4
50						1.1		1.2	1.2	1.3
52								1	1	1.1
54										1.1

幅度 Radius (m)	主臂 Boom 43m									
	固定副臂臂长 Fixed jib length (m)									
	7		10		13		16		19	
副臂安装角度 Fixed jib offset angle (°)										
	10	30	10	30	10	30	10	30	10	30
12	6.5		6.5							
14	6.5	6.5	6.5			6.5		5.3		
16	6.5	6.5	6.5	6.4	6.5			5.1		3.9
18	6.5	6.5	6.5	6.2	6.4	4.7		4.9		3.7
20	6.5	6.5	6.5	6.1	6.2	4.6		4.8	3.5	3.5
22	6.2	6.3	6.3	6	6	4.5		4.6	3.4	3.4
24	5.4	5.6	5.5	5.8	5.6	4.4		4.5	3.3	3.2
26	4.7	4.8	4.8	5	4.9	4.3		4.3	3.2	3.1
28	4.1	4.2	4.2	4.4	4.3	4.2		4.1	3.1	2.9
30	3.6	3.7	3.7	3.9	3.8	4		3.8	3	2.8
32	3.2	3.3	3.3	3.4	3.3	3.5		3.4	3	2.7
34	2.8	2.9	2.9	3	2.9	3.1		3.1	2.9	2.6
36	2.5	2.5	2.5	2.6	2.6	2.8		2.8	2.8	2.5
38	2.2	2.2	2.2	2.3	2.3	2.4		2.4	2.5	2.4
40	1.9	1.9	2	2	2	2.1		2.1	2.2	2.1
42	1.7	1.7	1.7	1.8	1.8	1.9		1.8	2	1.8
44	1.4	1.4	1.5	1.5	1.6	1.6		1.6	1.7	1.6
46			1.3	1.3	1.4	1.4		1.4	1.5	1.4
48				1.1	1.1	1.2		1.2	1.3	1.2
50						1		1	1.1	1
52										1
54										1



固定副臂起重性能表(带主臂吊钩) Fixed jib lifting capacity list (with boom hook block)

幅度 Radius (m)	主臂 Boom 28m									
	固定副臂臂长 Fixed jib length (m)									
	副臂安装角度 Fixed jib offset angle (°)									
	7		10		13		16		19	
	10	30	10	30	10	30	10	30	10	30
9	11.3									
10	11.3		8.9							
12	11.2	9.3	8.4		6.6		5.7		3.7	
14	11.2	9	7.9	6	6.2		4.9		3.4	
16	9.9	8.7	7.5	5.7	5.9	4.3	4.4	3.3	3.2	
18	8.3	8.5	7.1	5.5	5.5	4.1	4.1	3.1	2.9	2.2
20	7	7.3	6.8	5.3	5.3	3.9	3.9	3	2.7	2
22	6	6.2	6.2	5.2	4.9	3.8	3.7	2.7	2.5	1.9
24	5.2	5.4	5.4	5	4.6	3.6	3.4	2.6	2.2	1.8
26	4.5	4.6	4.7	4.8	4.4	3.5	3.2	2.5	2.1	1.6
28	4	4	4.1	4.2	4.2	3.4	3.1	2.4	1.9	1.4
30	3.5	3.5	3.6	3.7	3.7	3.3	2.9	2.3	1.8	1.3
32	3	3	3.2	3.2	3.2	3.2	2.7	2.1	1.7	1.3
34			2.8	2.8	2.9	3	2.6	2	1.6	1.2
36					2.5	2.6	2.4	2	1.4	1.1
38						2.2	2.3	1.9	1.3	1.1
40							2.1	1.9	1.2	1
42									1.1	

幅度 Radius (m)	主臂 Boom 34m									
	固定副臂臂长 Fixed jib length (m)									
	副臂安装角度 Fixed jib offset angle (°)									
	7		10		13		16		19	
	10	30	10	30	10	30	10	30	10	30
10	11.2									
12	11.2	9.3	8.5		5.9					
14	11.2	9	8.1	6	5.8		4.7		3.5	
16	9.6	8.8	7.7	5.7	5.8	4.3	4.5		3.2	
18	8.1	8.4	7.4	5.6	5.6	4.2	4.3	3.2	3	
20	6.8	7.1	7	5.4	5.4	4	4.1	3	2.8	2
22	5.8	5.9	5.9	5.2	5.1	3.8	3.8	2.8	2.6	1.9
24	5	5.1	5.1	5.1	4.9	3.7	3.6	2.7	2.4	1.8
26	4.3	4.4	4.4	4.6	4.5	3.6	3.4	2.6	2.3	1.7
28	3.7	3.8	3.8	4	3.9	3.5	3.2	2.4	2.1	1.6
30	3.2	3.3	3.3	3.5	3.4	3.4	3	2.3	2	1.5
32	2.8	2.8	2.8	3	3	3	2.9	2.2	1.9	1.4
34	2.4	2.4	2.4	2.6	2.6	2.7	2.6	2.1	1.8	1.3
36	2	2	2.1	2.2	2.3	2.4	2.4	2.1	1.7	1.2
38			1.8	1.8	2	2	2	2	1.6	1.1
40			1.5	1.5	1.7	1.7	1.7	1.9	1.5	1
42					1.5	1.5	1.5	1.7	1.4	1
44							1.3	1.3	1.3	
46								1.1	1.2	
48									1	



固定副臂起重性能表(带主臂吊钩) Fixed jib lifting capacity list (with boom hook block)

幅度 Radius (m)	主臂 Boom 40m									
	固定副臂臂长 Fixed jib length (m)									
	副臂安装角度 Fixed jib offset angle (°)									
	7		10		13		16		19	
	10	30	10	30	10	30	10	30	10	30
12	5.7				5.8					
14	5.7	5.8	5.7		5.8		4.7		3.4	
16	5.7	5.8	5.7	5.7	5.8		4.5		3.3	
18	5.7	5.8	5.7	5.6	5.7	4.2	4.3		3.1	
20	5.7	5.7	5.7	5.4	5.5	4	4.1	3	2.9	2.1
22	5.5	5.7	5.6	5.2	5.3	3.9	3.9	2.9	2.7	2
24	4.6	4.9	4.8	5.1	5	3.8	3.7	2.8	2.6	1.8
26	3.9	4.2	4.1	4.4	4.3	3.7	3.5	2.6	2.4	1.7
28	3.4	3.6	3.5	3.8	3.7	3.5	3.4	2.5	2.3	1.6
30	2.9	3	3	3.3	3.2	3.4	3.2	2.4	2	1.6
32	2.4	2.6	2.6	2.7	2.7	2.9	2.8	2.3	1.9	1.5
34	2	2.2	2.2	2.3	2.3	2.5	2.4	2.2	1.8	1.3
36	1.7	1.8	1.9	2	1.9	2.2	2.1	2.2	1.7	1.2
38	1.4	1.4	1.6	1.6	1.6	1.8	1.8	2	1.6	1.2
40	1.1	1.1	1.3	1.3	1.4	1.6	1.5	1.6	1.5	1.1
42			1.1	1.1	1.1	1.3	1.2	1.4	1.3	1.1
44						1	1	1.1	1	1
46									1	

幅度 Radius (m)	主臂 Boom 43m									
	固定副臂臂长 Fixed jib length (m)									
	副臂安装角度 Fixed jib offset angle (°)									
	7		10		13		16		19	
	10	30	10	30	10	30	10	30	10	30
12	5.7				5.7					
14	5.7	5.8	5.7		5.8		4.7			
16	5.7	5.8	5.7	5.8	5.8		4.4		3.3	
18	5.6	5.7	5.7	5.6	5.7	4.1	4.2		3.1	
20	5.6	5.7	5.7	5.4	5.5	4	4.1	3	2.9	
22	5.3	5.5	5.5	5.3	5.3	3.9	3.9	2.9	2.8	1.9
24	4.5	4.8	4.7	5.1	4.9	3.8	3.8	2.7	2.5	1.8
26	3.8	4	4	4.3	4.1	3.7	3.6	2.6	2.4	1.7
28	3.2	3.4	3.4	3.7	3.5	3.5	3.4	2.5	2.2	1.7
30	2.7	2.9	2.9	3.1	3	3.3	3.3	2.4	2.1	1.6
32	2.3	2.5	2.5	2.6	2.5	2.8	2.7	2.4	2	1.4
34	1.9	2	2.1	2.2	2.1	2.4	2.3	2.3	1.9	1.4
36	1.6	1.6	1.7	1.8	1.8	2.1	1.9	2.2	1.8	1.3
38	1.3	1.3	1.4	1.5	1.5	1.7	1.6	1.8	1.7	1.2
40	1	1	1.2	1.2	1.2	1.4	1.4	1.5	1.4	1.2
42			1	1	1	1.2	1.1	1.3	1.1	1.1
44							1		1	1.1
46										1



工作条件及注意 Working conditions and Cautions

工作条件 Working conditions

1. 本起重机的工作条件为：臂长 ≤ 50m 时风速小于 13.8m/s，臂长 > 50m 时风速小于 8.3m/s，环境温度 -20°C ~ +40 °C，地面倾斜度小于 1%；

The crane working conditions: boom length ≤ 50m when wind speed is less than 13.8m/s; boom length > 50m when wind speed is less than 8.3m/s; the ambient temperature is -20°C ~ +40°C; and the ground gradient is less than 1%.

2. 载荷表中的额定起重量，是指在满足给定的工作条件下，重物自由悬挂，在坚实地面缓慢起吊重物，起重机不行走时的最大起重量。作业者须视各种不良条件（如地面松软或不平、风力、侧面负荷、摆动作用、多台起重机合力起吊等）限制或降低起重机的起重量；

The rated lifting load in the chart are the maximum lifting capacity on the condition that the given working conditions are met and the load is in the state of free suspension and lifted slowly from the solid ground. Operators should limit or reduce lifting capacity according to different conditions (such as soft or uneven ground, wind force, side loading, oscillating action, several crane cooperate-lifting).

3. 载荷表中额定起重量包括主吊钩、钢丝绳和其它所有吊具的重量，各吊钩及臂端单滑轮的重量见下表：

The rated lifting capacity in the chart includes the weight of main hook block, wire rope and all slings. The weight of each hook block and boom single top is shown in the table below:

75t吊钩 75t hook block	32t吊钩 32t hook block	16t吊钩 16t hook block	8t吊钩 8t hook block	臂端单滑轮 Boom single top
0.89吨 ton	0.35吨 ton	0.28吨 ton	0.14吨 ton	0.093吨 ton

4. 载荷表中没有列出额定载荷值的空白区为非工作区，起重机不允许在该区域内进行起重作业；

The blank area of the chart where no rated lifting load listed is regarded as non-operation area, so crawler crane is not allowed to carry out lifting operation in this area.

5. 表中起重量为带全配重的起重量；

The lifting load in the chart includes the lifting capacity of full counterweight.

6. 本机允许带载低档行驶，最大带载量为载荷表中额定载荷的90%；如需转弯行驶，最大带载量为载荷表中额定载荷的70%。

This crawler crane is allowed to travel slowly with a suspended load, the maximum load weight is 90% of rated lifting load given in the load chart, but the maximum load weight is 70% of rated lifting load given in the load chart for the crane turning around.

7. 吊钩及倍率的选取

Selection of hook block and parts of line

在任何情况下，吊钩的选取必须满足吊钩的额定起重量大于或等于实际吊重量（包括钢丝绳及吊具等）

In any case, the selection of hook block must satisfy that the hook block rated lifting load is more than or equal to the actual lifting load (including wire rope, slings and etc).

倍率按下表选取：Parts of line is according to the table below:

倍率 Parts of line	1	2	3	4	5	6	7	8	9	10	11	12
最大起重量 Max. lifting load	6.5	12.7	18.9	25.0	31.0	37.0	42.9	48.6	54.3	60.0	66.0	75.0

单倍率用于臂端单滑轮。The one part of line is used for boom single top.



备忘录 Memo