

集装箱正面吊运起重机 / Container Reach Stacker

XCS4531K



5层

5 Containers

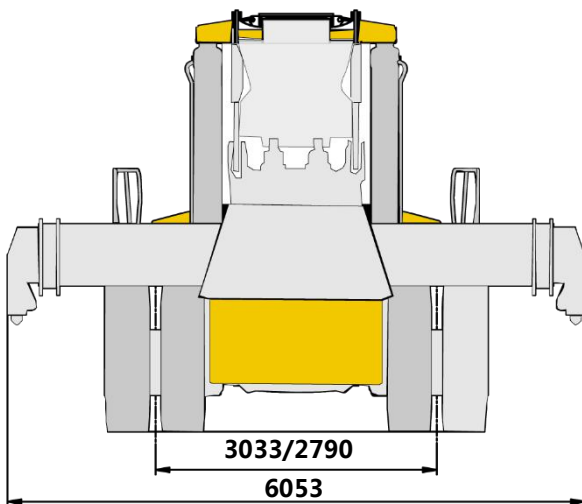
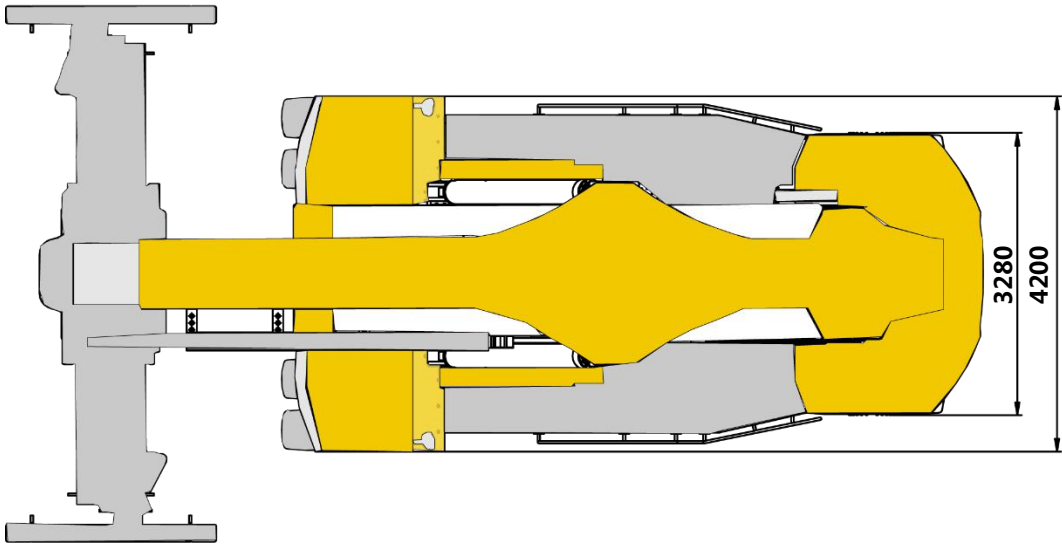
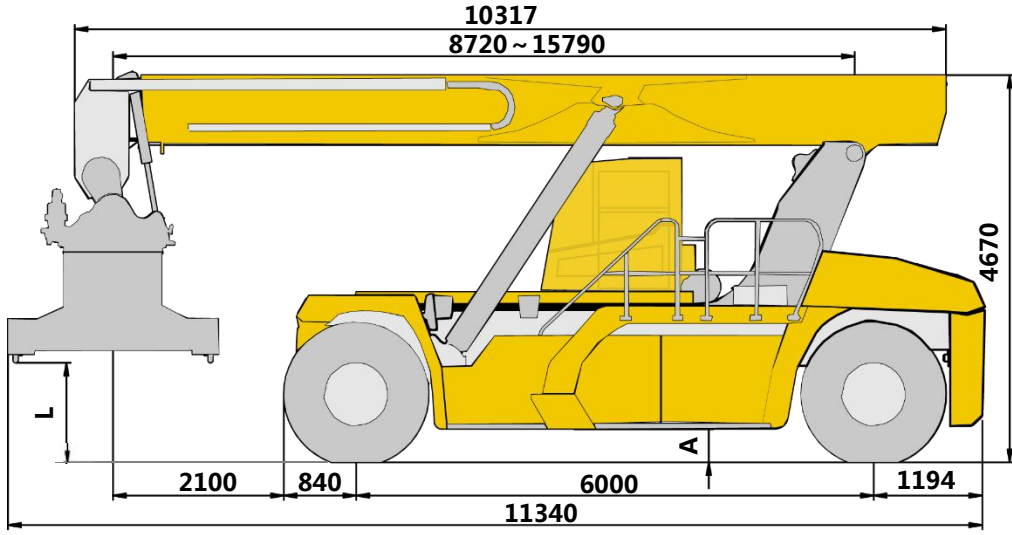


目录

Contents

目录 Contents	页码 Page
尺寸参数 Dimensions	3
技术规格 Technical specifications	4-5
重量/作业速度 Weight / Working speeds	6
起重能力 Lifting capacity	7
运输部件尺寸 Dimensions of transported parts	8-9
通道宽度 Aisle width	10
注意事项 Notes	11

尺寸参数 Dimensions



吊具 Spreader	L	A
徐工 XCMG	1200	350
Bromma	1155	350

标准配置

吊具

徐工吊具，具有伸缩、侧移、旋转和旋锁控制等功能，适用于20'和40'国际标准集装箱作业。

额定起重量：45t。

侧移距离：±800mm。

旋转角度：-105° ~ +195°。

司机室

动力移动的全景司机室，视野开阔。配置人体工程学座椅、两点式伸缩安全带、水杯架、12V和24V电源、收音机、喊话扩音装置和高清倒车影像系统。

空调

大功率、全自动冷暖空调。

发动机

瑞典 Volvo TAD1151VE，直列六缸水冷电控柴油增压发动机。

额定功率：265kW/2100r/min，最大扭矩：1785Nm/1260r/min。

发动机排放：非道路三阶段、U.S.EPA Tier 3、EU Stage IIIA。

变速箱

美国 Dana 15.7TE30510，自动变速箱（手自一体），5个前进档，3个后退档。

驱动桥

德国 Kessler D102PL341重载驱动桥。

轮胎

6个18.00-25 40PR斜交轮胎。

制动

行车制动：湿式盘式制动器，作用于前桥。配置独立散热油箱、高性能滤油器和散热器。

驻车制动：盘式制动器，作用于前桥。

转向

全液压力转向，转向轻便。

液压系统

美国Parker变量柱塞泵、阀件，系统具有复合动作、高低速自动切换（空载高速、重载低速）、吊具垂直升降和吊具防摇摆功能。

配置高性能滤油器和大功率独立散热器。

电气系统

24V CAN总线控制系统，2个蓄电池，负极搭铁。

行车灯：车辆前方3个前照灯、2个转向灯。车辆后方2个转向灯、2个制动灯、2个倒车灯。

工作灯：吊具锁头处4个工作灯、起重臂中部4个工作灯、车辆后方4个工作灯。

警示灯：起重臂后方1个危险报警灯。

安全装置

力矩限制器、后桥防倾翻保护装置、2.5m远距离倒车雷达、1个2kg灭火器和自动灭火系统。

车架

抗扭转大截面框架结构车架，采用高强度钢焊接而成。

起重臂

2节四边形伸缩臂，抗扭曲设计，采用高强度钢板焊接而成。

选装配置

吊具

Bromma RSX40吊具，具有伸缩、侧移、旋转和旋锁控制等功能，适用于20'和40'国际标准集装箱作业。

额定起重量：45t。

侧移距离：±800mm。

旋转角度：-105° ~ +195°。

冷却液加热

加热发动机冷却液，辅助发动机启动，适用于寒冷地区。

产品各部件明细如上所述，具体部件明细请参照产品报价单。

技术规格

Technical specifications

Standard equipment

Spreader XCMG spreader is suitable for handling 20' and 40' standard containers. Telescoping, side shift and rotating function, as well as twist lock control are available.
Rated lifting capacity: 45 t.
Side shift: ±800 mm.
Rotation angle: -105° ~ +195°.

Cab Dynamic moving full-view driver's cab. Equipped with ergonomic seat, two point retractable seat belt, water cup holder, 12V and 24V power supply, radio, loudspeaker amplifiers and HD Reverse view system.

Air condition High-power, fully automatic heating and cooling air condition.

Engine TAD1151VE, in line, six-cylinder, water-cooled, turbocharged, electric control diesel engine, manufactured by Sweden Volvo; Rated power 265 kW/2100rpm, max. torque 1785 Nm / 1260 rpm;
Emission compliance: compliant with off-road U.S. EPA Tier 3/EU Stage IIIA;

Transmission 15.7TE30510, automatic transmission (with manual shift) manufactured by America Dana, with 5 forward and 3 reverse gears available.

Drive axle D102PL341 heavy duty drive axle, manufactured by German Kessler.

Tires 6 diagonal tires, Tire specifications: 18.00-25 40PR.

Brakes Service brake: wet disc brake, acting on the front wheels, and equipped with independent cooling tank, high performance filter and radiator.
Parking disc brake, acting on the front axle.

Steering Equipped with full hydraulic power steering, and easy to use.

Hydraulic system

America Parker variable plunger pump and valves, the system has compound action, high and low speed automatic switching (high speed when unloaded, low speed when loaded.), vertical lifting and spreader anti-swung function.
Equipped with high performance filter and high power independent radiator.

Electric System

24V Can bus control system, two batteries, negative ground.
Driving lights: three headlights, two turning signals in front of the vehicle; two turning signals, two brake lights and two reversing lights behind the vehicle.
Working lights: four working lights at the spreader locks, four working lights at the middle of the boom, four working lights behind the vehicle.
Warning lights: one rotating alarm lamp at the back of the vehicle.

Safety devices

LMT, anti-tilting protection device for rear axle, 2.5m long distance astern radar, one 2kg fire extinguisher, automatic fire extinguishing system.

Frame

Frame is made of high tension steel, with anti-torsion large cross-section.

Boom

Two-stage, quadrangular telescopic boom, anti-torsion design, is made of high tension steel.

Additional equipment

Spreader

Bromma spreader is suitable for handling 20' and 40' standard containers. Telescoping, side shift and rotating function, as well as twist lock control are available.
Rated lifting capacity: 45 t.
Side shift: ±800 mm.
Rotation angle: -105° ~ +195°.

Coolant heating device

It is used to heat engine coolant, facilitating to start engine, applicable in cold areas.

Product parts list is as mentioned above, refer to the product quotation for specific parts.

重量 Weight

项目 Item	前轴 Front Axle	后轴 Rear Axle	总重量 Total weight	允差范围 Tolerance
空载 Unloaded	35850kg	35350kg	71200kg	±3%
满载 Rated load	99860kg	16340kg	116200kg	±3%

轴荷为45t载荷处于第一排时的数值。

The axle loads listed in the table are the values when 45t Load located on the first row.

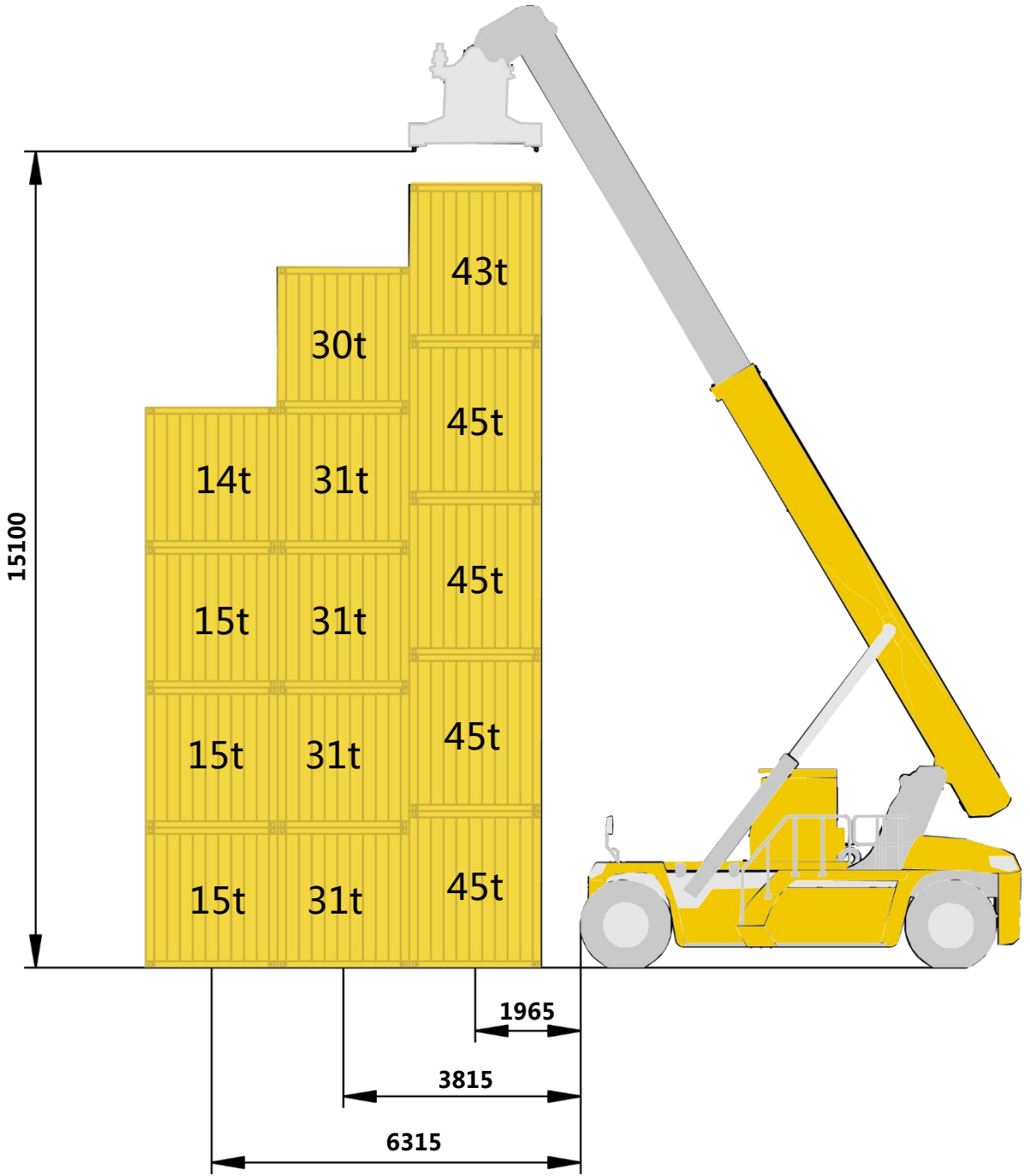
作业速度 Working speeds

项目 Item	空载 Unloaded	满载 Rated load	允差范围 Tolerance
起升速度 Lifting speed	420mm/s	250mm/s	±10%
下落速度 Lowering speed	360mm/s	300mm/s	±10%
行驶速度 Traveling speed	25km/h	21km/h	±10%

吊具参数 Spreader specifications

项目 Item	徐工吊具 XCMG Spreader	Bromma 吊具 Bromma Spreader	允差范围 Tolerance
起重量 Lifting capacity	45000kg	45000kg	≥
侧移距离 Side shift	±800mm	±800mm	±1.5%
伸缩时间 Telescoping time	伸出 extend : 25s 缩回 Retract : 11s	15s	±10%
旋转时间 Rotating time	50S	50s	±10%
侧移时间 Shifting time	15s	15s	±10%
开闭锁时间 Lock\unlock time	1s	1s	±10%

起重能力 Lifting capacities

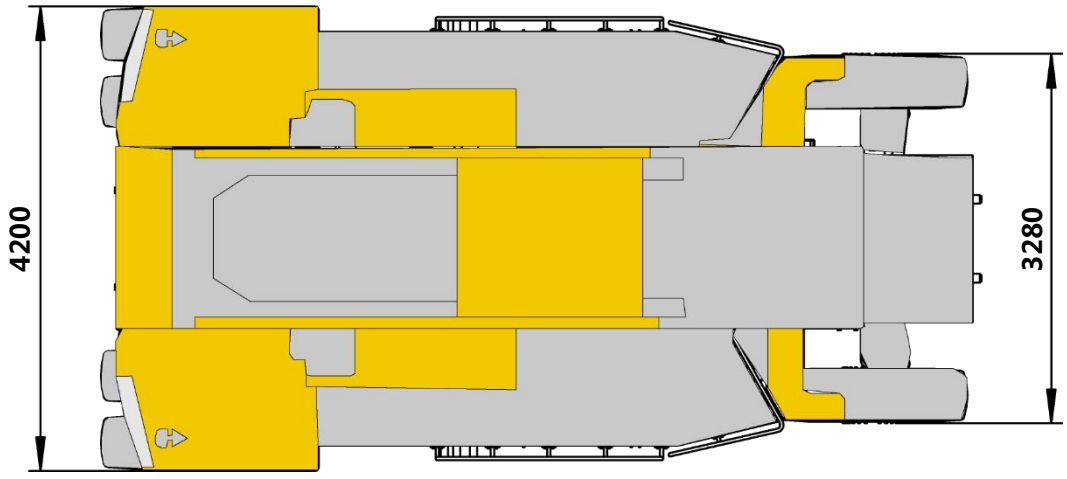
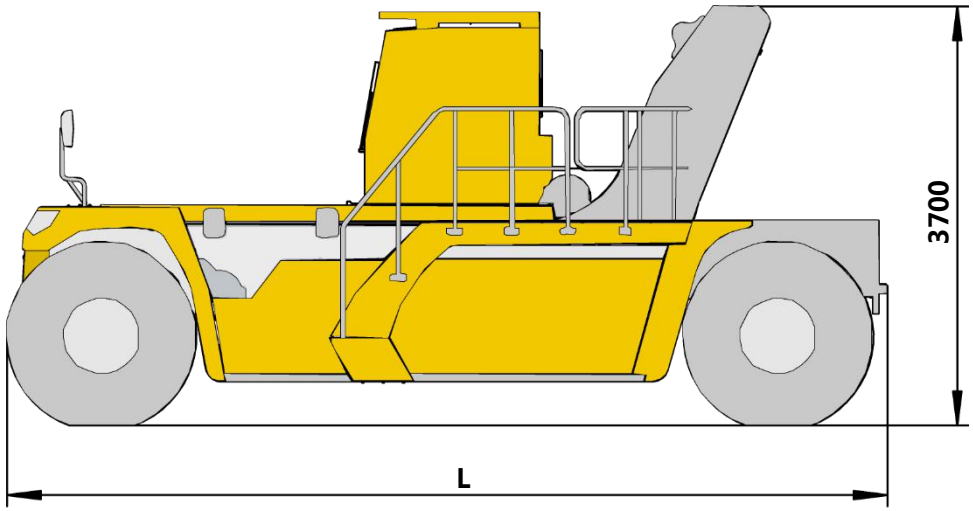


吊具 Spreader	最大起升高度 Max. Lifting Height	最大起重量 Max. Lifting Capacity	堆码层数 Number of Stacking
徐工 XCMG	15375mm	45t	5 (9'6")-5 (8'6") -4 (8'6")
Bromma	15100mm	45t	5 (9'6")-5 (8'6") -4 (8'6")

运输部件尺寸

Dimensions of transported parts

1		
主机 Main machine		
重量 Weight	31200kg	35050kg
数量 Qty	1	
长度 Length L	7596mm	8035mm
备注 Notes	拆去平衡重B Removing the counterweight B	不拆平衡重B Not removing the counterweight B

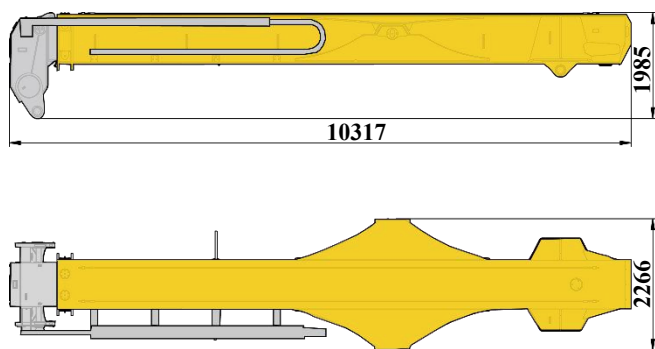


运输部件尺寸

Dimensions of transported parts

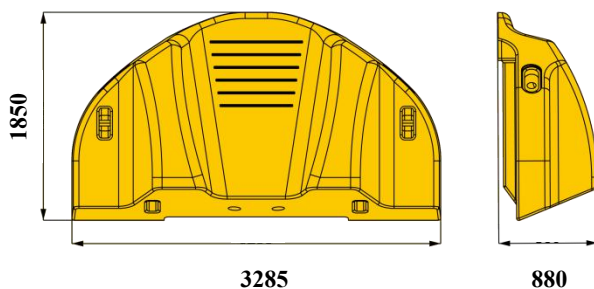
2 起重臂组件 Boom assembly

重量 Weight	13935kg
数量 Qty	1



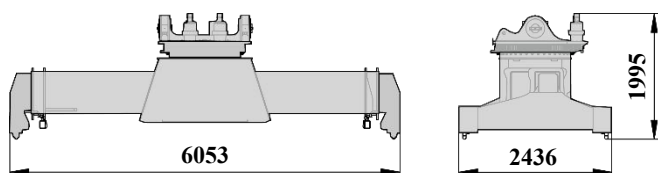
4 平衡重A Counterweight A

重量 Weight	13.742kg
数量 Qty	1



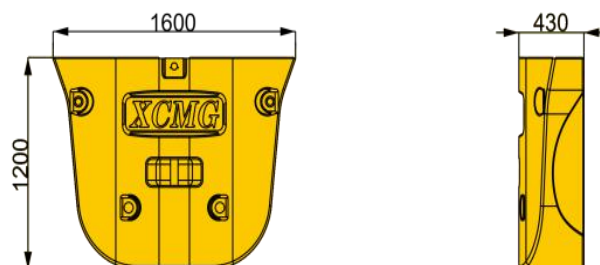
3 吊具 Spreader

重量 Weight	8000kg
数量 Qty	1



5 平衡重B Counterweight B

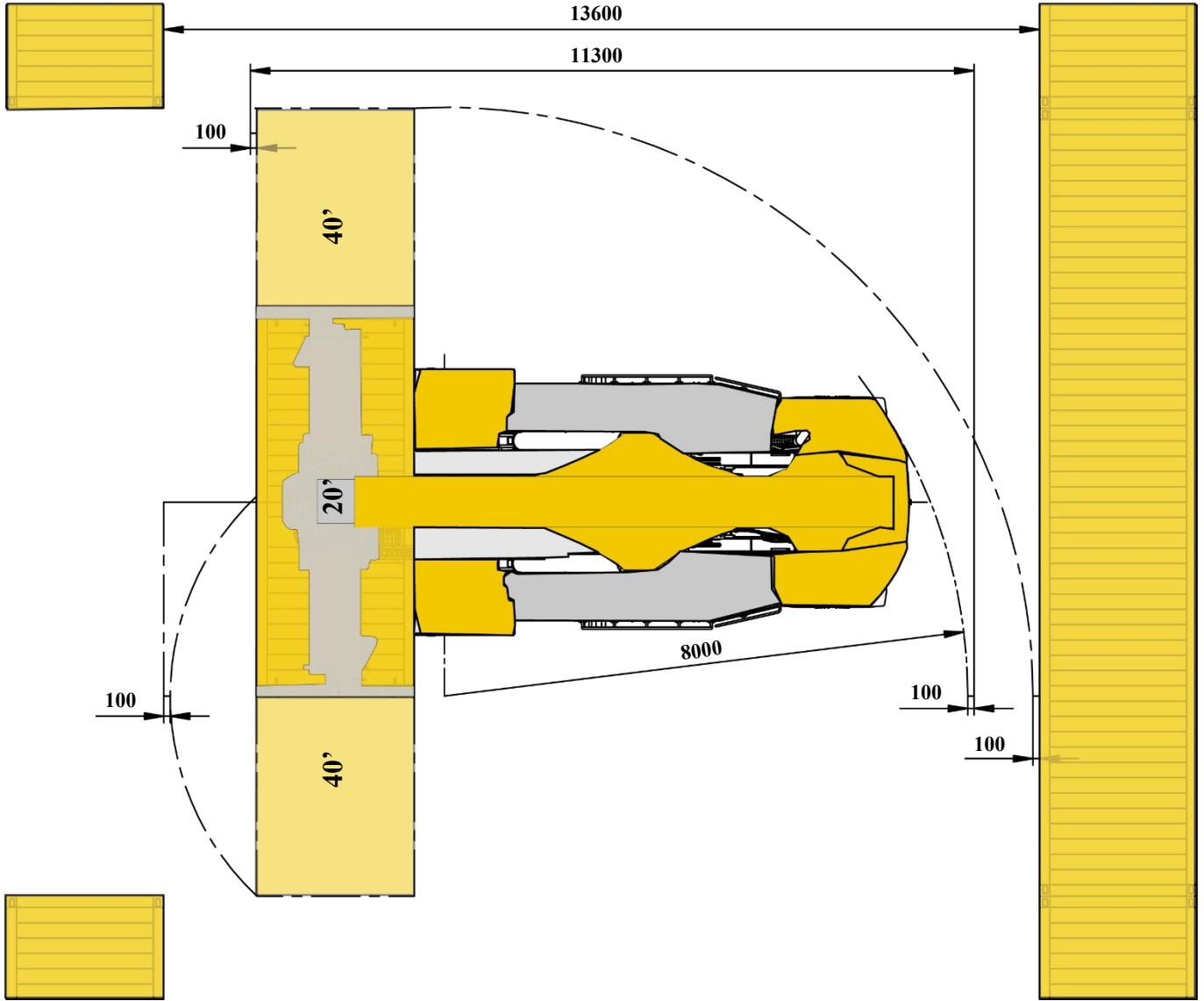
重量 Weight	3826kg
数量 Qty	1



注：以上均为单件重量，起重臂组件包含起重臂和伸缩油缸。

NOTES: All of these are single piece weight, and boom assembly include boom and telescopic cylinder.

通道宽度
Aisle width



主要技术参数

Main Technical Data

序号 No.	项目 Item	单位 Unit	参数 Parameter	允差 Tolerance	
1	长度 length	mm	11340	±2%	
2	宽度 Width	吊具 Spreader	mm	6053	±2%
3		前轮 Front wheel	mm	4200	±2%
4	高度 Height	mm	4670	±2%	
5	轴距 Wheelbase	mm	6000	±1%	
6	轮距 Trace	前 Front	mm	3033	±1%
7		后 Rear	mm	2790	±1%
8	悬距 Overhang	前 Front	mm	840	±1%
9		后 Rear	mm	1194	±1%
10	最小离地间隙 Min. ground clearance	mm	350	±1%	
11	最小转弯半径 Min. turning radius	mm	8000	≤102%	
12	最大牵引力 Max. drawbar pull	kN	380	≥90%	
13	最大爬坡能力 Max grade ability	%	33%	≥90%	
14	自重 Dead weight	kg	71200	±3%	
15	额定起重量 Rated lifting capacity	kg	45000	——	
16	堆高能力 Stacking capacity	——	5-5-4	——	
17	最大起升高度 Max. lifting height	mm	15100	±1.5%	
18	最大起升速度 Max. lifting speed	空载 Unloaded	mm/s	425	±10%
19		满载 Rated load	mm/s	250	±10%
20	最大下降速度 Max. lowering speed	空载 Unloaded	mm/s	360	±10%
21		满载 Rated load	mm/s	300	±10%
22	最大行驶速度 Max. traveling speed	空载 Unloaded	km/h	25	±10%
23		满载 Rated load	km/h	21	±10%
24	通道宽度 Aisle width	20'	mm	11300	±2%
25		40'	mm	13600	±2%

主要配套件明细表

Main parts list

序号 N0.	名称 Name	型号 Model	厂家 Manufacturer
1	吊具 (徐工) Spreader (XCMG)	XJD450	徐州徐工港口机械有限公司 Xuzhou XCMG Port Machine Co.,Ltd.
2	吊具 (Bromma) Spreader (Bromma)	RSX40	瑞典 Bromma Sweden Bromma
3	发动机 Engine	TAD1151VE	瑞典 Volvo Sweden Volvo
4	变速箱 Transmission	15.7TE30510	美国 Dana America Dana
5	驱动轴 Drive Axle	D102PL341	德国 Kessler Germany Kessler
6	油泵 Pump	P105	美国 Parker America Parker
7	主阀 Main value	M402LS-2-4092B	美国 Parker America Parker
8	伸缩油缸 Telescopic cylinder	XCS45_2.16	徐州徐工液压件有限公司 Xuzhou Hydraulic Parts Co., Ltd. XCMG
9	变幅油缸 Luffing Cylinder	XCS45_2.28	徐州徐工液压件有限公司 Xuzhou Hydraulic Parts Co., Ltd. XCMG
10	轮胎 Tire	18.00-25	贵州轮胎股份有限公司 Guizhou Tyre Co., Ltd. 杭州中策橡胶有限公司 Hongzhou Zhongce Rubber Co., Ltd.
11	司机室 Cab	XCS4531K.03	扬子钣金有限公司 Hubei Qixing Cabin Manufacturing Co., Ltd.
12	散热器 Radiator	XCS4531K.48	艾克奇散热器 AKG Thermal Systems(Taicang) Co.,Ltd

注意事项

Notes

1. 本手册仅供参考，所有信息均仅供说明，不应依赖它去操作集装箱正面吊，车辆的正确操作说明请参见操作手册。
2. 集装箱正面吊属于非道路车辆，车辆的行驶需遵守当地的交通规则和法规要求。车辆长途转移时，必须使用其它车辆拖运，同时考虑车辆的总重、轴荷和轮廓尺寸的限制要求。
3. 集装箱正面吊必须在坚实的地面上工作，地面坡度不得大于3%。
4. 集装箱正面吊作业时，风力不得大于6级。在有风条件下作业时，必须认真观察和注意风速、设备状态及作业环境等各个方面。另外，必须考虑到地面与高空，平地与街道地区的风速有很大差别。

1. All information in the brochure is provided for reference only. Never rely on it to operate the machine. Refer to the operation manual for operation instructions of the machine.
2. Container reach stacker belong to off-road machines. Local traffic rules and regulations must be observed. For long-distance job site transfer, use a trailer and take GVW, axle load and dimensions of the machine into consideration.
3. The machine must be operated on firm ground, which gradient does not exceed 3%.
4. Operation of the machine is permissible only when the wind force is below grade 6.
When operating the machine under wind, it is necessary to observe wind speed, equipment status and operating environment. In addition, the wind velocity on the ground is different with that in the high air, and it is also different on flat ground and in city air, which shall be taken into account.



地址：中国江苏徐州市铜山路165号

Add : No.165 Tongshan Road Xuzhou Jiangsu China

电话(Tel) : +86-516-83462242/83462350

质量监督电话(Quality Inquiry Tel) : +86-516-87888268

备件电话(Spare Parts Tel) : +86-516-83461542

邮编(Post Code) : 221004

网址(Web) : www.xcmg.com

服务热线 Service Tel

400-110-9999

400-001-5678



本印刷品不属于合同。出于产品不断改进的需要，我们保留对产品型号、参数、配置进行变更的权利，恕不另行通知。图片仅供参考，具体产品以实物为准。图片中产品可能并非标准配置，部分部件可能需要另行购置。办理牌照和上路行驶需遵守当地法规。

This print does not belong to the contract. We reserve the right to modify the design (such as product model, parameters and configuration) without notice for improvement. The pictures are just for reference. The product in the picture may not be standard configuration. Some parts need to be purchased separately. Conform to the local laws for license application and road traveling.