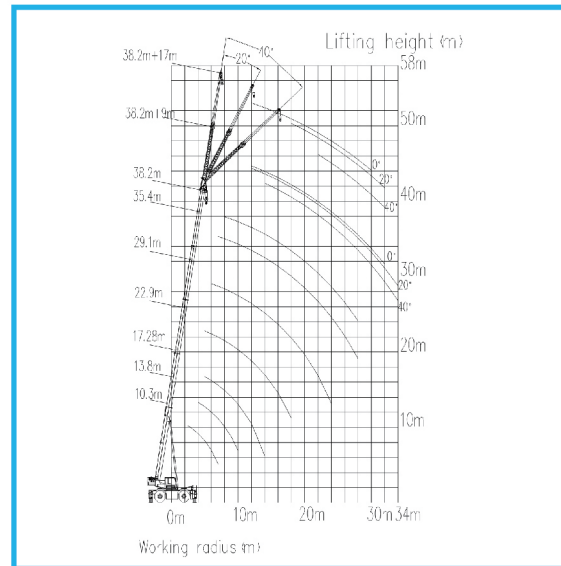


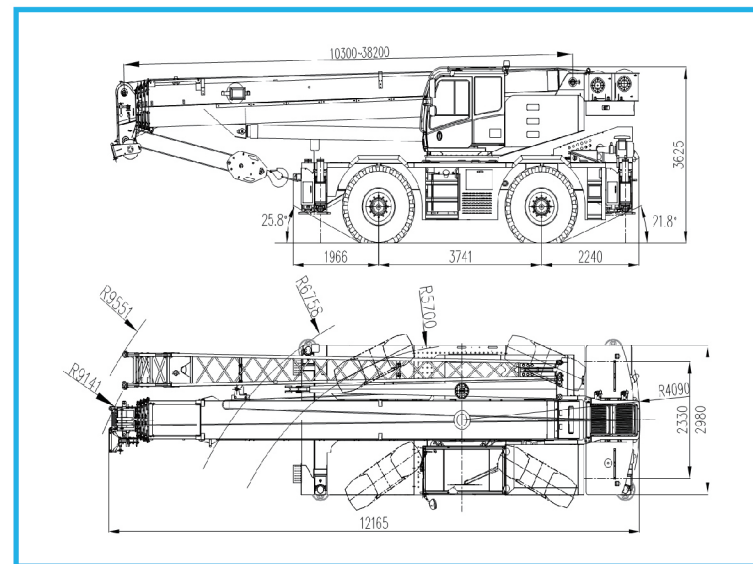
RT50

Rough terrain crane

Lifting operation range



Overall dimensions (driving)



RT50 Rough Terrain Crane Load Charts

Unit: t

With 6t of counterweight, on fully-extended outriggers, 360° operation of the boom

R/L (m)	10.3	13.8	17.28	22.9	29.1	35.4	38.2
3.0	50						
4.0	42	36.0					
5.0	34.5	30.5	25.0	22			
6.0	28	24.5	24.0	21.3	16		
7.0	22	21.0	21.0	20.9	15.5	12	
8.0		18.2	18.5	19.9	14.6	11.8	8.5
9.0		15	15	16.2	14.3	11.5	8.5
10.0		12.1	12	13.2	13.2	10.4	8.1
12.0			8.2	9.2	9.9	7.8	7.8
14.0			5.7	6.8	7.4	6.1	7.5
16.0				5.1	5.7	4.9	6.2
18.0				3.9	4.5	3.9	5
20.0					3.5	3.1	4
22.0					2.8	2.5	3.3
24.0					2.2	2	2.7
26.0						1.6	2.2
28.0						1.3	1.7

Parameter configurations

Max. rated lifting capacity	50t
Min. rated working radius	3m
Max. travel speed	37km/h
Total mass, (including optional parts)	38565kg
Front axle load	18703kg
Rear axle load	19862kg
Min. turning radius	5.7(4 wheels),9.2 (2 wheels)
Main Boom	five-section, double-cylinder plus rope principle
Base boom length	10.3m
Fully-extended boom length	38.2m
Time for boom extending fully	140s
Elevating angle	-1.5° ~ 80°
Time for boom raising	70s
Jib	2-section side-mounted jib
Jib offset angle	0°, 20°, 40°
Jib length	9m, 17m
Main winch	Hydraulic motor drive, built-in planetary gear reducer and normally closed brake and anti-torsion wire rope.
Single line pull	44kN
Hoisting speed	130m/min
Auxiliary winch	Hydraulic motor drive, built-in planetary gear reducer and normally-closed brake, as well as torsion-proof wire ropes
Single line pull	44kN
Hoisting speed(at 4th layer, no load)	130m/min(Layer 4)
Hydraulic system	Lifting operation part adopts the electronically controlled pilot control system, the pilot valve adopts the electric proportional control valve, the pilot valve handle movement angle and the main operating valve element opening displacement are proportional to the input current, the main operating valve element displacement is proportional to the movement speed of the motor, cylinder and other actuators, and the whole machine has a good fretting property. Hydraulic oil tank capacity: 720 liters.
Load Moment Limiter	Hirschmann force limiter system adopting advanced microprocessor technology. Small power consumption, strong function, high sensitivity and user-friendly control. Large-screen LCD displaying the percentage of torque, actual lifting capacity, rated lifting capacity, range, boom length, angle, maximum lifting height, working condition code, magnification, angle limitation, information code and other lifting operation parameters in English and graph. Have complete pre-alarm and overload stop function as well as the overload memory function (black box) and fault self-diagnosis function.
Outrigger System	Four independent horizontal beams and vertical jacks with integral holding valves, each independently controlled from cab.
Outrigger span	Longitudinal: 7m Lateral(fully/half extended): 7m/5.6m
Driving type	4 x 2 (FWD), 4 x 4
Engine	US Cummins QSB6.7, inline six-cylinder, water cooling, turbocharged inter-cooling and compression ignition diesel engine
Rated power/speed	149kW/2100r/min
Maximum torque/speed	740Nm/1500r/min
Engine emission standard	off-road, U.S.EPA Tier 3/EU Stage IIIA
Transmission	German ZF 6WG160 gearbox 6-Speeds forward and 3-Speeds reverse Automated manual, 2 manipulation modes
Drive axle	Germany Kessler heavy duty drive axle with large carrying capacity and high reliability.
Tires	4×23.5R25 radial tires
Fuel tank capacity	300L



All Rights Reserved

Materials and specifications are subject to change without notice. Featured machines in photos may include additional equipment. See your XCMG dealer for available options.

"XCMG", "WWW.XCMG.COM", "XCMG For Your Success", as well as the corporate and product identity used herein, are trademarks of XCMG and may not be used without permission.



RT50

Rough terrain crane

Официальный дилер спецтехники XCMG в России
+7 (495) 641-80-47
info@techno-xcmg.ru

Официальный дилер спецтехники XCMG в России
+7 (495) 641-80-47
info@techno-xcmg.ru

Официальный дилер спецтехники XCMG в России
+7 (495) 641-80-47
info@techno-xcmg.ru

Официальный дилер спецтехники XCMG в России
+7 (495) 641-80-47
info@techno-xcmg.ru

Официальный дилер спецтехники XCMG в России
+7 (495) 641-80-47
info@techno-xcmg.ru

Официальный дилер спецтехники XCMG в России
+7 (495) 641-80-47
info@techno-xcmg.ru



www.xcmg.com

XCMG Regional Departments:

Europe	(+86-516) 87739238 87739271 87739228	Central Asia	(+86-516) 87739218 87739239 87739510
West Asia & North Africa	(+86-516) 87739251 87739202 87739223	North America	(+86-516) 87739285 87739551 87739713
Asia-Pacific	(+86-516) 87739500 87739529 87739233	South America	(+86-516) 87739196 87739714 87739187
Africa	(+86-516) 87739501 87739222 87739709		

XUZHOU CONSTRUCTION MACHINERY GROUP IMP. & EXP. CO., LTD

Add: No.1, Tuolanshan Road, Xuzhou Economic Developing Zone, Jiangsu, China 221004

Fax: (+86-516) 87739230

E-mail: export@xcmg.com