



徐工徐工 助您成功
XCMG FOR YOUR SUCCESS

XGTC130

CRAWLER CRANE
履带起重机



地址(Add): 中国江苏省徐州市金山桥经济开发区桃山路19号 邮编(Postal Code): 221004
No.19 Taoshan Road, Economic development zone of jinshanqiao, Xuzhou, Jiangsu Province, China
统一服务热线(Unified service hotline): 86 400-110-9999

销售热线Sales Hotline
销售电话(Sale Tel): 86 0516-87892094
销售传真(Sale Fax): 86 0516-87892074
电子邮件(E-mail): jjyxd@xcmg.com
服务质量投诉电话
(Quality Supervision Tel): 86 0516-87892587

服务热线Service Hotline
服务电话(Service Tel): 86 400-001-5678
服务传真(Service Fax): 86 0516-87892080
备件电话(Service Tel): 86 0516-87892086
备件传真(Service Fax): 86 0516-87892083



欢迎访问徐工商城
省心更省钱一站式



欢迎关注徐工履带起重机官方微信
1. 直接扫码“XCMG_xgj”增加好友。
2. 查找公众账号“徐工履带起重机”
3. 直接扫描上方二维码

—2022年1月版—

注: 出于产品不断改进的需要, 我们保留对产品型号、参数、配置进行变更的权力, 恕不另行通知。



CONTENTS

目录

P02	<ul style="list-style-type: none">产品概况 Product introduction整机主要尺寸参数 Overall crane dimension主要技术参数 Main Technical Parameters
P07	<ul style="list-style-type: none">主臂工况起重性能 Lifting capacity tables in boom working conditions副臂工况起重性能 lifting performance of fixed jib
P13	<ul style="list-style-type: none">运输方案 Transport plans

02

XGTC130履带起重机

P03-P04	产品概况 Product introduction
P05-P05	整机主要尺寸参数 Overall crane dimension
P06-P06	主要技术参数 Main Technical Parameters

产品概况 Product introduction

上车部分/Superstructure

发动机/Engine

配置潍柴 WP10 发动机, 排放满足非道路国三要求, 及欧洲排放三阶段要求(EU StageIII), 额定功率 / 转速: 247kW/1900rpm, 功率富余量大, 更适合基础施工泥泞路况。

Equipped with Weichai WP10 engine, the emission meets the requirements of non-road national III and European emission stage III (EU stage III). Rated power/speed: 247KW/1900rpm, with large power surplus, which is more suitable for muddy road conditions of foundation construction.

起升机构/Hoisting mechanism

起升机构描述:
空载起升速度: 0 ~ 135m/min。
主副卷钢丝绳直径: 22mm, 单绳拉力行业最大, 可达 11.1t(副卷 10t)。

Description of hoisting mechanism:
Empty load hoisting speed: 0 ~ 135m/min.
Main and auxiliary wire rope diameter: 22mm, Single line pull is the largest in the industry, reaches 11.1t(auxiliary winch 10t).

变幅机构/Luffing mechanism

变幅机构描述: 单缸前支变幅
主臂起臂时间 ≤ 65s。

Description of luffing mechanism: single cylinder front support luffing
Boom raising time ≤ 65s.

回转机构/Slewing mechanism

行星减速机, 由马达驱动, 与回转支承外啮合齿轮进行回转, 匹配全新设计回转缓冲阀, 启停更平稳。
回转支承: 承载能力强, 保证上车 360° 回转作业安全、平稳。
回转速度: 0 ~ 1.7r/min

The planetary reducer is driven by a motor and rotates with the external meshing gear of the slewing ring. It is matched with the newly designed slewing buffer valve to make the start and stop more stable.
Slewing ring: with strong bearing capacity, it can ensure the safety and stability of 360° slewing operation on the superstructure.
Slewing speed: 0 ~ 1.7r/min

电气控制系统/Electrical control system

系统采用威卡集成控制系统, 系统由发动机控制、安全控制、先导控制、力矩限制器控制、辅助功能控制等几部分组成。
控制系统标配轨距检测、虚拟墙、远程管理功能, 产品智能化、极限工况安全性高; CAN-bus 传输, 显示器界面查询端口状态(监控所有总线传感器), 更易排查故障。
标配卷扬、转台后尾监视系统, 提升操作舒适性、安全性。

The system adopts Weika integrated control system, which is composed of engine control, safety control, pilot control, load moment limiter control, auxiliary function control and so on.
The control system is equipped with gauge detection, virtual wall and remote management functions as standard, with intelligent products and high safety under extreme working conditions; CAN-bus transmission, the display interface query port status (monitors all bus sensors), which makes it easier to troubleshoot.
Winch and rear turntable monitoring system are equipped as standard to improve operation comfort and safety.

液压系统/Hydraulic system

电比例负载敏感主系统 + 闭式回转系统制系统, 配置独立的大功率冷却器, 大容量液压油箱, 更适合基础施工工况, 保证系统工作温度稳定。
关键配套件采用进口一线品牌(林德主泵 ++ 布赫平衡阀), 产品可靠性高。

Electric proportional load sensitive main system + closed slewing system, equipped with independent high-power cooler and high-capacity hydraulic oil tank, which is more suitable for foundation construction conditions and ensure the stability of system working temperature.
Key accessories are imported first-line brands (Linde main pump ++ Bucher balance valve), with high product reliability.

吊钩/Hook block

名称 Name	130t 吊钩 130t hook	75t 吊钩 75t hook	11t 吊钩 11t hook
重量(Kg) Weight(Kg)	1015	653	265
数量 Qty.	1	1	1

平衡重/Counterweight

转台平衡重由 1 块 15t、2 块 5t 平衡重和 2 块 4.5t 平衡重组成; 转台平衡重具有 4 种组合, 详见下表:

The turntable counterweight is composed of one 15t, two 5t and two 4.5t counterweight slabs; The turntable counterweight has four combinations. See the following table for details:

转台平衡重装配组合:

Turntable balance reassembly combination:

序号 No.	转台平衡重重量 (t) Turntable counterweight (t)	转台平衡重组合方式 Combinations of turntable counterweight
1	0	0 (counterweight not installed)
2	15	15
3	25	15+5+5
4	34	15+5+5+4.5+4.5

下车部分/Undercarriage

履带伸缩/Crawler track telescoping

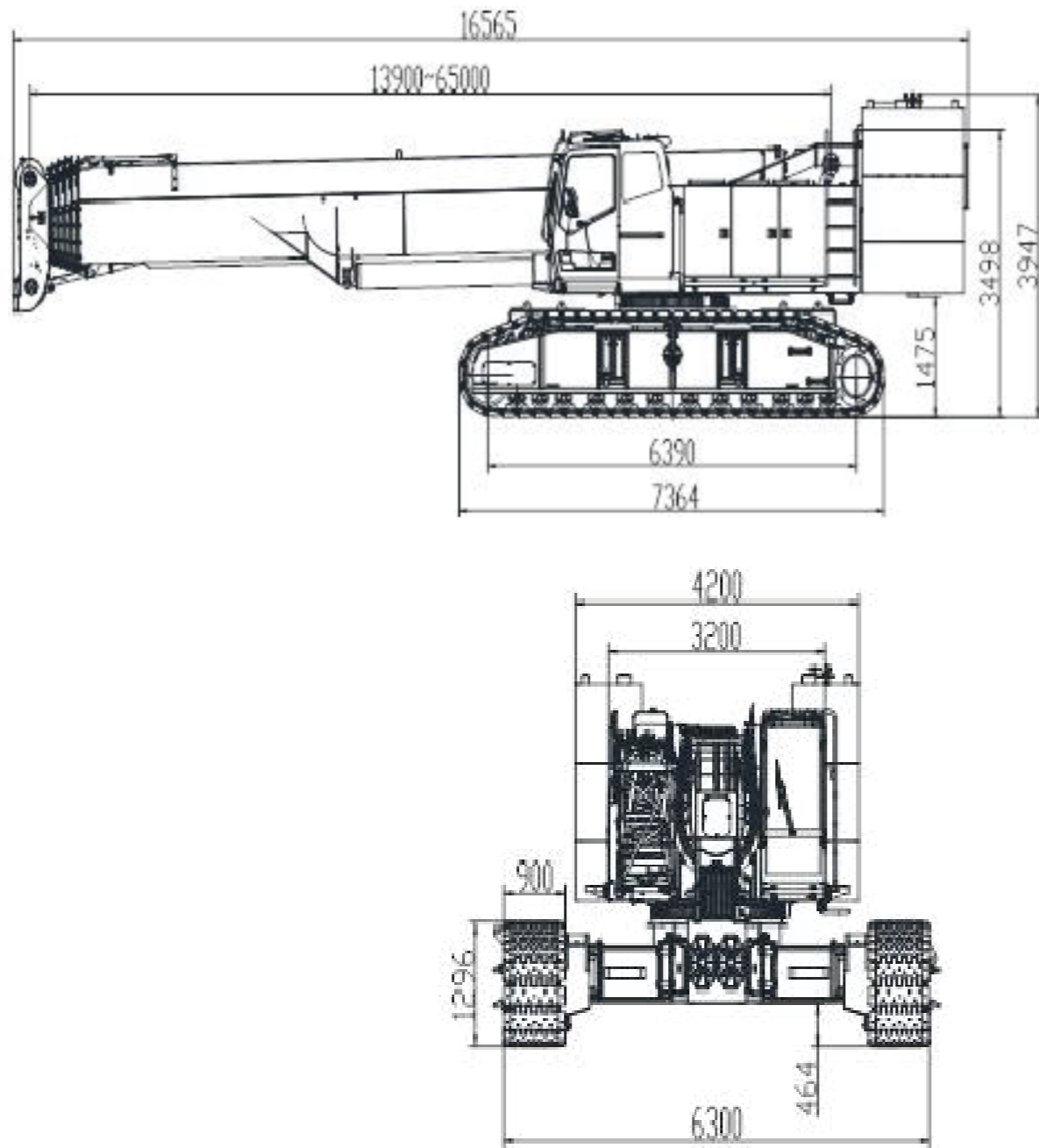
通过履带伸缩油缸实现履带梁的扩张与收缩, 方便转场及狭窄环境通过。
The expansion and contraction of the crawler track is realized through the track telescopic oil cylinder, which is convenient for transfer and narrow environment.

行走装置/Travel device

由行走马达、减速机、驱动轮来实现整机的直线行走及转弯。行驶速度为 0 ~ 1.63km/h; 爬坡能力 45%。
The straight-line travelling and turning of the whole machine are realized by travel motor, reducer and driving wheel. The driving speed is 0 ~ 1.63km/h; The gradeability is 45%.

整机主要尺寸参数
Overall crane dimension

XGTC130型履带起重机外形尺寸
XGTC130 crawler crane outline dimension



注：拆掉转台配重，整机最大高度3.498m

Notes: the maximum height of overall crane is 3.498m after turntable is removed.

主要技术参数
Main Technical Parameters

参数 Parameters		单位 Unit	数值 Data
起重性能参数 Lifting performance	最大额定起重量 Max. rated lifting capacity	主臂 Main boom	t 130
		副臂 Jib	t 7.4
	最大起重力矩 Max. lifting moment		t.m 486
	臂架长度 Boom length	主臂 Main boom	m 13.9-65(六节 six sections)
		副臂 Jib	m 11/18.5 (二节 two sections)
最长组合 Longest combination		m 83.5 (65+18.5)	
重量参数 Weight	整机重量 Crane weight	t 122.5	
	主机运输重量(含履带梁、副臂、吊钩) Transport weight of basic crane (with crawler tracks, jib, hook)	t 51.6	
	接地比压 Ground pressure	Mpa 1.035	
尺寸参数 Dimension	最大件运输尺寸(含履带梁) Transport dimension of max. single unit (with crawler tracks)	m 16.6 × 3.99 × 3.498	
	整机外形尺寸 Outline dimension of the crane	m 16.6 × 6.3 × 3.947	
	最小回转半径 Min. slewing radius	m 5.3	
	直径/单绳拉力 Diameter/single line pull	mm/t Φ22/11.1 (副卷 Aux. winch Φ22/10)	
钢丝绳 Wire rope	起升速度 Hoisting speed	主卷 Main winch	m/min 135
		副卷 Aux. winch	m/min 135
速度参数 Speed	回转速度 Slewing speed	r/min 1.7	
	行走速度 Travel speed	km/h 1.63	
	爬坡能力 Gradeability	% 45	
	发动机品牌 Engine brand	/ 潍柴 Weichai	
	功率/额定转速 Power/ rated revolutionspeed	kW/rpm 247/1900	
动力系统 Power system	最大扭矩/转速 Max. torque/revolution speed	Nm/(r/min) 1550/ (1100~1400)	
	燃油箱容积 Fuel oil tank	L 520	
	排放标准 Emmission standard	/ 欧 III	

主臂工况起重性能
Lifting capacity tables in boom working conditions

07

XGTC130履带起重机

P08-P10 主臂工况起重性能
 Lifting capacity tables in boom working conditions

P11-P12 副臂工况起重性能
 lifting performance of fixed jib

履带全伸，转台平衡重34t，中央平衡重10t，履带静止，360° 作业

Crawler tracks are fully extended, turntable counterweight 34t, car-body counterweight 10t, static crawler tracks, 360° working

幅度Radius (m)	臂架长度Boom length (m)												
	13.9	18.6			23.3			28		32.7			
3	130*												
3.5	125	68.8	98.0	98.0									
4	115	65.4	97.5	97.5	70.5	93.0	93.0						
4.5	105	62.4	95.0	95.0	67.6	89.0	89.0	71.3	83.0	83.0			
5	97.0	59.7	93.0	93.0	64.7	85.0	85.0	68.6	80.0	80.0			
6	81.0	54.7	78.6	77.7	60.5	78.0	77.1	64.0	73.0	73.0	53.1	66.5	70.0
7	67.1	50.5	64.8	64.0	56.2	64.8	63.5	59.8	64.8	64.2	48.3	62.8	64.0
8	56.7	47.4	55.1	54.3	52.5	55.1	53.7	56.4	55.1	54.5	44.4	57.0	55.4
9	48.8	44.3	47.6	46.9	49.6	47.6	46.3	49.8	47.6	47.0	40.6	49.5	47.9
10	42.5	41.5	41.8	41.0	43.7	41.8	40.5	43.9	41.8	41.2	37.5	43.6	42.0
12		34.2	33.1	32.4	35.0	33.1	31.9	35.2	33.1	32.6	32.8	34.9	33.2
14		27.7	26.5	25.6	28.7	26.5	25.1	28.9	26.5	25.9	28.8	28.4	26.8
16					23.5	21.4	20.0	23.7	21.4	20.8	23.8	23.3	21.7
18					19.6	17.5	16.2	19.8	17.6	17.0	19.9	19.5	17.9
20								16.8	14.6	14.1	17.0	16.5	14.9
22								14.5	12.3	11.7	14.6	14.2	12.6
24											12.7	12.3	10.7
26											11.1	10.7	9.2
组合Combination	00000	00001	00100	01000	00011	01100	11000	00111	02100	11100	00211	01111	11110
倍率Parts of line	12	12			10			8		7			

主臂工况起重性能 Lifting capacity tables in boom working conditions

履带全伸，转台平衡重34t，中央平衡重10t，履带静止，360° 作业

Crawler tracks are fully extended, turntable counterweight 34t, car-body counterweight 10t, static crawler tracks, 360° working

幅度Radius (m)	臂架长度Boom length (m)											
	37.4			42.1			46.8			51.5		
6												
7	56.4	63.0	58.4									
8	52.0	54.4	52.4	39.3	51.7	50.2						
9	48.0	47.6	45.8	37.1	45.4	44.9	29.2	38.3	40.0			
10	42.8	42.2	40.4	35.2	40.4	39.9	27.7	36.3	38.2	26.0	30.4	31.4
12	33.8	33.3	31.9	31.8	32.4	32.0	25.2	31.7	31.0	23.8	28.1	29.3
14	27.5	27.0	25.6	27.1	26.2	25.9	22.9	25.8	25.1	22.0	24.7	24.7
16	22.9	22.5	21.1	22.6	21.8	21.4	21.0	21.5	20.8	20.5	21.3	20.5
18	19.2	18.8	17.4	19.2	18.4	18.1	19.1	18.2	17.6	18.7	18.1	17.3
20	16.3	15.8	14.5	16.5	15.7	15.3	16.5	15.6	15.0	16.2	15.6	14.8
22	13.9	13.5	12.2	14.2	13.4	13.0	14.4	13.5	12.9	14.1	13.5	12.8
24	12.0	11.6	10.3	12.3	11.5	11.1	12.6	11.7	11.0	12.5	11.8	11.1
26	10.5	10.0	8.7	10.7	9.9	9.5	11.0	10.1	9.5	11.1	10.4	9.7
28	9.1	8.7	7.4	9.4	8.6	8.2	9.7	8.8	8.2	9.8	9.1	8.4
30	8.0	7.6	6.3	8.2	7.5	7.1	8.6	7.6	7.0	8.6	8.0	7.2
32				7.3	6.5	6.1	7.6	6.7	6.1	7.6	7.0	6.3
34				6.4	5.6	5.3	6.7	5.8	5.2	6.8	6.1	5.4
36							6.0	5.0	4.5	6.0	5.4	4.7
38							5.3	4.4	3.8	5.3	4.7	4.0
40										4.7	4.1	3.4
42										4.2	3.6	2.9
44										3.7	3.1	2.4
组合Combination	02111	11111	21110	11112	12111	21111	11122	12211	22111	11222	12221	22211
倍率Parts of line	6			5			5			3		

履带全伸，转台平衡重34t，中央平衡重10t，履带静止，360° 作业

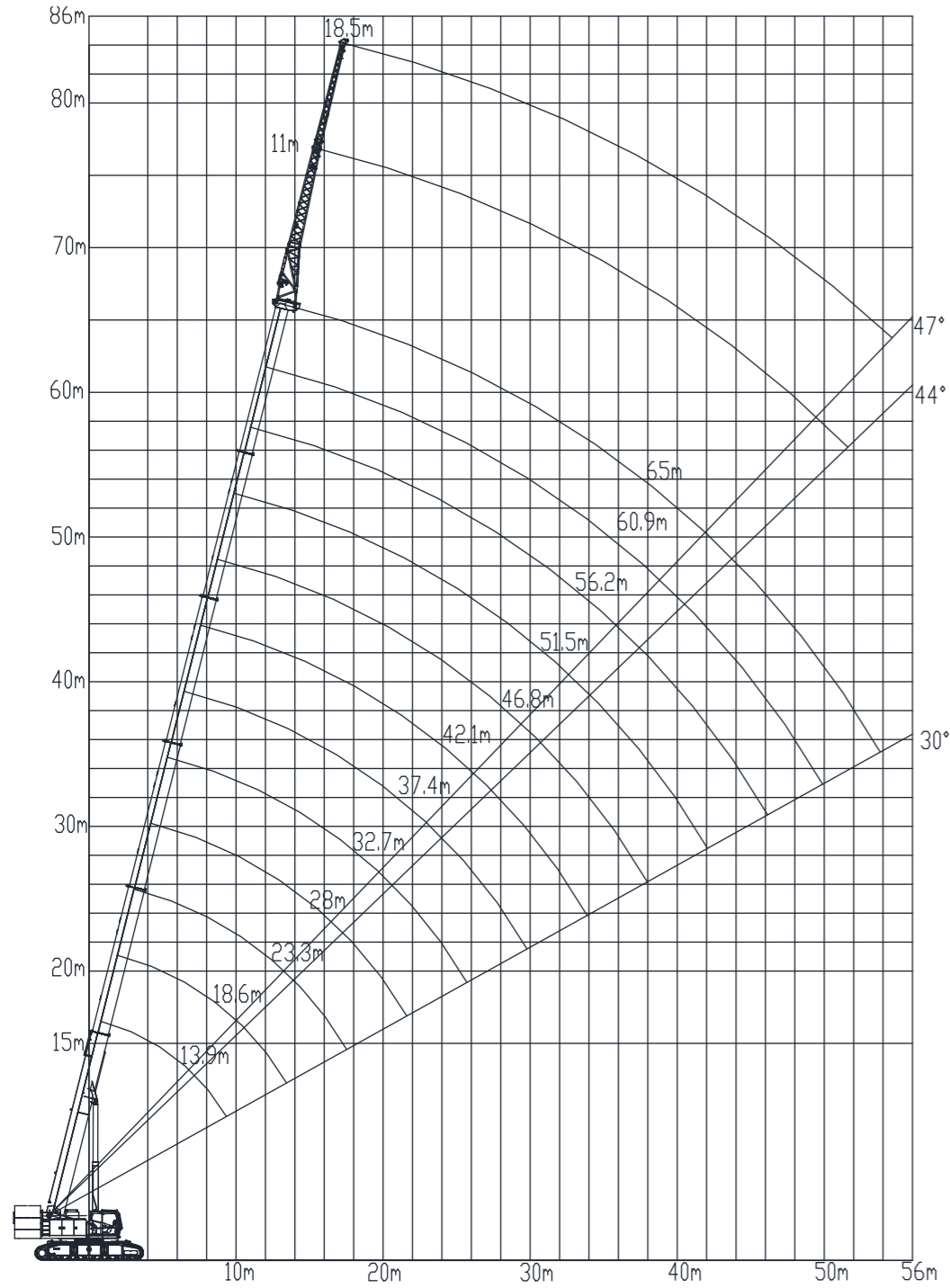
Crawler tracks are fully extended, turntable counterweight 34t, car-body counterweight 10t, static crawler tracks, 360° working

幅度Radius (m)	臂架长度Boom length (m)			
	56.2		60.9	65
10				
12	22.3	24.0		
14	21.1	22.7	19.2	15.5
16	19.4	20.1	18.2	15.4
18	17.5	17.2	16.3	14.9
20	15.6	14.8	14.8	13.5
22	13.6	12.8	12.8	12.5
24	12.0	11.1	11.2	11.0
26	10.6	9.8	9.9	9.7
28	9.4	8.6	8.8	8.6
30	8.4	7.6	7.8	7.6
32	7.5	6.6	6.9	6.8
34	6.6	5.8	6.2	6.0
36	5.8	5.0	5.4	5.4
38	5.2	4.3	4.8	4.8
40	4.6	3.7	4.2	4.2
42	4.0	3.2	3.6	3.7
44	3.5	2.7	3.2	3.2
46	3.1	2.3	2.7	2.8
48	2.7	1.9	2.3	2.4
50			1.9	2.0
52			1.6	1.7
54				1.3
组合Combination	12222	22221	22222	33333
倍率Parts of line	3		2	2

注：XGTC130具有分级配重、履带窄轨（360° 吊载作业）、副臂（含分级配重）等多种工况性能。

Note: Lifting capacity tables for various working conditions are provided for XGTC130 crawler crane, such as the lifting capacities under different counterweight combinations, narrow gauge mode of crawler tracks (360° working) and jib working conditions (different counterweight combinations).

副臂工况起重性能
lifting performance of fixed jib



履带全伸，转台配重34t，下车平衡重10t，履带静止，360° 作业

Crawler tracks fully extended, turntable counterweight 34t, undercarriage counterweight 10t, crawler tracks are in static state, 360° working range.

主臂长度m Boom length m	65						
副臂长度m Fixed jib length m	11			18.5			
幅度/副臂安装角° Radius/jib inset angle	0°	15°	30°	0°	15°	30°	幅度/副臂安装角° Radius/jib inset angle
18	7.4						18
20	7.2	5.6					20
22	7.1	5.5	4.3	3.4			22
24	7	5.3	4	3.4	2.6		24
26	6.8	5.2	3.9	3.3	2.5		26
28	6.6	5.1	3.8	3.3	2.3	1.6	28
30	6.5	4.9	3.6	3.3	2.32	1.5	30
32	6.1	4.8	3.5	3.2	2.1	1.4	32
34	5.4	4.7	3.4	3.2	2	1.4	34
36	4.8	4.7	3.3	3	1.9	1.4	36
38	4.2	4.6	3.2	2.9	1.7	1.3	38
40	2	4	3.1	2.8	1.6	1.3	40
42	3.3	3.6	3	2.6	1.5	1.3	42
44	2.9	3.2	3	2.5	1.5	1.3	44
46	2.6	2.8	2.9	2.2	1.5		46
48	2.2	2.4	2.6	1.9	1.4		48
50	1.9	2.1	2.3	1.6	1.4		50
52	1.6	1.8	2	1.4	1.4		52
54			1.6		1.4		54
主臂组合 Boom combination	333333						主臂组合 Boom combination

13

XGTC130履带起重机

P14-P17 运输方案
Transport plans

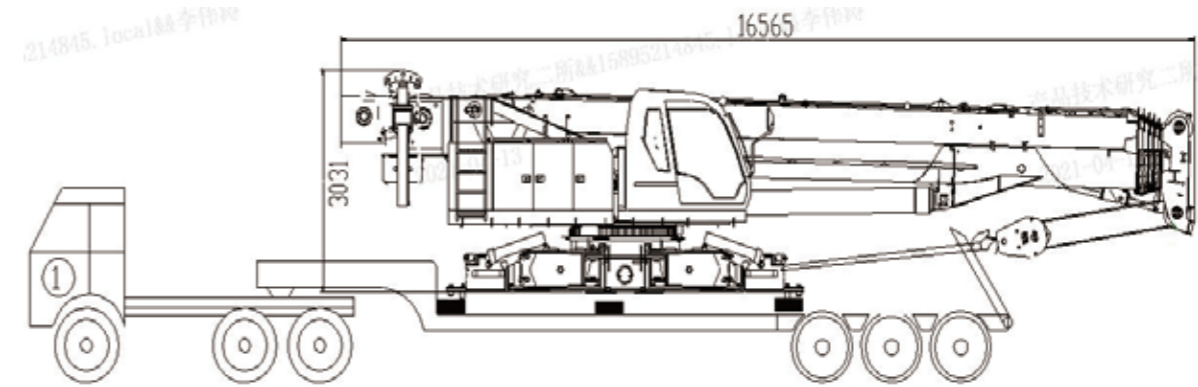
运输方案 Transport plans

A、运输方案一（主机拆履带梁运输）

A. Transport plan I (crawler tracks are removed)

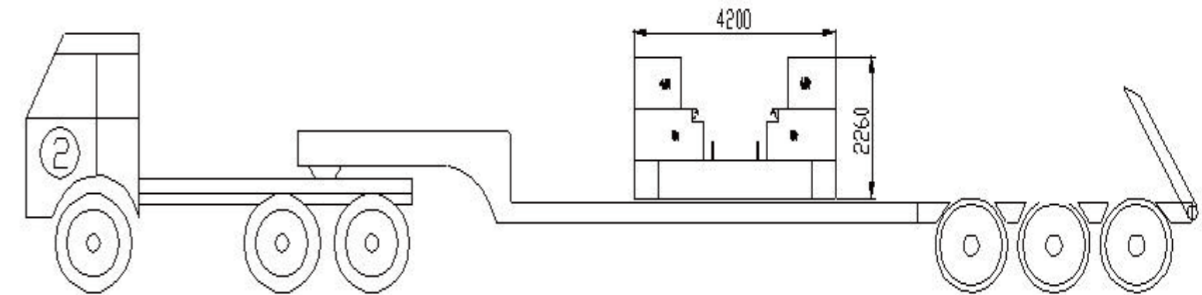
第1台运输车：重量51.6t，包括副臂、75t吊钩。

Transport vehicle 1: weight is 51.6t, including fixed jib and 75t hook.



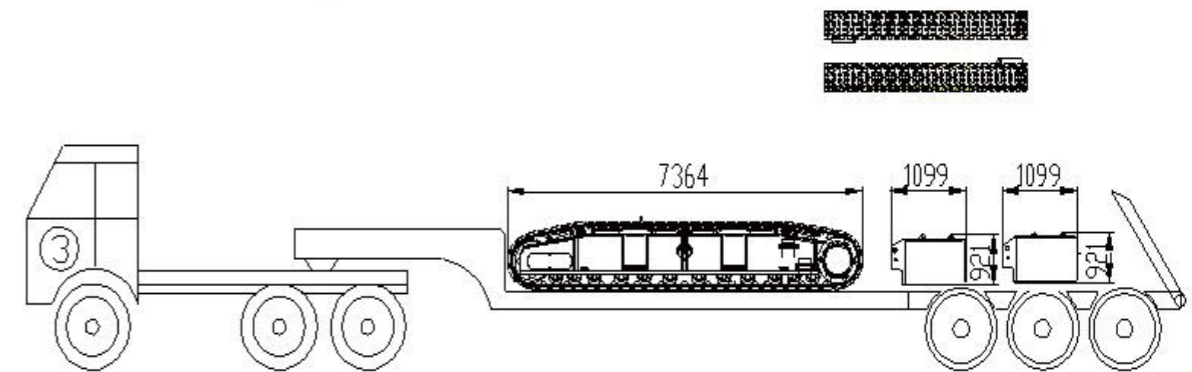
第2台运输车：重量34t（共5块转台配重，15t、5t×2、4.5t×2）

Transport vehicle 2: weight is 34t (totally 5 counterweight blocks, 15t, 5t×2, 4.5t×2)



第3台运输车：重量35.7t（履带梁12.8t×2，下车配重5t×2）

Transport vehicle 3: weight is 35.7t (crawler tracks 12.8t×2, undercarriage counterweight 5t×2)

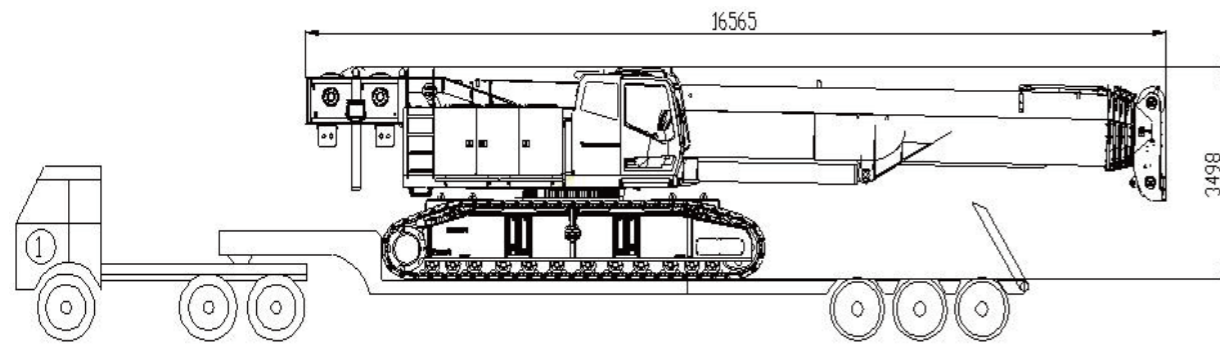


B、运输方案二（主机带履带梁运输）

B. Transport plane II (crawler tracks are installed on the basic machine)

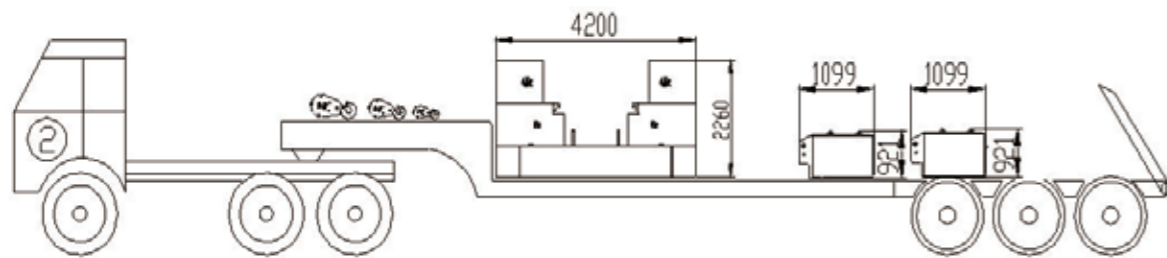
第1台运输车：重重76.6t，包括副臂

Transport vehicle 1: weight is 76.6t, including fixed jib.



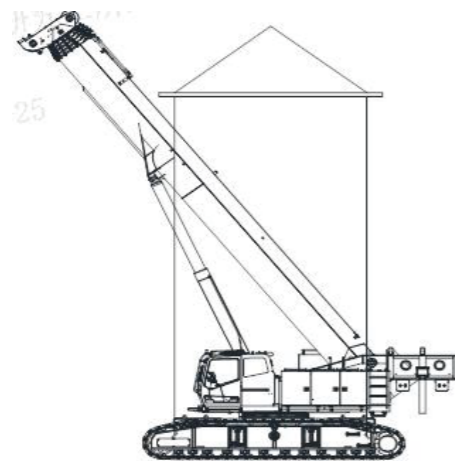
第2台运输车：重重45.93t，含下车配重5t×2，转台配重34t（15t、5t×2、4.5t×2），吊钩1.93t（130t、75t、11t共3种规格）。

Transport vehicle 2: weight is 45.93t, including undercarriage counterweight 5t×2, turntable counterweight 34t (15t, 5t×2, 4.5t×2), hook 1.93t (130t, 75t, 11t, totally 3 kinds).



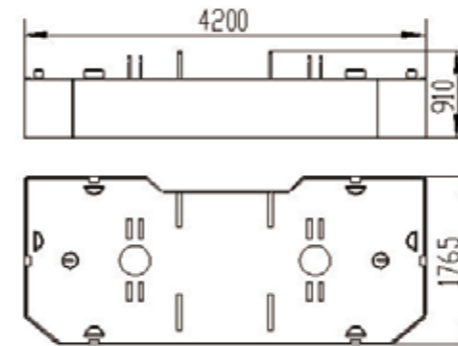
注：第一台运输车中的主机采用“滚装船”以外的货船运输时，可以按照以下方案吊装：

When the basic crane in the first transport vehicle is transported by a cargo ship rather than “ro-ro ship”, it can be lifted according to the following scheme:

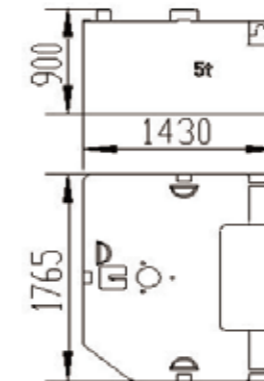


注：转台配重运输参数如下：

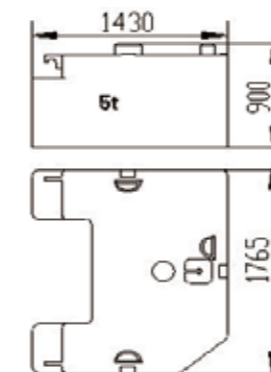
Notes: turntable counterweight transporting parameters are as follows:



- ① 配重托盘I尺寸，重量15t，数量1
- ① Counterweight tray I, weight is 15t, one piece.



- ② 配重块II 5t，数量1
- ② Counterweight block II, weight is 5t, one piece.



- ③ 配重块III 5t，数量1
- ③ Counterweight block III, weight is 5t, one piece.

